

Owner's Manual  
Instrukcja obsługi  
Návod k použití  
Navodila za uporabo  
Használati útmutató  
Upute za upotrebu  
Lietošanas instrukcija

Instrucțiune de deservire  
Инструкция за употреба  
Οδηγίες χρήσης  
Kasutusjuhend  
Naudojimo instrukcijos  
Užívateľská príručka



*Enjoy it.*

CD Boombox



## IMPORTANT SAFETY INSTRUCTIONS

**CAUTION**

RISK OF ELECTRIC SHOCK  
DO NOT OPEN

### Important Safety Instructions

#### Caution:

To reduce the risk of electric shock, do not remove cover (or back). No user serviceable parts inside. Refer servicing to qualified service personnel.

### Explanation of Graphical Symbols:



The lightning flash within an equilateral triangle is intended to alert you to the presence of uninsulated dangerous voltage within the product's enclosure that may be of sufficient magnitude to constitute an electric shock to a person or persons.



The exclamation point within an equilateral triangle is intended to alert you to the presence of important operating and maintenance (servicing) instructions in the literature accompanying the product.

To achieve the utmost in enjoyment and performance, and in order to become familiar with its features, please read this manual carefully before attempting to operate this product. This will assure you years of trouble free performance and listening pleasure.

### Important Notes

- This safety and operating instruction should be retained for future reference.
- The apparatus should not be exposed to dripping or splashing or placed in a humid atmosphere such as a bathroom.
- Do not install the product in the following areas:
  - Places exposed to direct sunlight or close to radiators.
  - On top of other stereo equipment that radiate too much heat.
  - Blocking ventilation or in a dusty area.
  - Areas where there is constant vibration.
  - Humid or moist places.
- Do not place near candles or other naked flames.
- Operate the product only as instructed in this manual.
- Before turning on the power for the first time, make sure the power adaptor is properly connected.
- Plug-in the USB stick directly or use an USB-extension cable which is not longer than 25 cm.

For safety reasons, do not remove any covers or attempt to gain access to the inside of the product. Refer any servicing to qualified personnel.

Do not attempt to remove any screws, or open the casing of the unit; there are no user serviceable parts inside. Refer all servicing to qualified service personnel.

## SAFETY INSTRUCTIONS

1. **Read Instructions** - All the safety and operating instructions must be read before the product is operated.
2. **Retain Instructions** - The safety and operating instructions should be kept with the product for future reference.
3. **Heed warnings** - All warnings on the product and in the operating instructions should be adhered to.
4. **Follow instructions** - All operating and users' instructions should be followed.
5. **Installation** - Install in accordance with the manufacturer's instructions.
6. **Power sources** - This product should be operated only from the type of power source indicated by the marking adjacent to the power cord entry. If you are not sure of the type of power supply to your home, consult your product dealer or local power company.
7. **Grounding or polarization** - the product is not required to be grounded. Ensure that the plug is fully inserted into the wall outlet or extension cord receptacle to prevent blade or pin exposure. Some versions of the product are equipped with a power cord fitted with a polarized alternating line plug (a plug having one blade wider than the other). This plug will fit onto the power outlet only one way. This is a safety feature. If you are unable to insert the plug fully into the outlet, try reversing the plug. If the plug should still fail to fit, contact your electrician to replace your obsolete outlet. Do not defeat the safety purpose of the polarized plug. When using an extension power-supply cord or a power-supply cord other than that supplied with the appliance, it should be fitted with the appropriate molded plugs and carry safety approval appropriate to the country of use.
8. **Power cord protection** - Power-supply cords should be routed so that they are not likely to be walked on, kinked or pinched by items placed on or against them, paying particular attention to cords from plugs, receptacles and the point where they exit from the product.
9. **Overloading** - Do not overload wall outlets, extension cords, or multiple sockets, as this can result in a risk of fire or electric shock.
10. **Ventilation** - The product must be properly ventilated. Do not place the product on a bed, sofa, or other similar surface. Do not cover the product with any items such as tablecloths, newspapers, etc.
11. **Heat** - The product should be situated away from heat sources such as radiators, heat registers, stoves, or other products, including amplifiers that produce heat. No naked flame sources, such as lighted candles, should be placed on the apparatus.
12. **Water and moisture** - To reduce the risk of fire or electric shock, do not expose the product to rain, dripping, splashing or excessive moisture such as in a sauna or bathroom. Do not use this product near water, for example, near a bathtub, washbowl, kitchen sink, laundry tub, in a wet basement or near a swimming pool (or similar).
13. **Object and Liquid Entry** - Never push objects of any kind into this product through openings, as they may touch dangerous voltage points or short-circuit parts that



could result in a fire or electric shock. Never spill liquid of any kind on the product. Do not place any object containing liquid on top of the product.

14. **Cleaning** - Unplug the product from the wall outlet before cleaning. Dust in the woofer may be cleaned with a dry cloth. If you wish to use an aerosol cleaning spray, do not spray directly on the cabinet; spray onto the cloth. Be careful not to damage the drive units.
15. **Attachments** - Do not use attachments not recommended by the product manufacturer, as they may cause hazards.
16. **Accessories** - Do not place this product on an unstable cart, stand, tripod, bracket or table. The product may fall, causing serious injury to a child or adult, and serious damage to the product. Use only with a cart, stand, tripod, bracket or table recommended by the manufacturer or sold with the product. Any mounting of the product should follow the manufacturer's instructions and should use a mounting accessory recommended by the manufacturer.
17. **Moving the product** - A product and cart combination should be moved with care. Quick stops, excessive force and uneven surfaces may cause the product and cart combination to overturn.
18. **Unused periods** - The power cord of the appliance should be unplugged from the outlet during lightning storms or when the apparatus is left unused for a long period of time.
19. **Service** - Do not attempt to service this product yourself, as opening or removing covers may expose you to dangerous voltage or other hazards. Refer all servicing to qualified service personnel.
20. Please remove the power plug from the main power source or wall power source when not in use. When plugged in to a power source, the system is in standby mode, so the power is not entirely cut off.
21. **Replacement parts** - When replacement parts are required, ensure that the service technician has used replacement parts specified by the manufacturer or have the same characteristics as the original part. Unauthorized substitutions may result in fire, electric shock or other hazards.
22. **Mains fuses** - For continued protection against fire hazard, use fuses only of the correct type and rating. The correct fuse specification for each voltage range is marked on the product.
23. Do not turn up the volume while listening to a section with very low level inputs or no audio signals. If you do, the speaker may be damaged when a peak level section is suddenly played.
24. The only means of completely disconnecting the product from the power supply is by removing the power cord from the wall outlet or the product. The wall outlet or the power cord entry to the product must remain freely accessible at all times while the product is in use.
25. Try to install the product near a wall socket or extension cord and shall be easily accessible.
26. The highest environmental temperature suitable for this product is 35°C.
27. **ESD hints** - If the product maybe reset or not reset to operation of control due to electrostatic discharge, just switch off and reconnect again, or move the product to another location.

**28. Battery**



- 1) The batteries must not be exposed to excessive heat such as sunshine, fire or the like.
- 2) The batteries should be drawn to the environmental aspects of battery disposal.
- 3) Battery usage CAUTION-to prevent battery leakage which may result in body injuries, property damage, or damage to the apparatus:
  - Install all batteries correctly, + and – as marked on the apparatus.
  - Do not mix batteries (old and new or carbon and alkaline, etc.)
  - Remove batteries when the unit is not used for a long time.


**WARNING**

This appliance is not intended for use by persons (including children) with reduced physical sensory or mental capabilities, or lack of experience and knowledge, unless they have been given supervision or instruction concerning use of the appliance by a person responsible for their safety. Children should be supervised to ensure that they do not play with the appliance.

1. Never use the device unsupervised! Switch off the device whenever you are not using it, even if this only for a short while.
2. The appliance is not intended to be operated by means of an external timer or separate remote control system.
3. If the supply cord is damaged, it must be replaced by the manufacturer, its service agent or similarly qualified persons in order to avoid a hazard.
4. Before operating this system, check the voltage of this system to see if it is identical to the voltage of your local power supply.
5. The unit should not be impeded by covering the ventilation opening with items such as newspaper, table-cloths, curtains etc. Make sure that there are at least 20 cm of space above and at least 5 cm of space on each side of the unit.
6. The apparatus must not be exposed to dripping or splashing and that objects filled with liquids, such as vases, must not be placed on the apparatus.
7. To prevent fire or shock hazard, do not expose this equipment to hot places, rain, moisture or dust.
8. Do not locate this unit near any water sources e.g. taps, bathtubs, washing machines or swimming pools. Ensure that you place the unit on a dry, stable surface.
9. Do not place this unit close to a strong magnetic field.
10. Do not place the unit on an amplifier or receiver.
11. Do not place this unit in a damp area as the moisture will affect the life of electric components.
12. If the system is brought directly from a cold to a warm location, or is placed in a very damp room, moisture may condense on the lens inside the player. If this occurs, the system will not operate properly. Please leave the system turned on for about an hour until the moisture evaporates.
13. Do not attempt to clean the unit with chemical solvents as this might damage the finish. Wipe with a clean, dry or slightly damp cloth.
14. When removing the power plug from the wall outlet, always pull directly on the

- plug, never pull on the cord.
15. Depending on the electromagnetic waves used by a television broadcast, if a TV is turned on near this unit while it is also on, lines might appear on the TV screen. Neither this unit nor the TV is malfunctioning. If you see such lines, keep this unit well away from the TV set.
  16. The mains plug is used as the disconnect device, the disconnect device must remain readily operable.
  17. To keep the laser pickup clean, do not touch it, and always close the disc tray.
  18. During playback, the disc rotates at high speed. DO NOT lift or move the unit during playback, doing so may damage the disc or the unit.
  19. When changing places of installation or packing the unit for moving, be sure to remove the disc and return the disc tray to its closed position in the player. Then, press switch to turn the power off and disconnect the power cord. Moving this unit with the disc loaded may result in damage to this unit.
  20. Put discs back in their case after playing them. Never expose discs to direct sunlight or heat sources. Never leave discs inside a car parked in full sunlight.
  21. Do not touch the playback side of disks. Hold discs by the edges to avoid leaving fingerprints on the surface. Any dust, fingerprints or scratches may cause a malfunction. Never attach a label or sticky tape to the disc.
 



  22. Use a clean soft lint-free cloth to clean the disc, working from the center outwards in a straight line, thinners, commercially available cleaners or anti static sprays for vinyl discs.
 


  23. To prevent possible hearing damage, do not listen at high volume levels for long periods.



## WARNING: DANGER OF RADIATION

CLASS 1 LASER PRODUCT  
 LUOKAN 1 LASERLAITE  
 KLAS 1 LASERAPPARAT

This label means that this unit contains a laser component. Opening the CD compartment lid and defeating the safety interlocks will expose the user to radiation from the laser beam. Do not stare into the laser while it is operating.

## BEFORE OPERATION

### Notes: Concerning compact discs.

Since dirty, damaged or warped discs may damage the appliance, care should be taken of the followings items:

- a. Usable compact discs. Use only compact disc with the mark shown below.



- b. CD compact disc only with digital audio signals.

## NOTICE



### Conformity

Hereby, Blaupunkt Competence Center 2N-Everpol Sp. z o.o., declares that this equipment is in compliance with the essential requirement and other relevant provisions of Directive 2014/53/EU. Declaration of conformity can be obtained from the product page at [www.blaupunkt.com](http://www.blaupunkt.com).  
Responsible party: 2N-Everpol Sp. z o.o, Puławska 403A, 02-801 Warsaw, Poland,  
Phone: +48 22 331 99 59, E-mail: [info@everpol.pl](mailto:info@everpol.pl)



Your products is designed an manufactured with high quality materials and components, which can be recycled and reused.



When this crossed-out wheeled bin symbol is attached to a product it means that the product is covered by the European Directive 2012/19/EU . Please inform yourself about the local separate collection system for electrical and electronic products. Please cat according to your local rules and do not dispose of your old products with your normal household waste. Correct disposal of your old product helps to prevent potential negative consequences for the environment and human health.



Your product contains batteries covered by the European Directive 2006/66/EC , which cannot be dispose with normal household waste. Please inform yourself about the local rules on separate collection of batteries because correct disposal helps to prevent negative consequences for the environmental and human health.

### Environmental information

All unnecessary packaging has been omitted. We have tried to make the packaging easy to separate into three materials: cardboard(box), polystyrene foam(buffer) and poly ethylene (bags, protective foam sheet). Your system consists of material which can be recycled and reused if disassembled by a specialized company. Please observe the local regulations regarding the disposal of packaging materials, exhausted batteries and old equipment.

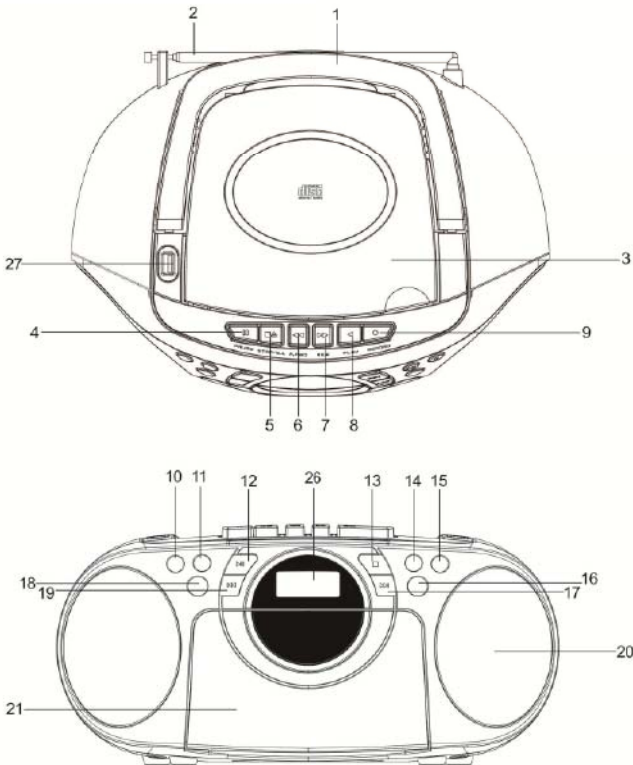
Recording and playback of material might require consent. See Copyright Act 1956 and The Performer's Protection Acts 1958 to 1972.

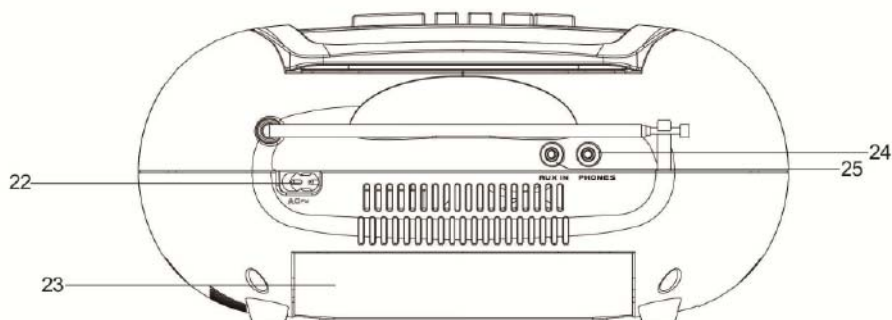
**ERP2 - (Energy Related Products) note**

This product with ecodesign complies with the stage 2 requirements of Commission Regulation (EC) NO. 1275/2008 implementing Directive 2009/125/EC regard to standby and off mode electric power consumption of electronic household and office equipment. After 60 minutes without any audio input, the device will automatically switch into standby mode. Follow up the instruction manual to resume the operation.

**Important note:**

This device is equipped with an energy saving mode: if no signal is given during 60 minutes the device will switch automatically into standby mode in order to save energy (ERP 2 standard). Please note that low volume setting in the audio source may be recognized as "no audio signal": this will affect the capability of signal detection from the device and can also originate an automatic switch into standby mode. If this happens please reactivate the audio signal transmission or increase the volume setting on the audio source player (MP3 player, etc.), in order to resume playback. Please contact the local service center if the problem remains.

**LOCATION OF CONTROLS**



### Name of controls

1. Handle;
2. FM Antenna;
3. CD Compartment;
4. Pause key;
5. Stop/eject key;
6. Fast-forward key;
7. Rewind key;
8. Play key;
9. Record key;
10. 10/fold./M.- button;
11. 10/fold./M.+ button;
12. Play/pause button;
13. Stop button;
14. Volume decrease button;
15. Volume increase button;
16. Standby/function button;
17. Next/Tune + button;
18. Program/memory/play mode button;
19. Previous/Tune – button;
20. Speaker;
21. Cassette compartment;
22. AC socket;
23. Battery compartment;
24. Phone jack;
25. Aux in jack;
26. LCD display;
27. USB port;



**Power source**

This unit is designed to be operated both with AC and with DC.

**AC operation**

Plug the tail of AC power cord into AC jack on unit and the cord into AC wall outlet. The batteries will be automatically disconnected.

**DC operation**

Open the BATTERY COMPARTMENT DOOR. Install 6 pcs UM-1/D size batteries (not included) into compartment. Please follow correct polarities as indicated.

**Caution**

Remove batteries if they are flat or not being used for a long time.

Batteries contain chemical substances, so they should be disposed of properly.

**Basic function**

Switching on the unit

After connecting the power, press standby/function button to turn on the unit, then press the standby/function button again to choose CD /USB/ AUX/TAPE or RADIO mode. Long press standby/function button to turn off the unit.

**NOTE:** In CD/USB/AUX/TAPE mode, when the unit is not providing the main function for 60 minutes, the unit will automatically switch into standby mode. In the tape mode, only the tape stops for 60 minutes, the unit will automatically switch into standby mode. To turn on the unit again, press standby/function button or re-plug the unit.

**ESD hints** – The product maybe reset or not reset to operation of control due to electrostatic discharge, just switch off and reconnect again.

Adjust volume

Press VOL.+/- button to increase or decrease volume.

**Headphone jack**

For private listening, connect a 3.5mm headphone (not included) to the headphone jack. The speaker output will be automatically disabled.

Caution: listening at a high volume over a long period is not good for your ears.

**Using the radio**

Before start the radio listening, please full extent the FM antenna and try to move the unit next to window in order to get better signal reception; press the standby/function enter to the FM radio mode.

1. FM tune and scan: short press Tune +/- button to increase or decrease the FM frequency per 0.05MHz. Press and hold Tune +/- button 2 seconds to auto scan and play the available station in upward or downward frequency; press and hold it again to scan the next station.
2. FM manual preset memory: when you tuned a favorite by Tune +/- button, press Program/memory/play mode button to start the preset program; press 10/fold./M.- or 10/fold./M.+ button to switch the preset station number (Max supported 40 preset stations) that you want to save, press program/memory/play mode button again to confirm your selection; then the station will be saved as your selected preset number.
3. All-in-one scan (auto scan and preset station up to 40): short press the play/pause button to scan and save the available station automatically; short press 10/fold./M.- or 10/fold./M.+ button to pick up the preset station.

**Cassette operation**

Playback of cassette

Be sure to tighten any slack tape in the cassette before using, use either a pencil or a ball-point pen, simply insert the pen or pencil into the center of spool and rotate to remove slackness.

Press the STOP/EJ button to open the cassette door.

Insert the cassette into the compartment with the open end facing upwards and the full reel on the left hand side, push the cassette well down and close the door, be sure not to touch the tape surface, Set the function switch to "TAPE" and press the cassette play button. To stop playback, press the STOP/EJ button once. To release the cassette, press the STOP/EJ button again.

### AUTO STOP

When the tape reaches the end during playback or recording, the built-in auto stop system will release the play button or record button. The auto stop system would only bring the cassette function to stop mode while recording from the built-in radio or CD player, the radio or CD player will continue to play.

#### Recording from radio

1. Load a blank tape into the tape compartment and close the door.
2. Press the Standby/Function button to Choose FM mode.
3. Tune to required station by pressing Next/TUN. + Or previous/TUN-.
4. Press RECORD key to begin recording. RECORD key and PLAY key go down simultaneously.
5. Press STOP/EJ. Key to end recording.
6. To hear what you recorded, follow instructions in playback a cassette.

**Note:** Pause for a moment - Using the Pause key on the cassette deck instead of the STOP/EJ. Key to momentarily interrupt recording gives you a much clear recording. Press Pause key again to resume recording.

#### Recording from CD/USB/AUX

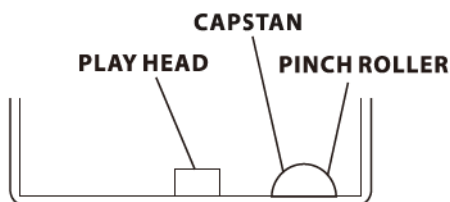
1. Insert a blank cassette tape into the tape compartment.
2. Press the standby/function button to Choose CD, USB or AUX mode.
3. Load a CD, or insert a USB, or connect an external audio device from AUX jack, then select the desired track you want to record.
4. Press Play/Pause button to start playback. Press Record key to begin recording. Record key and Play key go down simultaneously.
5. Press Pause key to interrupt or edit recording. Press it again to resume recording.
6. Press STOP/EJ. Key to end recording.
7. To hear what you recorded, follow instructions in playback a cassette.

#### Types of cassette

Use only good quality cassettes (IEC TYPE 1) for making recordings. The use of C120 cassettes is NOT recommended in this machine.

#### Care of cassette mechanism

Gently clean the tape head and pinch wheel/capstan assemblies after every 10 hours of using the unit.



The play head and surface of the pinch roller are delicate and shall not be touched with metal objects such as screwdrivers. You may find it easier to clean the assembly by pressing the Play button to bright head and pinch roller into view. Be sure to press the Stop button after cleaning the mechanism.

Damage to the pinch wheel can occur if the unit is left in Play mode with the power switch off. Under no circumstances should you attempt to lubricate any part of the machine.



## CD/MP3 operation

### Discs for Playback

This system can playback all digital audio CD, MP3, WMA finalized digital audio CD-Recordable (CD-R) discs, finalized digital audio CD-Rewritable (CD-RW) discs and CD-DA format digital audio CD/CD-R/CD-RW discs.

### LOADING A DISC

1. Press the STANDBY/FUNCTION button to choose CD mode.
2. Open the CD door. "OPEN" will be shown on the display.
3. Place an audio CD into the tray with the label side facing up.
4. Close the CD door. The total number of tracks will appear on the display after reading finished.
5. To remove the CD, press Stop button and open CD compartment lid, grasp the CD by its edges, and carefully take it out.

### Note:

1. To ensure good system performance; wait until the disc tray completely read the disc before proceeding.
2. If no disc is loaded into the compartment, or the disc is placed upside down, the display will show N0 CD.

### Playing a disc

After loading a disc, playback starts from track 1 automatically.

To interrupt playback, press the Play/Pause button. The play indicator will flash and current track no. will show on the display.

To resume playback, press the Play/Pause button again.

To stop playback, press the Stop button, the total number of tracks appears on the display.

### Selecting a desired track/passage

#### To select a desired track

Press the Next/TUN.+ or previous/TUN.- button repeatedly in stop mode or during play until the desired track appears on the display.

To search for a particular passage during playback (track scanning at high speed)

Press and hold the Next/TUN.+ or previous/TUN.- button to scan the current playing track at high speed until desired passage appears, and then release the button. Playback will start again from this point.

#### To select a song which track number exceeds 10 (for MP3 disc only)

To select a song/track which number exceeds 10, Press the 10/fold./M.+ or 10/fold./M.- button each time to skip forward/backward 10 tracks, then press the Next/TUN.+ or previous/TUN.- button to select desired track. For example: to select the 17th track, press 10/fold./M.+ button, and then press the Next/TUN.+ six times immediately.

#### To Select a desired folder (for MP3 disc only)

(if the MP3 disc contains more than one folder)

To skip to the desired folder during playback, press and hold the 10/fold./M.+ or 10/fold./M.- button for about 2 seconds to skip to next/previous folder.

### Program tracks

Programming tracks of disc are possible when playback is stopped. Up to CD 20 tracks /MP3 99 tracks can be stored in the memory in any order.

1. In stop mode, press the PROG./MEM./P-MODE button, the "PROG" will flash and the P01 indicator will be on.
2. Press the Next/TUN.+ or previous/TUN.- button to select the first desired track to be programmed.
3. Press the PROG./MEM./P-MODE button to enter. The display changes to show P02.
4. Repeat steps 2 & 3 to store other desired tracks until all tracks are programmed.
5. Press the Play/Pause button to start playback from the first programmed track.
6. Press the Stop button to stop program playback.

**To Erase the Memory (Program)**

To clear the program, you have two options:

1. Press the Stop button when the disc is stopped, or
2. Open the CD compartment lid, program will be erased.

**Repeat****To repeat a single track**

Press the PROG./MEM./P-MODE button once in play mode, "↻" will flash on the display. The current track will be played repeatedly until the Stop button is pressed.

To cancel Repeat function, press the PROG./MEM./P-MODE button until the "↻" disappear on the LCD display.

To repeat all the Tracks

1. Press PROG./MEM./P-MODE button in play mode till the "↻" shows steady on the display, all tracks on the disc will be played repeatedly until the Stop button is pressed.
2. To cancel Repeat function, press the PROG./MEM./P-MODE button until the "↻" disappear on the LCD display.

**To repeat current folder (for MP3 only)**

1. Press PROG./MEM./P-MODE button in play mode, till the "↻ FOLD" shows steady on the display, the current folder will be played repeatedly until the Stop button is pressed.
2. To cancel Repeat function, press the PROG./MEM./P-MODE button until the "↻ FOLD" disappear on the LCD display.

**Random play**

Press the PROG./MEM./P-MODE button in play mode till the "RDM" shows steady on the display, the random play will start immediately until all tracks are played over and then stop. Press the PROG./MEM./P-MODE button once to cancel.

Intro

Press the PROG./MEM./P-MODE button on unit in play mode till the "INTRO" shows steadily on the display, the intro play will start and scan 10 seconds for every track. To cancel intro play, press the PROG./MEM./P-MODE button until "INTRO" disappear from the display.

**USB operation**

1. Press the STANDBY/FUNCTION button to choose USB mode.
2. Connect the USB to the USB INPUT. The LCD will show the total number of tracks and folders stored in the USB. After reading the USB, the unit will start playback automatically.
3. Press the Stop button on unit to stop playing. The display will show total number of track in USB.
4. Proceed repeat play (repeat 1 - repeat folder - repeat all-)/program play/skip up and back operation as the same described in above "CD/MP3 OPERATION".

**Caution:**

1. Do not use any USB extension cable for connecting the USB bar which may cause harmful interference
2. The USB port only available for playing music. It does not support charging feature for any device.
3. The maximum size of the Flash Drive that can be supported is up to 32GB. USB is suitable for music playback only. Most of MP3 files are supported and other music formats may not be played.
4. Smartphone playback via USB cable and encrypted USB devices may not be supported on this unit.

**AUX IN OPERATION**

This unit provides a 3.5mm AUX IN jack, through this jack other audio sources can be connected to this unit and be amplified.

1. Press the Standby/function button to choose AUX mode.
2. Connect the audio cable (not include) into the AUX IN jack and the other end connects to the AUDIO OUT jack of the external audio source. The unit will change to AUX mode automatically.
3. Adjust the volume of the main unit to your desired level.
4. Press PLAY of the external audio source (eg. MP3 player) to start playback.

**Specification**

|  |   |
|--|---|
| Power Requirement                      | AC100-240V ~60/ 50Hz                      |
| DC 9V UM-1 x 6 PCS(battery no include) |   |
| Weight                                 | Approx.1.46 kg                            |
| Dimensions                             | Approx. 285mm (W) x 213mm (D) x 140mm (H) |
| Operation temperature                  | +5 o C – +45 o C                          |
| FM Frequency Range                     | 87.5– 108 MHz                             |
| USB                                    | Max supported device up to 32GB           |
| Optical Pickup                         | 3 – Beam Laser                            |
| Frequency Response                     | 100Hz – 16KH z                            |
| Recording System                       | 2 Tracks 2 Channel (Stereo)               |
| Bias System                            | DC Bias                                   |
| Frequency Response                     | 125 – 6.3 KH z                            |
| Wow and Flutter                        | 0.35% WRMS (JIS)                          |
| Power output                           | 1.5 Watts x 2                             |
| Power consumption                      | 13 Watts                                  |
| Standby power consumption              | <0.5W                                     |

(the above spec may update without prior notice)

## WAŻNE INSTRUKCJE DOTYCZĄCE BEZPIECZEŃSTWA



### PRZESTROGA



ZAGROŻENIE PORAŻENIEM  
ELEKTRYCZNYM  
NIE OTWIERAĆ

### Ważne instrukcje dotyczące bezpieczeństwa

#### Przeestroga:

Aby zmniejszyć ryzyko porażenia prądem, nie wolno demontować pokrywy ani tylnej części urządzenia. Wewnątrz urządzenia nie znajdują się elementy przeznaczone do samodzielnej naprawy przez użytkownika. Konserwacją i naprawą sprzętu zajmują się wyłącznie wykwalifikowani pracownicy serwisu.

### Objaśnienie symboli graficznych:



Symbol błyskawicy zakończonej strzałką umieszczonej w trójkącie równobocznym ostrzega użytkownika przed nieizolowanym „niebezpiecznym napięciem” w obrębie obudowy urządzenia, które może osiągnąć wielkość grożącą porażeniem prądem elektrycznym.



Znak wykrzyknika w trójkącie równobocznym ostrzega użytkownika, że w tym momencie przedstawione są ważne informacje dotyczące obsługi i konserwacji sprzętu w dokumentacji, dołączonej do urządzenia.

Prosimy o przeczytanie tej instrukcji przed przystąpieniem do obsługi urządzenia, aby zapoznać się z jego funkcjami i wykorzystać je zgodnie z przeznaczeniem. Zapewni to długotrwałą, bezawaryjną obsługę urządzenia i przyjemność z użytkowania.

### Ważne informacje

- Należy zachować instrukcję obsługi oraz informacje dotyczące bezpieczeństwa w celu wykorzystania ich w przyszłości.
- Nie należy dopuszczać do tego, aby na urządzenie kapała lub wylewała się ciecz.
- Nie wolno też używać go w wilgotnych miejscach, jak np. łazienka.
- Nie wolno instalować tego urządzenia w następujących miejscach:
- Wystawionych na bezpośrednie działanie promieni słonecznych lub w pobliżu grzejników.
- Kłaść go na wierzchu innego sprzętu stereofonicznego który wydziela ciepło.
- Blokując wentylację lub w zapyłonym miejscu.
- W miejscach narażonych na ciągłe drgania.
- W miejscach o wysokiej wilgotności.
- Nie wolno stawiać urządzenia w pobliżu świec lub otwartego ognia.
- Urządzenia można używać wyłącznie w sposób opisany w niniejszej instrukcji.
- Przed pierwszym włączeniem zasilania należy upewnić się, że zasilacz został

prawidłowo podłączony.

- Pamięć USB podłącza się bezpośrednio lub przy użyciu przedłużacza USB o długości do 25 cm.

Ze względów bezpieczeństwa nie należy demontować obudów ani uzyskiwać dostępu do wnętrza urządzenia. Urządzenie powinno być naprawiane przez wykwalifikowany personel serwisu.

Nie wolno rozkręcać urządzenia ani otwierać jego obudowy, gdyż wewnątrz nie ma żadnych części, które mogłyby być naprawiane przez użytkownika. Konserwacją i naprawą sprzętu zajmują się wyłącznie wykwalifikowani pracownicy serwisu.

## INSTRUKCJE DOTYCZĄCE BEZPIECZEŃSTWA

1. **Przeczytać instrukcje** – przed korzystaniem z urządzenia należy przeczytać całość instrukcji obsługi oraz informacje o bezpieczeństwie.
2. **Zachować instrukcje** – należy zachować instrukcje użytkownika i obsługi w celu wykorzystania ich w przyszłości.
3. **Przestrzegać ostrzeżeń** – należy postępować zgodnie z wszystkimi ostrzeżeniami zamieszczonymi na urządzeniu oraz zgodnie z instrukcją obsługi.
4. **Przestrzegać instrukcji** – należy postępować zgodnie z instrukcją obsługi oraz wskazówkami dla użytkownika.
5. **Instalacja** – należy ustawić urządzenie zgodnie z instrukcjami producenta.
6. **Źródła zasilania** – urządzenie powinno być zasilane wyłącznie ze źródeł o parametrach podanych na oznaczeniach na kablu zasilania. Jeżeli użytkownik nie jest pewien, jakiego rodzaju zasilaniem dysponuje w domu, powinien skontaktować się ze sprzedawcą urządzenia lub lokalnym dostawcą energii elektrycznej.
7. **Uziemienie lub polaryzacja zasilania** – urządzenie nie musi być uziemione. Należy upewnić się, że wtyczka jest do końca włożona do gniazdka sieciowego lub przedłużacza, aby nie dopuścić do odsłonięcia bolców lub styków. Niektóre wersje urządzenia mogą być wyposażone w spolaryzowaną wtyczkę prądu przemiennego (z jednym bolcem szerszym). Tę wtyczkę można włożyć do gniazdka sieciowego tylko w jeden sposób. Jest to funkcja zabezpieczająca. Jeśli nie można włożyć wtyczki do gniazda, należy spróbować ją odwrócić. Jeśli wtyczka nadal nie pasuje do gniazda, należy zlecić elektrykowi jego wymianę. Nie wolno zdejmować zabezpieczeń z wtyczki spolaryzowanej. Gdy korzysta się z przedłużacza lub kabla zasilania innego niż dostarczony razem z urządzeniem, powinny mieć właściwe
8. **Zabezpieczenie kabla zasilania** – kable zasilania należy poprowadzić w taki sposób, aby nie można było po nich chodzić, przycisnąć lub przyciąć postawionymi przedmiotami. Zwrócić szczególną uwagę na wtyczki, gniazdka sieciowe i miejsca, w którym kable są wyprowadzone z urządzenia.
9. **Przeciążanie** – nie wolno przeciążać gniazdek ściennych, przedłużaczy i rozdzielaczy elektrycznych, ponieważ grozi to wybuchem pożaru lub porażeniem prądem elektrycznym.
10. **Wentylacja** – urządzenie musi być poprawnie wentylowane. Nie wolno ustawiać urządzenia na łóżku, sofie lub podobnych powierzchniach. Nie wolno przykrywać urządzenia obrusami, serwetkami, gazetami itd.



11. **Ciepło** – nie ustawiać urządzenia w pobliżu źródeł ciepła, takich jak grzejniki, promienniki, piece lub innych urządzeń (również wzmacniacze) wytwarzających ciepło. Nie stawiać na urządzeniu zapalonych świec i innych źródeł otwartego ognia.
12. **Woda i wilgoć** – aby zmniejszyć zagrożenie pożarem lub porażeniem elektrycznym, nie wolno narażać urządzenia na bezpośrednie działanie deszczu, wody i wilgoci, jak np. w saunie czy w łazience. Nie używać niniejszego urządzenia w pobliżu wody, na przykład obok wanny, umywalki, zlewu kuchennego lub balii, w wilgotnej piwnicy lub w pobliżu basenu (lub w podobnych miejscach).
13. **Przedmioty i ciecze w urządzeniu** – nie należy wciskać jakichkolwiek przedmiotów przez otwory urządzenia, ponieważ mogą one zetknąć się z punktami niebezpiecznego napięcia i podzespołami, co może wywołać pożar lub porażenie prądem. Pod żadnym pozorem nie należy rozlewać jakichkolwiek cieczy na powierzchni urządzenia. Nie wolno kłaść na wierzchu urządzenia przedmiotów zawierających ciecze.
14. **Czyszczenie** – należy zawsze odłączyć urządzenie od gniazdka sieciowego przed czyszczeniem. Kurz dookoła głośnika można usunąć suchą szmatką. Jeśli do czyszczenia ma być użyty aerozol, nie należy kierować rozpylanego strumienia bezpośrednio na urządzenie, ale na szmatkę. Należy uważać, aby nie uszkodzić jednostek napędowych.
15. **Wyposażenie dodatkowe** – nie wolno używać akcesoriów, które nie są dopuszczone przez producenta, gdyż mogą stwarzać zagrożenie.
16. **Akcesoria** – nie wolno ustawiać urządzenia na niestabilnym wózku, stojaku, statywie, wsporniku czy stole. Urządzenie może ulec przewróceniu i uszkodzeniu oraz spowodować poważne obrażenia u dziecka lub osoby dorosłej. Należy używać wyłącznie wózków, stojaków, statywów, wsporników i stołów określonych przez producenta albo sprzedawanych wraz z urządzeniem. Montaż urządzenia należy przeprowadzać zgodnie z instrukcjami producenta, przy użyciu zestawu montażowego zalecanego przez producenta.
17. **Przenoszenie urządzenia** – urządzenie umieszczone na wózku należy przesuwać bardzo ostrożnie. Gwałtowne zatrzymanie, zbyt duża siła lub nierówne powierzchnie mogą spowodować przewrócenie wózka wraz z urządzeniem.
18. **Okres nieużywania urządzenia** – kabel zasilania urządzenia należy odłączyć od gniazdka sieciowego w trakcie burz z wyładowaniami atmosferycznymi lub gdy urządzenie nie będzie używane przez dłuższy czas.
19. **Serwisowanie** – nie należy próbować własnoręcznego przeglądania urządzenia. Otwieranie pokrywy może spowodować kontakt z niebezpiecznym napięciem i narażać użytkownika na inne niebezpieczeństwa. Konserwacją i naprawą sprzętu zajmują się wyłącznie wykwalifikowani pracownicy serwisu.
20. Gdy urządzenie nie jest używane, należy odłączyć jego wtyczkę zasilania od gniazdka sieciowego. Gdy urządzenie jest podłączone do źródła zasilania, znajduje się w trybie czuwania i nie jest całkowicie wyłączone.
21. **Części zamienne** – przy wymianie części należy sprawdzić, czy pracownik serwisu użył części zamiennych zalecanych przez producenta lub też czy części są identyczne jak część oryginalna. Dokonywanie wymiany na niezatwierdzone części grozi wybuchem pożaru, porażeniem prądem elektrycznym lub innymi niebezpieczeństwami.



22. **Główne bezpieczniki** – aby zabezpieczyć w sposób ciągły urządzenie przed pożarem, należy używać bezpieczników właściwego typu i parametrów. Parametry bezpieczników w danym zakresie napięcia są zaznaczone na urządzeniu.
23. Nie wolno zwiększać głośności przy słuchaniu części utworu o małej głośności lub przy braku wejściowego sygnału audio. W innym wypadku może dojść do uszkodzenia głośnika przy gwałtownym wzroście natężenia sygnału.
24. Jedynym sposobem całkowitego odłączenia urządzenia od źródła zasilania jest odłączenie kabla zasilania z gniazdka zasilania lub z urządzenia. Gniazdko sieciowe lub wejście kabla zasilania do urządzenia muszą być zawsze dostępne w trakcie używania produktu.
25. Urządzenie powinno się ustawić w pobliżu gniazdka sieciowego lub przedłużacza i w taki sposób, aby zawsze było dostępne.
26. Maksymalna temperatura otoczenia urządzenia wynosi 35°C.
27. **Wskazówki dotyczące wyładowań elektrostatycznych** – jeśli działanie urządzenia jest zakłócone wyładowaniami elektrostatycznymi, należy go wyłączyć i ponownie włączyć lub przenieść urządzenie w inne miejsce.
28. **Bateria**
  - a. Bateria nie mogą być narażone na działanie nadmiernego ciepła, jak np. promieni słonecznych, ognia itp.
  - b. Podczas użycia baterii należy zwrócić uwagę na aspekty ochrony środowiska.
  - c. Przestroga dotycząca używania baterii: aby nie dopuścić do rozszczelnienia baterii, które może spowodować obrażenia ciała bądź uszkodzenie urządzenia:
    - Podczas wkładania baterii zwrócić uwagę na jej polaryzację (+ i -).
    - Nie wolno jednocześnie używać różnych baterii — starych i nowych baterii standardowych i alkalicznych itd.
    - Należy wyjąć baterie z urządzenia, gdy nie będzie ono używane przez dłuższy czas.

## OSTRZEŻENIE

Urządzenie nie powinno być używane przez osoby (w tym dzieci) o obniżonej sprawności fizycznej, sensorycznej lub umysłowej oraz osoby z niewystarczającą wiedzą i doświadczeniem, jeśli nie znajdują się one pod nadzorem osoby odpowiedzialnej za ich bezpieczeństwo i nie zostały poinstruowane jak bezpiecznie używać urządzenia. Obecność osób dorosłych jest wymagana, jeśli urządzenie obsługują dzieci; pozwoli to zapewnić bezpieczne korzystanie z urządzenia.

1. Nie wolno pozostawić pracującego urządzenia bez nadzoru! Należy wyłączać urządzenie, gdy nie jest ono używane, nawet przez krótką chwilę.
2. Urządzenia nie wolno obsługiwać za pośrednictwem zewnętrznego zegara z układem czasowym ani za pomocą oddzielnego układu ze zdalnym sterowaniem.
3. Aby uniknąć zagrożenia w przypadku uszkodzenia przewodu zasilania, wymianę powinien wykonać producent, autoryzowany punkt serwisowy lub inna osoba posiadająca odpowiednie kwalifikacje.
4. Przed przystąpieniem do obsługi urządzenia należy sprawdzić, czy jego napięcie odpowiada napięciu występującemu w lokalnej sieci zasilającej.
5. Nie wolno zakrywać otworów wentylacyjnych urządzenia np. gazetami, obrusem,

zasłonami itp. Należy upewnić się, że nad urządzeniem jest co najmniej 20 cm wolnego miejsca, a z każdej jego strony — co najmniej 5 cm.

6. Nie należy dopuszczać do tego, aby na urządzenie kapąła lub wylewała się ciecz, ani nie należy stawiać na nim przedmiotów wypełnionych cieczami, takich jak wazony.
7. Aby uniknąć pożaru lub porażenia prądem elektrycznym, należy chronić urządzenie przed gorącymi miejscami, działaniem deszczu, wilgoci i pyłu.
8. Nie wolno ustawiać urządzenia w pobliżu jakichkolwiek źródeł wody, np. kranów, wanien, pralek lub basenów pływackich. Urządzenie należy ustawić na równym i stabilnym podłożu.
9. Nie wolno narażać urządzenia na silne pole magnetyczne.
10. Nie wolno stawiać urządzenia bezpośrednio na wzmacniaczu lub amplitunerze.
11. Nie wolno stawiać urządzenia w wilgotnym miejscu, gdyż wilgoć ma szkodliwy wpływ na podzespoły elektryczne.
12. Po wniesieniu urządzenia z zimnego do ciepłego miejsca lub do wilgotnego miejsca może dojść do kondensacji wilgoci na soczewce wewnątrz odtwarzacza. W takiej sytuacji urządzenie nie będzie działać prawidłowo. Należy pozostawić włączone urządzenie na około jedną godzinę, aby umożliwić odparowanie wilgoci.
13. Nie wolno czyścić urządzenia rozpuszczalnikami chemicznymi, gdyż mogą one zniszczyć lakier obudowy. Urządzenie wyciera się czystą, suchą lub nieznacznie zwilżoną ściereczką.
14. Podczas wyciągania wtyczki z gniazdka ściennego należy zawsze ciągnąć za wtyczkę, nigdy za kabel zasilania.
15. Gdy włączone urządzenie jest używane w pobliżu włączonego telewizora, może to być źródłem zakłóceń obrazu w postaci linii na ekranie. Zależy to od pasma fal transmisji TV. Nie oznacza to nieprawidłowego działania urządzenia ani telewizora. Jeśli są widoczne takie linie, należy odsunąć urządzenie od telewizora.
16. Wtyczka sieciowa jest używana do odłączania napięcia zasilającego i powinna być zawsze dostępna.
17. Aby zachować głowicę laserową do odczytu płyt CD w czystości, nie wolno jej dotykać i zawsze zamykać kieszeń na płyty.
18. W trakcie odtwarzania płyta obraca się z dużą prędkością. **NIE WOLNO** podnosić ani przesuwać urządzenia podczas odtwarzania, gdyż może to być przyczyną uszkodzenia płyty lub samego urządzenia.
19. Przed przeniesieniem urządzenia w inne miejsce lub na czas przeprowadzki należy wyjąć płytę i zamknąć kieszeń na płyty. Następnie należy wyłączyć zasilanie i odłączyć kabel zasilania. Przenoszenie urządzenia z płytą w kieszeni może być przyczyną jego uszkodzenia.
20. Po odtworzeniu płyty należy umieścić w opakowaniu. Nie wolno wystawiać płyt na bezpośrednie działanie promieni słonecznych i źródła ciepła. Nie wolno zostawiać płyt wewnątrz samochodu zaparkowanego w pełnym słońcu. 
21. Nie wolno dotykać strony płyt bez etykiety. Trzymać płyty za krawędź, aby nie pozostawić odcisków palców. Pył, odciski palców lub zadrapania płyt mogą być przyczyną niepoprawnego działania odtwarzacza. Nie wolno naklejać karteczek lub taśmy samoprzylepnej na płytę. 



22. Do czyszczenia płyty używa się czystej, niepozostawiającej kłaczek ściereczki. Zaczyna się czyszczenie ruchem prostoliniowym od środka płyty do jej krawędzi, używając do tego celu powszechnie dostępnych środków czyszczących lub środków antystatycznych do płyt winylowych.
23. Aby nie dopuścić do ewentualnej utraty słuchu, nie wolno słuchać głośno muzyki przez dłuższy czas.



## OSTRZEŻENIE: ŹRÓDŁO PROMIENIOWANIA

CLASS 1 LASER PRODUCT  
LUOKAN 1 LASERLAITE  
KLASS 1 LASERAPPARAT

Ta etykieta oznacza, że wewnątrz urządzenia znajdują się podzespoły laserowe. Otwarcie pokrywy kieszeni na płyty CD i pominięcie blokad zabezpieczających naraża użytkownika na działanie promieniowania laserowego. Nie wolno patrzeć się na wiązkę lasera podczas pracy urządzenia.

## PRZED ROZPOCZĘCIEM PRACY

### Uwagi: dotyczące płyt kompaktowych.

Ponieważ zabrudzone, uszkodzone lub odkształcone płyty mogą być przyczyną uszkodzenia urządzenia, należy zwrócić uwagę na następujące elementy:

- a. Płyty kompaktowe, których można używać. Można używać tylko wskazanych poniżej płyt.



- b. Płyty CD wyłącznie z cyfrowym dźwiękiem audio.

## UWAGA



Deklaracja

Niniejszym Blaupunkt Competence Center 2N-Everpol Sp. z o.o. oświadcza, że to urządzenie jest zgodne z wymogami i innymi odpowiednimi postanowieniami dyrektywy 2014/53 / UE. Pełną deklarację zgodności można uzyskać na stronie [www.blaupunkt.com](http://www.blaupunkt.com) w zakładce produktu.

Podmiot odpowiedzialny: 2N-Everpol Sp. z o.o., Puławska 403A, 02-801 Warszawa, Polska, Telefon: +48 22 331 99 59, e-mail: [info@everpol.pl](mailto:info@everpol.pl)



Produkt został wyprodukowany z wysokiej jakości materiałów i podzespołów, które można poddać recyklingowi i ponownie użyć.



Jeśli na urządzeniu znajduje się znak przekreślonego kosza na śmieci, oznacza to, że produkt jest objęty postanowieniami dyrektywy europejskiej 2012/19/EU. Należy zapoznać się z wymaganiami dotyczącymi lokalnego systemu zbiórki odpadów elektrycznych i elektronicznych. Należy postępować zgodnie z lokalnymi przepisami. Nie wolno wyrzucać tego produktu razem ze zwykłymi odpadami domowymi. Prawidłowe usunięcie starego produktu zapobiegnie potencjalnym negatywnym skutkom dla środowiska naturalnego i zdrowia ludzkiego.



Urządzenie jest wyposażone w baterie objęte dyrektywą europejską 2006/66/EC. Baterie nie wolno wyrzucać razem z odpadami gospodarstwa domowego. Należy zapoznać się z lokalnymi przepisami dotyczącymi oddzielnej zbiórki baterii, ponieważ prawidłowa utylizacja zapobiegnie potencjalnym negatywnym skutkom dla środowiska naturalnego i zdrowia ludzkiego.

### Informacje o ochronie środowiska naturalnego

Opakowanie zawiera tylko niezbędne elementy. Dołożono wszelkich starań, aby trzy materiały składowe opakowania były łatwe do oddzielenia: karton (pudełko), pianka polistyrenowa (zabezpieczenia wewnątrz) i polietylen (torebki, arkusz ochronny). Urządzenie wyprodukowano z materiałów, które można poddać recyklingowi i użyć ponownie po ich demontażu przez wyspecjalizowaną firmę. Należy przestrzegać lokalnych przepisów dotyczących utylizacji materiałów opakowaniowych, zużytych baterii i niepotrzebnych urządzeń.

Nagrywanie i odtwarzanie materiałów może wymagać uzyskania zgody. Patrz ustawa o prawach autorskich i prawach wykonawców/artystów.

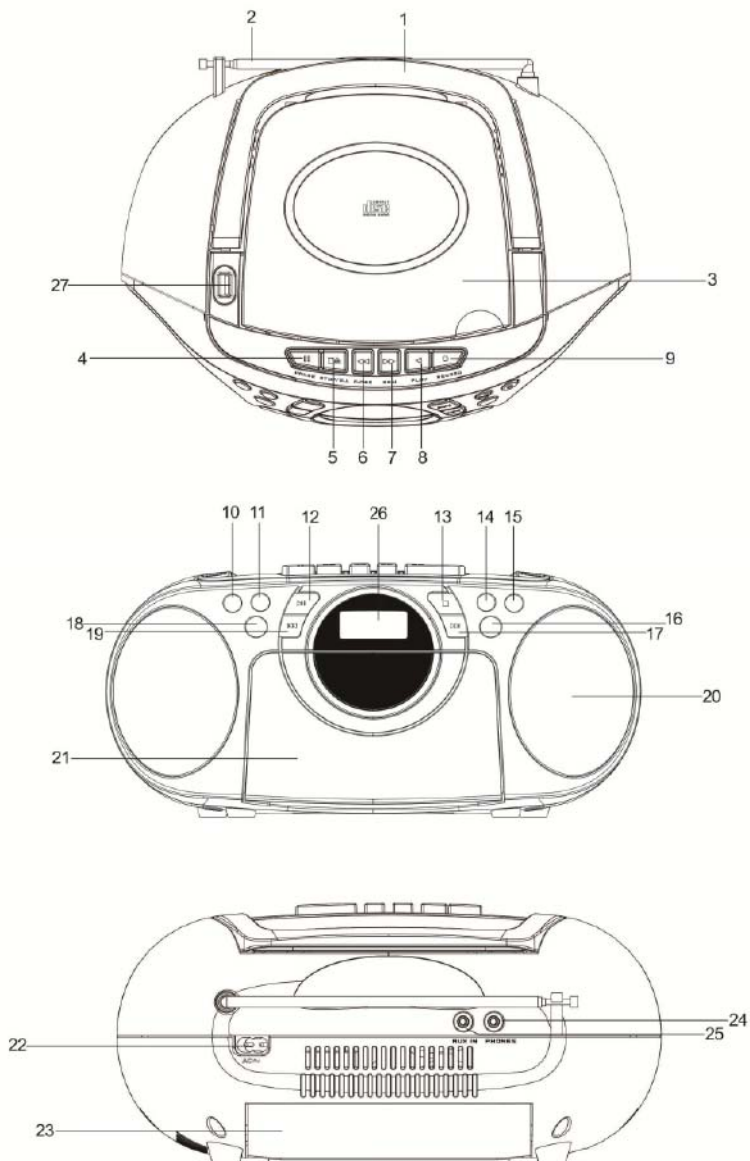
### Uwaga dotycząca ERP2 (urządzeń związanych z energią)

Niniejsze urządzenie z ekoprojektem spełnia wymagania etapu 2 Rozporządzenia Komisji (WE) nr 1275/2008 wprowadzającego dyrektywę 2009/125/WE dotyczącą poboru energii przez wyłączane i znajdujące się w trybie czuwania urządzenia elektroniczne do zastosowań biurowych i domowych. Po upływie 60 minut bez wejściowego sygnału audio urządzenie automatycznie przejdzie w tryb czuwania. Informacje na temat przywrócenia normalnego działania można znaleźć w instrukcji obsługi.

### Ważna informacja:

Niniejsze urządzenie jest wyposażone w funkcję trybu oszczędzania energii: jeśli w ciągu 60 minut nie jest podawany do niego żaden sygnał wejściowy, urządzenie automatycznie przejdzie w tryb czuwania w celu oszczędzania energii (norma ERP 2). Należy zauważyć, że ustawienie niskiego poziomu głośności w źródle sygnału audio może zostać rozpoznane jako stan „braku sygnału audio”: może to mieć wpływ na zdolność wykrywania sygnału z urządzenia oraz spowodować automatycznie przejście w tryb czuwania. W takim wypadku należy przywrócić transmisję sygnału audio lub zwiększyć poziom głośności w źródle sygnału audio (odtwarzacz MP3 itp.) w celu wznowienia odtwarzania. Jeśli problem nie ustąpi, prosimy o kontakt z lokalnym serwisem.

## LOKALIZACJA ELEMENTÓW STEROWANIA



## Elementy obsługi

1. Uchwyt;
2. Antena FM;
3. Pokrywa CD;
4. Przycisk Pauza;
5. Przycisk Stop / Wsuń;
6. Przycisk przewijania do przodu;
7. Przycisk cofania;
8. Przycisk odtwarzania;
9. Przycisk nagrywania;
10. Przycisk 10 / Fold / M.-;
11. Przycisk 10 / Fold / M.+;
12. Przycisk odtwarzania / pauzy;
13. Przycisk Stop;
14. Przycisk zmniejszania głośności;
15. Przycisk zwiększania głośności;
16. Przycisk trybu gotowości / funkcji;
17. Przycisk Następny / Tune +;
18. Przycisk trybu programowania / pamięci / tryb odtwarzania;
19. Przycisk Poprzedni / Tune -;
20. Głośnik;
21. Komora kasety;
22. Gniazdo AC;
23. Komora baterii;
24. Gniazdo słuchawkowe;
25. Gniazdo AUX;
26. Wyświetlacz LCD;
27. Port USB;

### ŹRÓDŁO ZASILANIA

Urządzenie może być zasilane z sieci elektrycznej oraz z baterii.

#### Zasilanie z sieci elektrycznej

Podłącz jedną wtyczkę kabla zasilania do gniazda w urządzeniu, a drugą wtyczkę do gniazda ściennego. Baterie zostaną automatycznie odłączone.

#### Zasilanie z baterii

Otwórz drzwiczki komory baterii. Włóż 6 baterii UM-1/D (nie wchodzi w skład zestawu) do komory. Przestrzegaj wskazanej polaryzacji.

### PRZESTROGA

Należy wyjąć baterie z urządzenia, gdy nie będzie ono używane przez dłuższy czas. Baterie zawierają substancje chemiczne, dlatego też należy je prawidłowo utylizować.

### FUNKCJE PODSTAWOWE

#### Włączanie urządzenia

Po podłączeniu zasilania naciśnij przycisk trybu gotowości / funkcji, aby włączyć urządzenie, a następnie naciśnij przycisk trybu gotowości / funkcji, aby wybrać tryb CD / USB / AUX / TAPE lub RADIO. Długie naciśnięcie przycisku trybu gotowości / funkcji wyłącza urządzenie  
UWAGA: W trybie CD / USB / AUX / TAPE, gdy urządzenie pozostaje bez odtwarzania przez 60 minut, automatycznie przełączy się w tryb gotowości. W trybie odtwarzania kaset urządzenie automatycznie przełączy się w tryb gotowości, gdy kaseeta nie będzie odtwarzana przez 60 minut. Aby ponownie włączyć urządzenie, naciśnij przycisk trybu gotowości / funkcji lub ponownie podłącz urządzenie.

**Wskazówki dotyczące wyłączeń elektrostatycznych** - jeśli działanie urządzenia jest zakłócone wyłączeniami elektrostatycznymi, należy go wyłączyć i ponownie włączyć.

### **Regulacja głośności**

Naciśnij przycisk VOL. + / -, aby zwiększyć lub zmniejszyć głośność.

### **Gniazdo słuchawkowe**

W celu dyskretnego odsłuchu, podłącz słuchawki z wtyczką 3,5 mm (nie dołączone) do gniazda słuchawkowego. Wyjście głośnikowe zostanie automatycznie wyłączone.

**Ostrzeżenie:** Zbyt długie używanie słuchawek przy wysokim poziomie głośności może mieć wpływ na pogorszenie słuchu.

### **Obsługa radia FM**

Przed rozpoczęciem słuchania radia należy w pełni wysunąć antenę FM i spróbować przenieść urządzenie obok okna, aby uzyskać lepszy odbiór sygnału; naciśnij przycisk trybu gotowości / funkcji, aby przejść do trybu radia FM.

1. Wyszukiwanie i skanowanie stacji FM: krótko naciśnij przycisk Tune +/- w celu zwiększenia lub zmniejszenia częstotliwości FM o 0,05 MHz. Naciśnij i przytrzymaj przycisk Tune +/- 2 sekundy, aby automatycznie skanować i odtwarzać dostępne stacje w górę lub w dół pasma; naciśnij i przytrzymaj go, aby zeskanować następną stację.
2. Ręczne zapamiętywanie stacji radiowych: Po wybraniu ulubionej stacji radiowej przyciskiem Tune +/- naciśnij przycisk programowanie / pamięć / tryb odtwarzania, aby rozpocząć programowanie; naciskaj przycisk 10 / fold / M.- lub 10 / fold / M. +, aby wybrać numer, pod którym chcesz zaprogramować stację (maksymalna ilość zaprogramowanych stacji - 40), naciśnij ponownie przycisk programowania / pamięci / trybu odtwarzania, aby potwierdzić wybór; stacja zostanie zapisana pod wybranym numerem.
3. Automatyczne programowanie stacji radiowych (automatyczne skanowanie i programowanie do 40 stacji): Krótko naciśnij przycisk odtwarzania / pauzy aby uruchomić tryb automatycznego skanowania i zapamiętywania dostępnych stacji radiowych; krótko naciśnij przycisk 10 / fold / M.- lub 10 / fold / M. +, aby wybrać zaprogramowaną stację.

### **OBSŁUGA MAGNETOFONU**

#### **Odtwarzanie muzyki z kasety**

Należy naprężyć taśmę w kasecie przed jej włożeniem do urządzenia. Włóż otówek lub długopis w otwór kasety i obracaj go, aby naprężyć taśmę. Naciśnij przycisk zatrzymania/otwarcia, aby otworzyć kieszeń kasety.

Włóż kasetę do kieszeni (część z widoczną taśmą skierowana do góry i pełna szpula z lewej strony), dociśnij do końca i zamknij kieszeń. Nie wolno dotykać taśmy. Ustaw przełącznik taśmy w położeniu TAPE i naciśnij przycisk odtwarzania kasety. Aby zatrzymać odtwarzanie, naciśnij przycisk zatrzymania/otwarcia kieszeni. Aby wyjąć kasetę, ponownie naciśnij przycisk zatrzymania/otwarcia kieszeni.

#### **AUTO STOP**

Gdy taśma dotrze do końca podczas odtwarzania lub nagrywania, wbudowany system automatycznego zatrzymywania zwolni przycisk odtwarzania lub nagrywania. System automatycznego zatrzymywania spowoduje, że podczas nagrywania z wbudowanego radia lub odtwarzacza CD funkcja auto stop zatrzyma tryb nagrywania gdy taśma dotrze do końca a radio lub odtwarzacz CD będzie nadal pracował.

### Nagrywanie z radia

1. Włóż pustą taśmę do komory kasety i zamknij drzwiczki.
2. Naciśnij przycisk trybu gotowości / funkcji, aby wybrać tryb FM.
3. Wybierz żądaną stację, naciskając przycisk następnny / TUN. + lub poprzedni / TUN-.
4. Naciśnij przycisk nagrywania, aby rozpocząć nagrywanie. Przycisk nagrywania i odtwarzania wcisną się jednocześnie.
5. Naciśnij przycisk stop / wysuń w celu zakończenia nagrywania.
6. Aby usłyszeć, co zostało nagrane, postępuj zgodnie z instrukcjami dotyczącymi odtwarzania kasety.

Uwaga: Chwilowe wstrzymanie nagrywania - użyj przycisku pauza przy odtwarzaczu kaset zamiast stop/wysuń w celu chwilowego przerwania nagrywania. Naciśnij ponownie przycisk pauza, aby wznowić nagrywanie.

### Nagrywanie z CD / USB / AUX

1. Włóż pustą taśmę do komory kasety i zamknij drzwiczki.
2. Naciśnij przycisk trybu gotowości / funkcji, aby wybrać tryb CD, USB lub AUX.
3. Załaduj płytę CD lub włóż urządzenie USB lub podłącz zewnętrzne urządzenie audio do gniazda AUX, a następnie wybierz żądany utwór, który chcesz nagrać.
4. Naciśnij przycisk odtwarzaj / pauza, aby rozpocząć odtwarzanie. Naciśnij przycisk nagrywania, aby rozpocząć nagrywanie. Przycisk nagrywania i odtwarzania wcisną się jednocześnie.
5. Naciśnij przycisk pauza, aby przerwać lub edytować nagrywanie. Naciśnij go ponownie, aby wznowić nagrywanie.
6. Naciśnij przycisk stop / wysuń w celu zakończenia nagrywania.
7. Aby usłyszeć, co zostało nagrane, postępuj zgodnie z instrukcjami dotyczącymi odtwarzania kasety.

### Rodzaje kaset

Używaj wyłącznie kaset o wysokiej jakości (IEC TYPE 1) do nagrywania. W tym urządzeniu nie zaleca się używania kaset C120.

Dbaj o mechanizm magnetofonu

Co 10 godzin pracy urządzenia należy wyczyścić głowicę i kółko dociskowe/rolkę.



Głowica odtwarzająca i powierzchnia rolki dociskowej są delikatne i nie wolno ich dotykać metalowymi przedmiotami, jak np. wkrętakiem. Podzespoły magnetofonu można łatwiej wyczyścić, naciskając przycisk odtwarzania w celu wysunięcia głowicy i rolki dociskowej. Po wyczyszczeniu mechanizmu należy nacisnąć przycisk zatrzymania. Po wyłączeniu zasilania i pozostawieniu włączonego przycisku odtwarzania może dojść do uszkodzenia rolki dociskowej. W żadnym wypadku nie wolno smarować elementów urządzenia.

### OBŚŁUGA CD/MP3

#### Płyty, które można odtwarzać

Urządzenie umożliwia odtwarzanie wszystkich płyt audio CD, sfinalizowanych cyfrowych płyt MP3, WMA CD-R, sfinalizowanych, cyfrowych płyt audio CD-R i płyt CD/CD-R/CD-RW w formacie CD-DA.



### **Ładowanie płyty**

1. Naciśnij przycisk trybu gotowości / funkcji, aby wybrać tryb CD.
2. Otwórz kieszeń płyty CD. Na wyświetlaczu pojawi się komunikat „OPEN”.
3. Włóż płytę do kieszeni (etykietą do góry).
4. Zamknij pokrywę kieszeni płyt. Całkowita liczba utworów jest wyświetlana na ekranie po zakończeniu odczytu.
5. Aby wyjąć płytę CD, naciśnij przycisk stop i otwórz pokrywę, złap płytę za krawędzie i wyjmij ją.

### **Uwaga:**

1. Aby zapewnić poprawne działanie urządzenia, należy poczekać aż do ukończenia odczytu płyty przez odtwarzacz.
2. Gdy w odtwarzaczu nie ma płyty lub płyta jest włożona odwrotnie (etykietą w dół), zostanie wyświetlony komunikat „NO CD”.

### **Odtwarzanie płyty**

Po włożeniu płyty odtwarzanie rozpocznie się automatycznie od utworu 1.

Aby wstrzymać odtwarzanie, naciśnij przycisk odtwarzanie / pauza. Wskaźnik odtwarzania będzie migać i aktualny numer utworu pojawi się na wyświetlaczu.

Aby wznowić odtwarzanie, ponownie naciśnij przycisk odtwarzania / pauzy.

Aby zatrzymać odtwarzanie, naciśnij przycisk Stop, na wyświetlaczu pojawi się całkowita liczba utworów.

### **Wybór żądanego utworu/miejsca**

#### **Aby wybrać żądany utwór**

Naciskaj kolejny przycisk następny / TUN. + lub poprzedni / TUN.- aż do wyświetlenia numeru żądanego utworu.

#### **Aby znaleźć określone miejsce w utworze w trakcie odtwarzania (przeszukiwanie utworu z dużą prędkością)**

Naciśnij i przytrzymaj przycisk następny / TUN. + lub poprzedni / TUN.-, aby wykonać przewijanie bieżącego utworu z dużą prędkością do określonego miejsca, a następnie zwolnij przycisk. Odtwarzanie rozpocznie się od tego miejsca.

#### **Aby wybrać utwór, którego numer jest większy od 10 (tylko płyty MP3)**

Aby wybrać utwór/ścieżkę, której numer jest większy od 10, naciśnij przycisk 10 / fold / M.- lub 10 / fold / M. +, aby każdorazowo przeskoczyć do przodu/do tyłu o 10 utworów, a następnie naciśnij przycisk następny / TUN. + lub poprzedni / TUN.-, aby wybrać żądany utwór. Aby przykładowo wybrać 17-ty utwór, naciśnij przycisk 10 / fold / M. +, a następnie sześciokrotnie przycisk następny / TUN. +.

#### **Aby wybrać żądany folder (tylko wtedy, gdy płyta MP3 zawiera więcej niż jeden folder)**

Aby pominąć żądany folder podczas odtwarzania, naciśnij i przytrzymaj przycisk 10 / fold / M.- lub 10 / fold / M. +, przez około 2 sekundy, aby przejść do następnego/poprzedniego folderu.

### **Programowanie ścieżek**

Programowanie ścieżek jest możliwe tylko w trybie zatrzymania. W pamięci odtwarzacza można zaprogramować w dowolnej kolejności do 20 utworów CD/99 ścieżek MP3.

1. W trybie zatrzymania naciśnij przycisk programowania / pamięci / trybu odtwarzania; symbol „PROG” zacznie migać i włączy się wskaźnik „P01”.
2. Naciśnij przycisk następny / TUN. + lub poprzedni / TUN.-, aby wybrać pierwszy utwór do zaprogramowania.

3. Naciśnij przycisk programowania / pamięci / trybu odtwarzania, aby go zatwierdzić. Wskazanie wyświetlacza zmieni się na „P02”.
4. Powtórz czynności z punktów 2 i 3, aby zapisać inne utwory aż do zaprogramowania wszystkich utworów.
5. Naciśnij przycisk odtwarzania / pauzy, aby uruchomić odtwarzanie od pierwszego zaprogramowanego utworu.
6. Naciśnij przycisk stop, aby zatrzymać programowane odtwarzanie.

#### **Aby skasować pamięć (program odtwarzania)**

Program można skasować na dwa sposoby:

1. Naciśnij przycisk stop przy zatrzymanym odtwarzaniu, lub
2. Otwórz kieszeń płyty - program zostanie skasowany.

#### **Funkcja powtarzania (REPEAT)**

Aby powtórzyć odtwarzanie jednego utworu

1. Naciśnij raz przycisk programowania / pamięci / trybu odtwarzania w trybie odtwarzania; na wyświetlaczu pojawi się symbol „R”, który zacznie migać. Bieżący utwór będzie odtwarzany wielokrotnie aż do naciśnięcia przycisku stop.
2. Aby anulować funkcję powtarzania, naciśnij przycisk programowania / pamięci / trybu odtwarzania do momentu, w którym symbol „R” zniknie z wyświetlacza LCD.

#### **Aby powtórzyć odtwarzanie wszystkich utworów**

1. Naciśnij przycisk programowania / pamięci / trybu odtwarzania w trybie odtwarzania aż do zaświecenia się symbolu „R” na wyświetlaczu; wszystkie utwory na płycie będą powtarzane aż do naciśnięcia przycisku stop.
2. Aby anulować funkcję powtarzania, naciśnij przycisk programowania / pamięci / trybu odtwarzania do momentu, w którym symbol „R” zniknie z wyświetlacza LCD.

#### **Aby powtórzyć bieżący folder (tylko MP3)**

1. Naciśnij przycisk programowania / pamięci / trybu odtwarzania w trybie odtwarzania aż do zaświecenia się symbolu „FOLDER” na wyświetlaczu; bieżący folder będzie powtarzany aż do naciśnięcia przycisku stop.
2. Aby anulować funkcję powtarzania, naciśnij przycisk programowania / pamięci / trybu odtwarzania do momentu, w którym symbol „FOLDER” zniknie z wyświetlacza LCD.

#### **Odtwarzanie losowe**

Naciśnij przycisk programowania / pamięci / trybu odtwarzania w trybie odtwarzania aż do zaświecenia się symbolu „RDM” na wyświetlaczu; odtwarzanie losowe rozpocznie się automatycznie od następnego utworu aż do odtworzenia wszystkich utworów, a następnie zatrzyma się.

Naciśnij jeden raz przycisk programowania / pamięci / trybu odtwarzania, aby anulować.

#### **Odtwarzanie wstępne (Intro)**

Naciśnij przycisk programowania / pamięci / trybu odtwarzania w trybie odtwarzania aż do pojawienia się „INTRO” na wyświetlaczu, odtwarzanie i skanowanie 10 sekundowych fragmentów utworów rozpocznie się automatycznie. Aby anulować odtwarzanie wstępne, naciśnij przycisk programowania / pamięci / trybu odtwarzania do momentu aż z wyświetlacza zniknie symbol „INTRO”.



**Obsługa USB**

1. Naciśnij przycisk trybu gotowości / funkcji, aby wybrać tryb USB.
2. Podłącz pamięć USB do gniazda USB. Wyświetlacz LCD pokaże całkowitą liczbę utworów i folderów zapisanych w pamięci USB. Po odczytaniu pamięci USB urządzenie rozpocznie odtwarzanie automatycznie.
3. Naciśnij przycisk stop, aby zatrzymać odtwarzanie. Wyświetlacz pokaże całkowitą liczbę utworów w USB.
4. Funkcje odtwarzania z powtarzaniem (powtarzanie 1 utworu, folderu i wszystkich utworów) zostały opisane w rozdziale „OBSTŁUGA CD/MP3”.

**Uwaga:**

1. Nie używaj kabla przedłużającego USB do podłączenia pamięci USB, ponieważ może to powodować zakłócenia
2. Port USB jest dostępny tylko do odtwarzania muzyki. Nie obsługuje funkcji ładowania dla dowolnego urządzenia zewnętrznego.
3. Maksymalny rozmiar pamięci, który może być obsługiwany, wynosi do 32 GB. USB jest przeznaczony tylko do odtwarzania muzyki. Większość plików MP3 jest obsługiwana, a inne formaty muzyczne nie mogą być odtwarzane.
4. Odtwarzanie ze smartfona za pośrednictwem kabla USB i zaszyfrowanych urządzeń USB może nie być obsługiwane w tym urządzeniu.

**Obsługa złącza AUX**

W urządzeniu jest dostępne gniazdo AUX 3,5 mm do podłączenia odtwarzacza MP3 oraz innych źródeł celem wzmocnienia sygnału audio.

1. Naciśnij przycisk trybu gotowości / funkcji, aby wybrać tryb AUX.
2. Podłącz kabel audio (nie dołączony) do gniazda AUX IN, a drugi koniec połącz z gniazdem AUDIO OUT zewnętrznego źródła dźwięku. Urządzenie automatycznie przełączy się na tryb AUX.
3. Ustaw żądany poziom głośności na tym urządzeniu.
4. Naciśnij przycisk odtwarzania na zewnętrznym źródle sygnału audio (np. odtwarzaczu MP3), aby rozpocząć odtwarzanie.

**Specyfikacja**

Zasilanie: AC100-240V ~ 60 / 50Hz

DC 9V UM-1 x 6szt. (baterie nie wchodzą w skład zestawu)

Ciężar ok. 1.46 kg

Wymiary ok. 285 mm (W) x 213 mm (D) x 140 mm (H)

Temperatura pracy +5 o C - +45 o C

Pasma FM 87,5-108 MHz

Maksymalna pojemność obsługiwanych pamięci USB - 32 GB

Laser 3 - wiązki

Pasma przenoszenia 100 Hz - 16KHz

System nagrywania 2 kanały (stereofoniczny)

Bias System DC Bias

Pasma przenoszenia 125 - 6,3 KHz

Wow and flutter 0.35% WRMS (JIS)

Moc wyjściowa 1,5 W x 2

Pobór mocy 13Watów

Pobór mocy w trybie gotowości <0.5W

(powyższa specyfikacja może ulec zmianie bez wcześniejszego powiadomienia)

## DŮLEŽITÉ BEZPEČNOSTNÍ POKYNY



**CAUTION**



NEBEZPEČÍ ÚRAZU ELEKTRICKÝM  
PROUDEM NEOTVÍREJTE

CZECH

### Důležité bezpečnostní pokyny

#### Upozornění:

Pro snížení rizika úrazu elektrickým proudem nezasahujte do vnitřních částí přístroje a neodstraňujte jeho kryt. V případě poruchy svěťte servis produktu autorizovanému servisu.

### Vysvětlení grafických symbolů:



Symbol blesku v trojúhelníku označuje neizolovaný materiál v jednotce, který může způsobit úraz elektrickým proudem. Pro bezpečnost všech ve vaší domácnosti, prosím, neodstraňujte kryt výrobku.



Symbol vykřičníku v trojúhelníku upozorňuje na funkce, o kterých byste si měli pozorně přečíst přiložené informace, abyste zabránili potížím s provozem a údržbou zařízení.

K dosažení vaší nejvyšší spokojenosti a radosti z používání našeho produktu, přečtěte si prosím nejdříve pečlivě tento návod a seznamte se s jeho funkcemi před tím, než jej začnete používat. To vám zajistí léta bezproblémového výkonu produktu a požitek z hudby.

### Důležitá upozornění

- Tyto bezpečnostní a provozní pokyny uchovejte pro budoucí použití.
- Přístroj nesmí být vystaven vodě a umístěn ve vlhkém prostředí (např. v koupelně).
- Výrobek by neměl být umístěn:
  - na místech vystavených přímému slunečnímu záření nebo v blízkosti topných těles.
  - na jiných stereofonních zařízeních, která vyzařují příliš tepla.
  - na místech, kde by bylo zamezeno ochlazování přístroje pomocí jeho ventilátoru nebo v prašném prostředí.
  - na místech, která konstantně vibrují.
  - na vlhkých a mokrých prostorách.
- v blízkosti zapálených svíček nebo jiných zdrojů otevřeného ohně.
- Výrobek používejte pouze podle pokynů v této příručce.
- Před prvním zapnutím přístroje se ujistěte, že je napájecí kabel správně připojen.
- Přes USB propojte přímo, nebo použijte USB-prodlužovací kabel, který není delší než 25 cm.

Z bezpečnostních důvodů neodstraňujte žádné kryty ani se nepokoušejte získat přístup k vnitřku výrobku. Nepokoušejte se odstranit šroubky, nebo otevírat kryt jednotky. Servis produktu a veškeré opravy vždy svěťte autorizovanému servisu a jeho kvalifikovanému personálu.

## BEZPEČNOSTNÍ POKYNY

1. Čtete pokyny – před uvedením přístroje do provozu si přečtete veškeré bezpečnostní a provozní pokyny a návod k obsluze.
2. Uchovejte návod k obsluze – tento návod k obsluze uschovejte pro budoucí použití.
3. Dbejte varování – všechna varování na produktu a v návodu k obsluze je třeba dodržovat.
4. Postupujte podle pokynů – pokyny pro provoz a bezpečnostní pokyny je třeba dodržovat.
5. Instalace – instalujte výrobek v souladu s pokyny výrobce.
6. Napájecí zdroje – tento produkt napájejte pouze z druhu zdroje, který je uveden na napájecím kabelu. Pokud si nejste jistí, jaký typ napájení máte doma, obraťte se na svého prodejce výrobků nebo místní energetickou společnost.
7. Uzemnění nebo polarizace – výrobek nemusí být uzemněn. Ujistěte se, že zástrčka napájecího kabelu je zcela zasunuta do elektrické zásuvky nebo do prodlužovacího kabelu tak, aby bylo zamezeno vzniku přechodového odporu a tím možného rizika vzniku požáru. Používáte-li prodlužovací napájecí kabel nebo neoriginální napájecí kabel od jiného výrobce, než který je dodáván jako součást balení s výrobkem, musí být tento neoriginální kabel vybaven příslušnými kontakty pro propojení s výrobkem a musí mít bezpečnostní schválení pro použití v dané zemi.
8. Ochrana napájecího kabelu – napájecí kabely by měly být vedeny tak, aby nebyly přehnuty, stačeny předměty umístěnými na nebo proti nim, po napájecím kabelu by nemělo být chozeno. Před těmito nežádoucími vlivy chraňte zejména konektory kabelů na zapojení do zásuvky a pro napojení s produktem.
9. Přetížení – nepřetěžujte elektrické zásuvky, prodlužovací kabely nebo vícenásobné zásuvky, následkem takového přetěžování je zvýšené riziko požáru nebo úrazu elektrickým proudem.
10. Větrání – výrobek musí být umístěn na řádně větrané místo. Nepokládejte výrobek na postel, pohovku, nebo jiný podobný povrch. Nezakrývejte výrobek věcmi, jako jsou ubrusy, noviny, apod.
11. Teplo – tento produkt by neměl být umístěn v blízkosti zdrojů tepla, jako jsou radiátory, regulátory tepla, kamna, zesilovače a jiná zařízení, která produkují teplo. Na přístroji nesmí být umístěn žádný zdroj otevřeného ohně, například zapálené svíčky.
12. Voda a vlhkost – pro snížení rizika požáru nebo úrazu elektrickým proudem, nevystavujte výrobek kapající, stříkající nebo tekoucí vodě a nadměrné vlhkosti, např. v sauně či koupelně. Nepoužívejte tento výrobek v blízkosti vody, například u vany, umyvadla, dřezu, kádě, ve vlhkém sklepě, v blízkosti bazénu apod.
13. Vniknutí předmětů a tekutin – nikdy nevkládejte jakékoli cizí předměty do otvorů výrobku, mohly by se dotknout míst pod vysokým napětím nebo by mohly způsobit zkrat, což může vést k požáru nebo úrazu elektrickým proudem. Nikdy nelijte jakoukoli tekutinu jakéhokoliv druhu na výrobek ani do výrobku.

Neumísťujte jakýkoli předmět obsahující tekutinu na povrch výrobku (např. váza, sklenička s vodou apod.).

14. Čištění – před čištěním odpojte výrobek z elektrické zásuvky. Prach z přístroje odstraňujte suchým hadříkem. Chcete-li používat aerosolové čisticí spreje, nastříkejte přímo na výrobek; nastříkejte čisticí prostředek na hadřík a poté aplikujte. Dávejte pozor, aby nedošlo k poškození hrací jednotky.
15. Příslušenství – nepoužívejte neoriginální příslušenství, které není doporučeno výrobcem produktu, neoriginální příslušenství může ohrozit bezpečné používání a funkci výrobku.
16. Umístění – neumísťujte výrobek na nestabilní vozík, stojan, trojnožku, konzolu nebo stolek. Výrobek může spadnout a způsobit vážné zranění dětem nebo dospělým a může dojít k vážnému poškození výrobku. Používejte pouze se stabilním vozíkem, stojanem, trojnožkou, držákem nebo stolem, nebo zařízením doporučeným výrobcem nebo prodáváním spolu s výrobkem. Pokud je nutná jakákoliv montáž výrobku, řiďte se pokyny výrobce a používejte pouze montážní příslušenství doporučené výrobcem.
17. Manipulace s produktem – při přemisťování produktu na vozíku je nutno dodržovat opatrnost. Prudká změna směru, prudké zastavení, vysoká rychlost nebo nerovný povrch mohou způsobit převrnutí vozíku a tím případné poškození produktu.
18. Období nepoužívání – pokud je zařízení delší dobu nepoužíváno musí být napájecí kabel přístroje odpojen z elektrické zásuvky. Odpojte napájecí kabel z elektrické zásuvky během bouřky.
19. Servis – nepokoušejte se o servis nebo o opravu tohoto přístroje svépomocí, otevření nebo odstranění krytů přístroje vás může vystavit nebezpečí úrazu elektrickým proudem nebo jinému nebezpečí. Veškeré opravy přístroje světe kvalifikovanému servisnímu personálu autorizovaného servisu.
20. Prosím, pokud není v provozu, odpojte napájecí kabel z hlavního zdroje energie nebo z elektrické zásuvky ve zdi. Ve chvíli, kdy je napájecí kabel zapojen ke zdroji elektrické energie, je systém v pohotovostním režimu, to znamená, že přístroj není zcela vypnutý a proudí do něj elektrická energie.
21. Náhradní díly – pokud jsou potřeba náhradní díly, ujistěte se, že servisní technik použil náhradní díly, které jsou specifikované výrobcem nebo mají stejné vlastnosti jako originální díly. Neoprávněná výměna může vést k požáru, úrazu elektrickým proudem nebo způsobit jiné nebezpečí.
22. Síťové pojistky – pro trvalou ochranu proti požáru, používejte pouze správný typ pojistek. Správná specifikace pojistek je pro každý rozsah napětí vyznačena na výrobku.
23. Nezvyšujte příliš hlasitost při poslechu pasáží s velmi nízkou úrovní hlasitosti nebo při náhlé úplné absenci zvuku. Pokud tak učiníte, může ve chvíli opětovného zvýšení úrovně hlasitosti přehrávané pasáže dojít k poškození reproduktorů.
24. Pokud chcete přístroj úplně odpojit od napájení, musíte odpojit napájecí kabel od přístroje nebo od elektrické zásuvky. Elektrická zásuvka nebo a vstup pro napájecí kabel k výrobku musí zůstat volně přístupné po celou dobu používání přístroje v provozu.
25. Je vhodné umístit produkt do blízkosti elektrické zásuvky nebo prodlužovačky, které musí být snadno přístupné.
26. Nejvyšší teplota prostředí vhodná pro tento výrobek je 35 °C.

27. ESD tip – Pokud dojde k vyresetování přístroje nebo není obnoven jeho provoz z důvodu elektrostatického výboje, je třeba výrobek vypnout, odpojit napájecí kabel a pak jej znovu připojit, případně přesunout přístroj na jiné místo.
28. Baterie
1. Baterie nesmí být vystaveny nadměrnému teplu, jako například působení přímého slunečního světla, ohně a podobně.
  2. Používané baterie by měly být vhodné pro ekologickou likvidaci baterií.
  3. **UPOZORNĚNÍ pro používání baterií** – pro zamezení úniku elektrolytu z baterie, který může způsobit poranění, poškození majetku nebo přístroje:
    - Všechny baterie nainstalujte správně, + a - jak je vyznačeno na přístroji.
    - Nekombinujte baterie (staré a nové nebo uhlíkové a alkalické apod.)
    - Pokud nebudete přístroj delší dobu požívat, vyjměte baterie ven.

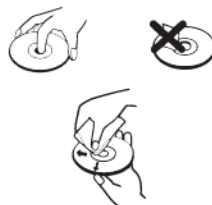
## VAROVÁNÍ

Tento spotřebič není určen pro používání osobami (včetně dětí) se sníženými fyzickými, smyslovými nebo duševními schopnostmi, nebo osobami bez patřičných zkušeností a znalostí, pokud jim nebyl poskytnut dohled nebo instrukce týkající se použití spotřebiče osobou zodpovědnou za jejich bezpečnost. Děti by měly být pod dozorem, aby se zajistilo, že si se spotřebičem nebudou hrát.

1. Nikdy nenechávejte zapnutý přístroj bez dozoru! Vypněte přístroj vždy, kdy jej nepoužíváte, byť jen na krátkou dobu.
2. Spotřebič není určen pro provoz prostřednictvím externího časovače nebo samostatného dálkového ovládání.
3. Je-li napájecí kabel poškozen, musí být nahrazen výrobcem, jeho servisním zástupcem (autorizovaným servisem) nebo obdobně kvalifikovanými pracovníky, aby se předešlo nebezpečí.
4. Před použitím tohoto systému zkontrolujte napětí, abyste se ujistili, že je totožné s napětím vaší místní elektrické sítě.
5. Přístroj nesmí mít zakryté větracích otvorů předměty, jako jsou noviny, ubrusy, záclony, atd. Ujistěte se, že nad přístrojem je nejméně 20 cm volného prostoru a kolem něj z každé strany nejméně 5 cm volného prostoru.
6. Přístroj nesmí být vystaven tekoucí, kapající nebo stříkající vodě. Předměty naplněné kapalinami, jako jsou např. vázy, nesmí být umístěny na přístroji.
7. Aby nedošlo k požáru nebo úrazu elektrickým proudem, neumísťujte toto zařízení na horkých místech, nevystavujte ho dešti, vlhkosti nebo prachu.
8. Neumisťujte tento přístroj v blízkosti jakýchkoliv zdrojů vody, např. kohouty, vany, pračky nebo bazény. Ujistěte se, že je přístroj umístěn na suchém, stabilním povrchu.
9. Neumisťujte tento přístroj v blízkosti silného magnetického pole.
10. Nepokládejte přístroj na zesilovače nebo přijímače.
11. Neumisťujte tento přístroj na vlhkém prostředí, vlhkost bude mít vliv na životnost elektrických komponent.
12. Pokud systém bezprostředně přemístíte z chladného do teplého prostředí, nebo pokud je umístěn ve velmi vlhké místnosti, může dojít ke kondenzaci vlhkosti uvnitř přehrávače. Pokud



- k tomu dojde, systém může být poškozen a nebude fungovat správně. Prosím, nechte systém zapnutý přibližně po dobu jedné hodiny, dokud se vlhkost neodpaří.
13. Nečistěte jednotku chemickými rozpouštědly, ta mohou poškodit povrch zařízení. Přístroj otřete čistým, suchým nebo lehce navlhčeným hadříkem.
  14. Při odpojování napájecího kabelu ze zásuvky, tahejte přímo za zástrčku, nikdy ne za kabel.
  15. Pokud je přístroj zapnut v blízkosti televizoru, může vlivem působení elektromagnetických vln dojít k ovlivnění funkčnosti obou zařízení. Na televizní obrazovce se mohou objevit čáry, rozpadat obraz, může být ovlivněn zvuk televizoru i přístroje, případně může být jak televizor, tak přístroj zcela nefunkční. Tomu zamezíte umístěním přístroje v dostatečné vzdálenosti od televizoru.
  16. Síťová zástrčka je používána jako odpojovací zařízení, odpojovací zařízení musí být vždy připraveno k použití.
  17. Chcete-li zachovat čtečku disků s laserovým paprskem v čistotě, nedotýkejte se jí, a vždy zavírejte zásuvku disku.
  18. Během přehrávání se disk otáčí vysokou rychlostí. NEZVEDEJTE a nepřesouvejte jednotku během přehrávání, mohlo by dojít k poškození disku nebo jednotky.
  19. Pokud budete zařízení přemísťovat nebo s ním manipulovat, vyjměte disk z přehrávače a vraťte zásuvku disku do uzavřené polohy. Poté stiskněte spínač pro vypnutí napájení a odpojte napájecí kabel. Stěhování přístroje s vloženým diskem, může způsobit poškození tohoto přístroje nebo disku.
  20. Pokud chcete disk přehrát, vložte jej zpět do zásuvky pro disk. Nevystavujte disky přímému slunečnímu světlu ani zdrojům tepla. Nikdy nenechávejte disky v automobilu zaparkovaném na plném slunci.
  21. Nedotýkejte se spodní plochy disků se zapsanými daty (skladbami). Držte disk za okraje tak, aby se zabránilo otisku prstů na povrchu disku. Jakýkoliv prach, otisky prstů nebo škrábance mohou způsobit poškození disku. Nikdy na disk nelepte nálepky nebo lepicí pásku.
  22. Pro čištění disku použijte čistý měkký hadřík bez vlasu, který není zaprášený. Nepoužívejte k čištění disku ředidla, komerčně dostupné čisticí prostředky nebo antistatické spreje na vinylové desky. Disk čistěte od středu směrem ven ke kraji v přímé lince.
  23. Chcete-li zabránit možnému poškození sluchu, neposlouchejte delší dobu hudbu a rádio puštěné příliš nahlas.



## VAROVÁNÍ: NEBEZPEČÍ ZÁŘENÍ

CLASS 1 LASER PRODUCT  
LUOKAN 1 LASERLAITE  
KLASS 1 LASERAPPARAT

Toto označení znamená, že součástí tohoto přístroje je laser. Otevřením víka zásuvky na CD a prolomením bezpečnostních zámků bude uživatel vystaven působení záření laserového paprsku. Nedívejte se do laserového paprsku, pokud je v provozu.

## PŘED UVEDENÍM DO PROVOZU

**Poznámka: V případě kompaktních disků.**

Špinavé, poškozené nebo deformované disky mohou poškodit přístroj, proto je třeba dbát následujících pokynů:

- a. Kompaktní disky, které lze použít. Používejte pouze kompaktní disky s označením uvedeným níže.



- b. Používejte CD kompaktní disky pouze s digitálními zvukovými signály.

## POZNÁMKA



Prohlášení o shodě

Blaupunkt Competence Center 2N-Everpol Sp. z o.o. tímto prohlašuje, že je toto zařízení v souladu se základními požadavky a dalšími příslušnými ustanoveními směrnice 2014/53 / EU. Prohlášení o shodě lze získat ze stránky produktu na [www.blaupunkt.com](http://www.blaupunkt.com).

Odpovědná strana: 2N-Everpol Sp. z o.o, Puławska 403A, 02-801 Varšava, Polsko,  
Tel: +48 22 331 99 59, E-mail: [info@everpol.pl](mailto:info@everpol.pl)



Naše produkty jsou navrženy a vyrobeny z vysoce kvalitních materiálů a komponent, které jsou recyklovatelné a znovu použitelné.



Je-li tento symbol přeškrtnutého kontejneru uveden na výrobku, znamená to, že výrobek podléhá směrnici 2012/19/EU. Informujte se prosím o místní systém sběru tříděného odpadu pro elektrické a elektronické výrobky. Prosím řiďte se místními pravidly a nelikvidujte staré produkty spolu s běžným komunálním odpadem. Správnou likvidací starého výrobku pomůžete předejít možným negativním dopadům na životní prostředí a lidské zdraví.



Výrobek obsahuje baterie podléhající směrnici 2006/66/EC, které nelze vyhazovat do běžného domovního odpadu. Informujte se prosím o místních pravidlech o sběru baterií, neboť správnou likvidací pomůžete předcházet negativním důsledkům pro životní prostředí a lidské zdraví.

#### **Informace týkající se životního prostředí**

Výrobek je zabalen pouze v nezbytném obalu pro jeho ochranu. Snahou naší firmy je, aby byl obalový materiál snadno rozdělitelný na tři materiály: lepenku (krabice), polystyrén (ochranné balení) a polyethylen (sáčky, ochranné fólie z lehčeného plastu). Výrobek se skládá z materiálů, které lze recyklovat a znovu použít v případě demontáže odbornou firmou. Dodržujte prosím místní předpisy týkající se likvidace obalových materiálů, vybitých baterií a starého zařízení.

Na nahrávání a přehrávání materiálů může být vyžadován souhlas. Viz Zákon o Copyrightu Act 1956 a Zákon na ochranu umělců Sk 1958-1972.

#### **ERP2 - (EnergyRelatedProducts)poznámka**

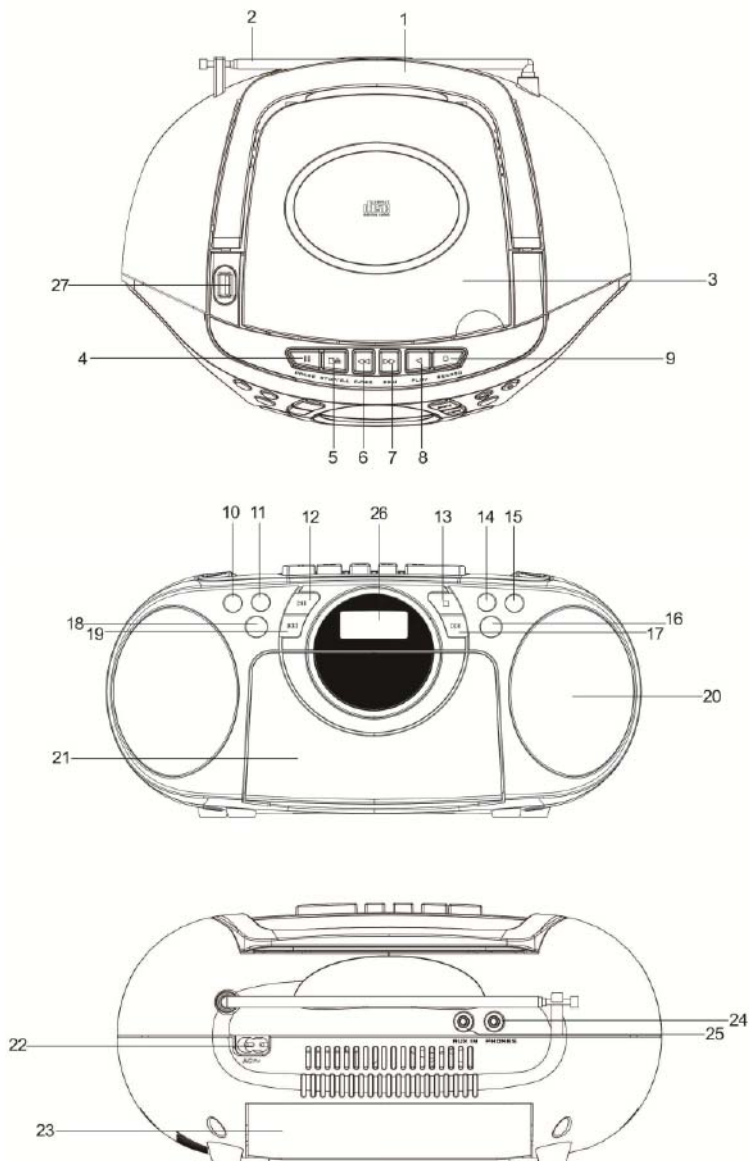
Tento výrobek je ve shodě s ecodesignem a požadavky 2. stupně (EC)1275/2008 provádějící Nařízení EU2009/125/EC ohledně spotřeby elektrické energie elektronických zařízení pro domácnosti a kanceláře v pohotovostním režimu a vypnutém stavu. Přístroj se automaticky přepne do pohotovostního režimu, pokud po dobu 60 minut nepřichází do audio vstupu žádný signál.

#### **Důležité upozornění:**

Tento přístroj je vybaven režimem pro úsporu energie: přehrávač se automaticky přepne do pohotovostního režimu, pokud po dobu 60 minut nepřichází do audio vstupu žádný signál (dle ERP2 standardu). Vezměte prosím na vědomí, že nízká hlasitost přicházejícího signálu může být interpretována zařízením jako situace kdy nepřichází žádný audio signál a může dojít k přepnutí do pohotovostního režimu. Pokud tato situace nastane, připojte znovu zdroj zvukového signálu, nebo zvýšte hlasitost zdrojového signálu (mp3 přehrávače, atp.).



## UMÍSTĚNÍ OVLÁDACÍCH PRVKŮ



**Ovládací prvky**

1. Držadlo
2. Anténa FM
3. Kryt CD
4. Tlačítko Pauza
5. Tlačítko Stop / Vysunout
6. Tlačítko převíjení vpřed
7. Tlačítko převíjení vzad
8. Tlačítko přehrávání
9. Tlačítko nahrávání
10. Tlačítko 10 / Fold / M.-
11. Tlačítko 10 / Fold / M.+ 12. Tlačítko přehrávání / pauza
13. Tlačítko Stop
14. Tlačítko snížení hlasitosti
15. Tlačítko zvýšení hlasitosti
16. Tlačítko pohotovostního režimu / funkcí
17. Tlačítko Další / Tune +
18. Tlačítko režimu programování / paměti / režimu přehrávání
19. Tlačítko Předchozí / Tune -
20. Reprodukce
21. Přihrádka na kazetu
22. Zásuvka AC
23. Bateriový prostor
24. Zdíčka pro připojení sluchátek
25. Zdíčka AUX
26. LCD displej
27. USB port

**ZDROJ NAPÁJENÍ**

Zařízení může být napájeno z elektrické sítě nebo z baterií.

**Napájení z elektrické sítě**

Zapojte jednu zástrčku napájecího kabelu do zásuvky AC na zařízení a druhou zástrčku zapojte do síťové zásuvky ve zdi. Baterie se automaticky odpojí.

**Napájení z baterií**

Otevřete dvířka bateriového prostoru. Vložte do bateriového prostoru 6 ks baterií UM-1/D (nejsou přibaleny).

Dodržte předepsanou polaritu.

**VÝSTRAHA**

Nebudete-li zařízení delší dobu používat, vyjměte z něj baterie. Baterie obsahují chemické látky, proto jejich likvidace musí probíhat v souladu s platnými předpisy o nakládání s odpady.

**ZÁKLADNÍ FUNKCE**

Zapnutí zařízení

Po připojení napájení stiskněte tlačítko pohotovostního režimu / funkcí, aby se zařízení zapnulo, a následně stiskněte tlačítko pohotovostního režimu / funkcí, čímž zvolíte příslušný režim CD / USB / AUX / TAPE nebo RADIO. Delším stisknutím tlačítka pohotovostního režimu / funkcí se zařízení vypne.

**UPOZORNĚNÍ:** Pokud je zařízení v režimu CD / USB / AUX / TAPE a po dobu 60 minut nespustíte přehrávání, přepne se automaticky do pohotovostního režimu. V režimu přehrávání kazet se zařízení automaticky přepne do pohotovostního režimu, když po dobu 60 minut nespustíte přehrávání kazety. Pro opětovné zapnutí zařízení stiskněte tlačítko pohotovostního režimu / funkcí nebo zařízení znovu připojte k napájení.

**Doporučení týkající se elektrostatických nábojů:** je-li funkce zařízení rušena elektrostatickými náboji, vypněte ho a znovu zapněte.

### **Nastavení hlasitosti**

Stiskněte tlačítko VOL. + / - pro zvýšení nebo snížení hlasitosti.

### **Zdíčka pro připojení sluchátek**

Pro diskrétní poslech připojte sluchátka s konektorem 3,5 mm (nejsou přibalena) do sluchátkové zdíčky. Výstup do reproduktorů bude automaticky odpojen.

Výstraha: Příliš dlouhé používání sluchátek při vysoké úrovni hlasitosti může způsobit zhoršení sluchu.

### **Použití FM rádia**

Před zahájením poslechu rádia zcela vysuňte FM anténu a pro lepší odběr signálu umístěte zařízení k oknu; stisknutím tlačítka pohotovostního režimu / funkcí zvolte režim FM rádio.

1. Ladění rozhlasových stanic FM: Krátkým stisknutím tlačítka Tune +/- zvýšíte nebo snížíte frekvenci FM o 0,05 MHz. Stisknutím a přidržením tlačítka Tune +/- po dobu 2 sekund spustíte automatické naladění a spuštění poslechu nejbližší dostupné stanice ve směru vyšších nebo nižších frekvencí daného pásma; opětovným stisknutím a přidržením tlačítka naladíte a spustíte další stanici.

2. Ruční ladění rozhlasových stanic: Po naladění oblíbené rozhlasové stanice tlačítkem Tune +/- stiskněte tlačítko programování / paměť / režim přehrávání, čímž se zařízení přepne do režimu programování předvoleb; jedním nebo několika stisknutím tlačítka 10 / fold / M. - nebo 10 / fold / M. + vyberte číslo předvolby, pod kterým chcete naladěnou stanici uložit (můžete takto naprogramovat neholi zapsat do paměti předvoleb celkem 40 rozhlasových stanic), a pak opětovným stisknutím tlačítka programování / paměť / režim přehrávání zvolené číslo potvrďte; tím bude stanice uložena do paměti pod zvoleným číslem předvolby.

3. Automatické ladění rozhlasových stanic (automatické naladění a zapamatování frekvencí až 40 stanic): Krátkým stisknutím tlačítka přehrávání / pauza se spustí režim automatického ladění a zapamatování dostupných rozhlasových stanic. Krátkým stisknutím tlačítka 10 / fold / M. - nebo 10 / fold / M. + vyberte jednu z předvolených stanic.

## **OVLÁDÁNÍ MAGNETOFONU**

### **Přehrávání hudby z kazety**

Před vložením kazety do zařízení napněte magnetickou pásku nacházející se uvnitř kazety.

Vložte tužku nebo propisku do jednoho z otvorů v kazetě a otáčejte cívkou uvnitř kazety, dokud magnetická páska nebude napnuta. Stisknutím tlačítka pro zastavení/otevření otevřete přihrádku na kazetu.

Vložte kazetu do přihrádky (strana kazety, na které jsou vidět cívky s páskou, musí být nahoře a plná cívka vpravo), domáčkněte kazetu a přihrádku uzavřete.

Nastavte přepínač pásky do polohy TAPE a stiskněte tlačítko přehrávání kazety.

Pro zastavení přehrávání stiskněte tlačítko zastavit/otevřit přihrádku. Pro vyjmutí kazety znovu stiskněte tlačítko zastavit/otevřit přihrádku.

### **AUTO STOP**

Když páska během přehrávání nebo nahrávání dojde do konce, vestavěný systém automatického zastavení uvolní tlačítko přehrávání nebo nahrávání. Jestliže při nahrávání z vestavěného rozhlasového přijímače nebo CD přehrávače na kazetu dojde páska na konec kazety, systém automatického zastavení v tom okamžiku vypne nahrávání na pásku, přičemž vestavěné rádio nebo vestavěný CD přehrávač, z něhož se nahrávalo, zůstane nadále zapnut.

### Nahrávání z rádia

1. Vložte prázdnou kazetu do přihrádky na kazetu a zavřete dvířka.
2. Stisknutím tlačítka pohotovostního režimu / funkcí zvolte režim FM.
3. Stisknutím tlačítka následující / TUN. + nebo předchozí / TUN. - zvolte požadovanou stanicí.
4. Stisknutím tlačítka nahrávání začněte nahrávat. Tlačítka nahrávání a přehrávání se stisknou současně.
5. Pro ukončení nahrávání stiskněte tlačítko stop / vysunout.
6. Chcete-li uslyšet, co se nahrálo, postupujte podle návodu pro přehrávání kazety.

Upozornění: Okamžité zastavení nahrávání - chcete-li nahrávání na kazetu na chvíli přerušit, použijte tlačítko pauza místo tlačítka stop/vysunout. Po dalším stisknutí tlačítka pauza bude nahrávání pokračovat.

### Nahrávání z CD / USB / AUX

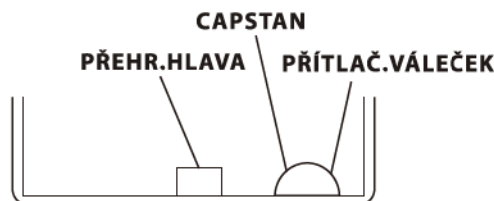
1. Vložte prázdnou kazetu do přihrádky na kazetu a zavřete dvířka.
2. Stisknutím tlačítka pohotovostního režimu / funkcí zvolte režim CD, USB nebo AUX.
3. Vložte do zařízení CD disk, připojte flash disk k portu USB nebo audio zařízení do zdířky AUX a následně vyberte skladbu, kterou chcete nahrát.
4. Stisknutím tlačítka přehrávání / pauza zapněte přehrávání. Stisknutím tlačítka nahrávání začněte nahrávat. Tlačítka nahrávání a přehrávání se stisknou současně.
5. Chcete-li nahrávání přerušit nebo upravit, stiskněte tlačítko pauza. Po dalším stisknutí tlačítka pauza bude nahrávání pokračovat.
6. Pro ukončení nahrávání stiskněte tlačítko stop / vysunout.
7. Chcete-li uslyšet, co se nahrálo, postupujte podle návodu pro přehrávání kazety.

### Druhy kazet

Používejte pouze vysoce kvalitní kazety (IECTYPE 1) určené k nahrávání. V tomto zařízení se nedoporučuje používat kazety typu C120.

### Údržba mechanismu magnetofonu

Po každých 10 hodinách provozu vyčistěte snímací hlavu magnetofonu a přítlačný váleček/kladku.



Snímací hlava a povrch přítlačného válečku jsou velmi citlivé, proto nesmí přijít do styku s kovovými předměty, např. šroubovákem. Pro lepší přístup k těmto dílům během čištění stiskněte tlačítko přehrávání, aby se hlava a přítlačný váleček vysunuly. Po vyčištění mechanismu stiskněte tlačítko stop, aby se hlava a váleček vrátily do výchozí polohy. Po vypnutí napájení nenechávejte tlačítko pro spuštění přehrávání ve stisknuté poloze - mohlo by dojít k poškození přítlačného válečku. Mechanismus magnetofonu ničím nepromazávejte.

### OVLÁDÁNÍ PŘEHRÁVAČE CD/MP3

#### Disky, které lze přehrávat

Zařízení umožňuje přehrávat všechny typy kompaktních disků audio CD, uzavřené digitální disky MP3, WMA CD-R, uzavřené, digitální disky audio CD-R a disky CD/CD-R/CD-RW ve formátu CD-DA.

### Vkládání disku

1. Stisknutím tlačítka pohotovostního režimu / funkcí zvolte režim CD.
  2. Otevřete prostor pro kompaktní disk. Na displeji se zobrazí nápis „OPEN“.
  3. Vložte kompaktní disk do prostoru přehrávače (štítkem nahoru).
  4. Uzavřete kryt přehrávače. Po načtení disku se na displeji zobrazí celkový počet skladeb.
5. Chcete-li kompaktní disk z přehrávače vyjmout, stiskněte tlačítko stop, otevřete kryt přehrávače, uchopte disk za jeho hrany a vyjměte jej.

### Upozornění:

1. Pro zajištění správné funkce zařízení je nutné po vložení kompaktního disku počkat, až přehrávač načte jeho obsah.
2. Jestliže v přehrávači není vložen žádný disk nebo je disk vložen obráceně (štítkem dolů), zobrazí se na displeji zpráva „NO CD“.

### Přehrávání kompaktního disku

Po vložení disku se automaticky spustí jeho přehrávání od první skladby.

Chcete-li přehrávání disku přerušit, stiskněte tlačítko přehrávání / pauza. Kontrolka přehrávání bude blikat a na displeji se zobrazí číslo aktuální skladby.

Chcete-li pokračovat v přehrávání, stiskněte opět tlačítko přehrávání / pauza.

Chcete-li přehrávání disku ukončit, stiskněte tlačítko Stop a na displeji se zobrazí celkový počet skladeb.

### Volba požadované skladby/místa

#### Volba požadované skladby:

Tiskněte postupně tlačítko následující / TUN. + nebo předchozí / TUN. -, dokud se na displeji neobjeví číslo požadované skladby.

#### Vyhledání určitého místa v dané skladbě během jejího přehrávání (rychlé převíjení):

Stiskněte a přidržte tlačítko následující / TUN. + nebo předchozí / TUN. - pro rychlé převínutí aktuální skladby na požadované místo a pak tlačítko uvolněte. Přehrávání začne od tohoto místa.

#### Volba skladby, jejíž pořadové číslo je větší než 10 (pouze u MP3 disků)

Chcete-li zvolit skladbu/stopu, jejíž pořadové číslo je větší než 10, stiskněte tlačítko 10 / fold / M. - nebo 10 / fold / M. +, čímž se přesunete o 10 skladeb dopředu nebo dozadu, a pak se tlačítky následující / TUN. + nebo předchozí / TUN. - přesuňte na požadovanou skladbu z rozmezí intervalu. Např. pro zvolení skladby č. 17 nejprve stiskněte jednou tlačítko 10 / fold / M. + a pak šestkrát tlačítko následující / TUN. +.

#### Volba požadovaného adresáře (je-li na disku MP3 více než jeden adresář)

Chcete-li během přehrávání přeskočit do předchozího nebo následujícího adresáře, stiskněte tlačítko 10 / fold / M. - nebo 10 / fold / M. + a držte stisknuté cca 2 sekundy.

### Programování pořadí stop (skladeb)

Programování stop je možné pouze v režimu zastavení. Do paměti přehrávače můžete naprogramovat libovolné pořadí přehrávání nejvýše 20 skladeb CD nebo 99 skladeb MP3.

1. V režimu zastavení stiskněte tlačítko programování / paměti / režimu přehrávání; na displeji začne blikat nápis „PROG“ a zobrazí se označení „P01“.
2. Tisknutím tlačítka následující / TUN. + nebo předchozí / TUN. - zvolte číslo stopy, kterou chcete přehrát jako první.
3. Stisknutím tlačítka programování / paměti / režimu přehrávání volbu potvrďte. Označení na displeji se změní na „P02“.
4. Opakováním činností z bodů 2 a 3 postupně naprogramujte pořadí, ve kterém mají být zvolené stopy (skladby) přehrávány.
5. Stisknutím tlačítka přehrávání / pauza spustíte přehrávání zvolených skladeb v naprogramovaném pořadí.
6. Stisknutím tlačítka stop ukončíte naprogramované přehrávání.



**Vymazání paměti (programu přehrávání)**

Program lze vymazat dvojím způsobem:

1. stisknutím tlačítka stop při zastaveném přehrávání, nebo
2. otevřením víka přehrávače kompaktních disků - program se smaže.

**Funkce opakování (REPEAT)**

Opakované přehrávání jedné skladby:

1. V režimu přehrávání stisknete tlačítka programování / paměti / režimu přehrávání; na displeji se zobrazí symbol „**R**“, který začne blikat. Aktuální skladba bude přehrávána opakovaně, dokud nestisknete tlačítka stop.
2. Funkci opakování zrušíte několikerým stisknutím tlačítka programování / paměti / režimu přehrávání, dokud symbol „**R**“ nezmizí z LCD displeje.

**Opakované přehrávání všech skladeb:**

1. V režimu přehrávání několikrát stisknete tlačítka programování / paměti / režimu přehrávání, až se na displeji zobrazí symbol „**R**“; od toho okamžiku budou všechny skladby z disku přehrávány opakovaně, dokud nestisknete tlačítka stop.
2. Funkci opakování zrušíte několikerým stisknutím tlačítka programování / paměti / režimu přehrávání, dokud symbol „**R**“ nezmizí z LCD displeje.

**Opakované přehrávání všech skladeb z aktuálního adresáře (pouze MP3):**

1. V režimu přehrávání několikrát stisknete tlačítka programování / paměti / režimu přehrávání, až se na displeji zobrazí nápis „**FOLDER**“; od toho okamžiku budou všechny skladby z aktuálního adresáře přehrávány opakovaně, dokud nestisknete tlačítka stop.
2. Funkci opakování zrušíte několikerým stisknutím tlačítka programování / paměti / režimu přehrávání, dokud nápis „**FOLDER**“ nezmizí z LCD displeje.

**Přehrávání v náhodném pořadí**

V režimu přehrávání několikrát stisknete tlačítka programování / paměti / režimu přehrávání, až se na displeji zobrazí nápis „**RDM**“; přehrávání skladeb v náhodném pořadí začne od následující skladby a bude pokračovat až do přehrávání všech skladeb z disku, poté se přehrávání zastaví.

Pro zrušení režimu náhodného přehrávání stisknete jedenkrát tlačítka programování / paměti / režimu přehrávání.

**Přehrávání ukázek skladeb (Intro)**

V režimu přehrávání stisknete několikrát tlačítka programování / paměti / režimu přehrávání, až se na displeji objeví nápis „**INTRO**“. Tím se automaticky spustí přehrávání desetisekundových fragmentů jednotlivých skladeb. Funkci přehrávání ukázek zrušíte opakovaným stisknutím tlačítka programování / paměti / režimu přehrávání, dokud nápis „**INTRO**“ nezmizí z LCD displeje.

**Přehrávání z přenosné paměti USB**

1. Stisknutím tlačítka pohotovostního režimu / funkcí zvolte režim USB.
2. Přenosnou paměť USB zapojte do zásuvky USB. Na LCD displeji se zobrazí celkový počet skladeb (zvukových souborů) a adresářů obsažených v paměti USB. Po načtení obsahu přenosné paměti USB začne zařízení automaticky přehrávat jednotlivé skladby (zvukové soubory).
3. Stisknutím tlačítka stop přehrávání zastavíte. Na LCD displeji se zobrazí celkový počet skladeb (zvukových souborů) obsažených v paměti USB.
4. Funkce opakovaného přehrávání (opakování 1 skladby, adresáře a všech skladeb) jsou popsány v kapitole „**OVĽÁDÁNÍ PŘEHŘÁVAČE CD/MP3**“.

**Upozornění:**

- 1 Nepřipojujte přenosnou paměť USB pomocí prodlužovacího kabelu USB, protože to může způsobit poruchy při přenosu dat.
- 2 Port USB slouží pouze k přehrávání hudby (zvukových souborů). Nelze ho použít k nabíjení jiných zařízení pomocí USB kabelu.
- 3 Maximální velikost paměti, kterou zařízení dokáže přečíst, činí 32 GB. Port USB slouží pouze k přehrávání hudby (zvukových souborů). Podporována je většina souborů ve formátu MP3, kompatibilita jiných zvukových formátů není zaručena.
- 4 Možnost přehrávání zvukových souborů z chytrých telefonů připojených pomocí USB kabelu nebo zvukových souborů ze zašifrovaných USB pamětí na tomto zařízení není zaručena.

**Využití konektoru AUX**

V zařízení je k dispozici zdířka AUX 3,5 mm pro připojení přehrávače MP3 nebo jiných zdrojů za účelem zesílení jejich výstupního audio signálu.

1. Stisknutím tlačítka pohotovostního režimu / funkcí zvolte režim AUX.
2. Zapojte kabel audio (není přibaleno) do zdířky AUX IN a jeho druhý konec zapojte do zdířky AUDIO OUT vnějšího zdroje audio signálu. Zařízení se automaticky přepne do režimu AUX.
3. Nastavte na tomto zařízení požadovanou hlasitost zvuku.
4. Pro zahájení přehrávání stiskněte příslušné tlačítko spouštějící přehrávání na vnějším zdroji audio signálu (např. přehrávači MP3).

**Specifikace**

Napájení: AC 100-240V ~ 60 / 50Hz

DC 9V UM-1 x 6 ks (baterie nejsou přibaleny)

Hmotnost: cca 1,46 kg

Rozměry: cca 285 mm (Š) x 213 mm (H) x 140 mm (V)

Provozní teplota: +5 °C až +45 °C

Kmitočtový rozsah FM: 87,5-108 MHz

Maximální velikost podporované paměti USB: 32 GB

Laser: 3 svazky

Frekvenční rozsah: 100 Hz - 16kHz

Systém nahrávání: 2 kanály (stereofonní)

Bias System DC Bias

Frekvenční rozsah: 125 Hz - 6,3 kHz

Wow and flutter 0,35% WRMS (JIS)

Výstupní výkon: 1,5 W x 2

Příkon: 13W

Příkon v pohotovostním režimu: < 0,5 W

(výše uvedená specifikace může být změněna bez předchozího upozornění)

## DÔLEŽITÉ BEZPEČNOSTNÉ POKYNY



**CAUTION**



NEBEZPEČIE ÚRAZU ELEKTRICKÝM PRÚDOM  
NEOTVÁRAJTE

### Dôležité bezpečnostné pokyny

#### Upozornenie:

Pre zníženie rizika úrazu elektrickým prúdom nezasahujte do vnútorných častí prístroja a neodstraňujte jeho kryt. V prípade poruchy zverte servis produktu autorizovanému servisu.

#### Vysvetlenie grafických symbolov:



Symbol blesku v trojuholníku označuje neizolovaný materiál v jednotke, ktorý môže spôsobiť úraz elektrickým prúdom. Kvôli bezpečnosti všetkých v domácnosti, prosím neodstraňujte kryt výrobku.



Symbol výkričníku v trojuholníku upozorňuje na funkcie, o ktorých by ste si mali pozorne prečítať priložené informácie, aby ste zabránili problémom s prevádzkou a údržbou zariadenia.

K dosiahnutiu vašej najvyššej spokojnosti a radosti z používania nášho produktu, prečítajte si prosím najskôr pozorne tento návod a zoznámte sa s jeho funkciami pred tým, ako ho začnete používať. To vám zaistí roky bezproblémového výkonu produktu a pôžitok z hudby.

## DÔLEŽITÉ UPOZORNENIA

- Tieto bezpečnostné a prevádzkové pokyny uchovajte pre budúce použitia.
- Prístroj nesmie byť vystavený vode a umiestnený vo vlhkom prostredí (napr. v kúpeľni).
- Výrobok nesmie byť umiestnený:
  - na miestach vystavených priamemu slnečnému žiareniu alebo v blízkosti kúrenia.
  - na iných stereofónnych zariadeniach, ktoré vyžarujú príliš tepla
  - na miestach, kde by bolo obmedzené chladenie prístroja pomocou jeho ventilátoru alebo v prašnom prostredí
  - na miestach, ktoré konštantne vibrujú.
  - vo vlhkých a mokrych priestoroch.
  - v blízkosti zapálených sviečok alebo iných zdrojoch otvoreného ohňa.
- Výrobok používajte iba podľa pokynov v tejto príručke. Cez USB prepojujte priamo, alebo použite USB - predlžovací kábel, ktorý nie je dlhší ako 25 cm.

Z bezpečnostných dôvodov neodstraňujte žiadne kryty ani sa nepokúšajte získať prístup k vnútrajšku výrobku. Nepokúšajte sa odstrániť skrutky alebo otvárať kryt jednotky. Servis

produktu a všetky opravy vždy zverte autorizovanému servisu a jeho kvalifikovanému personálu.

## BEZPEČNOSTNÉ POK

1. Prečítajte si pozorne – pred uvedením prístroja do prevádzky si prečítajte všetky bezpečnostné a prevádzkové pokyny a návod k použitiu.
2. Schovajte si návod k obsluhu - tento návod k obsluhu uschovajte pre budúce použitie.
3. Dbajte na varovania – všetky varovania na produkte a v návode k použitiu je treba dodržiavať
4. Postupujte podľa pokynov – pokyny pre prevádzku a bezpečnostné pokyny je treba dodržiavať.
5. Inštalácia – inštalujte výrobok v súlade s pokynmi výrobcu.
6. Napájacie zdroje – tento produkt napájajte iba zo zdroja zdroje, ktorý je uvedený na napájacom káble. Ak si nie ste istí, aký typ napájania máte doma, obráťte sa na svojho predajcu výrobkov alebo na miestnu energetickú spoločnosť.
7. Uzemnenie a polarizácia – výrobok nemusí byť uzemnený. Uistite sa, že zástrčka napájacieho káblu je presne zasunutá do elektrickej zásuvky alebo do predlžovacieho káblu tak, aby bolo zamedzené vzniku prechodného odporu a tým pádom možného rizika vzniku požiaru. Ak používate predlžovací napájací kábel alebo neoriginálny napájací kábel od iného výrobcu, než ktorý je dodávaný ako súčasť balenia s výrobkom, musí byť tento neoriginálny kábel vybavený príslušnými kontaktmi pre prepojenie s výrobkom a musí mať bezpečnostné schválenie pre použitie v danej zemi.
8. Ochrana napájacieho káblu – napájacie káble by mali byť vedené tak, aby neboli pretrhnuté, otočené okolo predmetov okolo nich alebo proti nim, po napájacom káble nie je doporučené chodiť. Pred týmito nežiaducimi vplyvmi chráňte hlavne konektory káblov k zapojeniu do zásuvky a pre napojenie s produktom.
9. Preťaženie – nepreťažujte elektrické zásuvky, predlžovacie káble či viacnásobné zásuvky, následkom takéhoto preťažovania je zvýšené riziko požiaru či úrazu elektrickým prúdom.
10. Vetranie – výrobok musí byť umiestnený na vetrané miesto. Nepokladajte výrobok na posteľ, pohovku alebo iný podobný povrch. Nezakrývajte výrobok vecami, ako obrusmi, novinami apod.
11. Teplo – tento produkt by nemal byť umiestnený v blízkosti zdrojov tepla, ako sú radiátory, regulátory tepla, pece, zosilňovače a iné zariadenia, ktoré produkujú teplo. Na prístroji nesmie byť umiestnený žiadny zdroj otvoreného ohňa, napr. zapálenej sviečky.
12. Voda a vlhkosť – pre zníženie rizika požiaru alebo úrazu elektrickým prúdom, nevystavujte výrobok kvapkajúcej, striekajúcej alebo tečúcej vode a nadmernej vlhkosti, napr. v saune či kúpeľni. Nepoužívajte tento výrobok v blízkosti vody napríklad pri vani, umývadle, dreze, vo vlhkej pivnici, v blízkosti bazénu apod.
13. Vniknutie predmetov a tekutín – nikdy nevkładajte akékoľvek cudzie predmety do otvorov výrobku, mohli by sa dotknúť miest pod vysokým napätím alebo by mohli spôsobiť skrat, čo môže viesť k požiaru alebo úrazu elektrickým prúdom. Nikdy nelejte akúkoľvek tekutinu akéhokoľvek druhu na výrobok alebo do výrobku.

Neumiestňujte akýkoľvek predmet obsahujúci tekutinu na povrch výrobku (napr. váza, pohár s vodou apod.).

14. Čistenie – pred čistením odpojte výrobok z elektrickej zásuvky. Prach z prístroja odstraňujte suchou handričkou. Ak chcete používať aerosolové čistiace spreje, nestriekajte priamo na výrobok; naneste čistiaci prostriedok na handričku a následne aplikujte. Dávajte pozor, aby nedošlo k poškodeniu hracej jednotky.
15. Príslušenstvo – nepoužívajte neoriginálne príslušenstvo, ktoré nie je doporučené výrobcom produktu, neoriginálne príslušenstvo môže ohroziť bezpečné používanie a funkciu výrobku.
16. Umiestnenie – neumiestňujte výrobok na nestabilný vozík, stojan, trojnožku konzolu alebo stolík. Výrobok môže spadnúť s spôsobiť vážne zranenia deťom či dospelým a môže doísť k vážnemu poškodeniu výrobku. Používajte iba so stabilným vozíkom, stojanom, trojnožkou, držiakom či na stole, alebo zariadením doporučeným výrobcom alebo predávaným spolu s výrobkom. Ak je nutná akákoľvek montáž výrobku, riadte sa pokynmi výrobcu a používajte iba montážne príslušenstvo doporučené výrobcom.
17. Manipulácia s výrobkom – pri premiestňovaní produktu na vozíku je nutné dodržiavať opatrnosť. Prudká zmena smeru, prudké zastavenie, vysoká rýchlosť alebo nerovný povrch môžu spôsobiť prevrátenie vozíku a tým aj prípadné poškodenie produktu.
18. Obdobie nepoužívania – ak nie je zariadenie dlhší čas používané, musí byť napájací kábel prístroja odpojený z elektrickej zásuvky. Odpojte napájací kábel z elektrickej zásuvky počas búrky.
19. Servis – nepokúšajte sa o servis alebo opravu tohto prístroja svojvoľne, otvorenie alebo odstránenie krytov prístroja vás môže vystaviť nebezpečenstvu úrazu elektrickým prúdom alebo inému nebezpečenstvu. Všetky opravy prístroja zverte kvalifikovanému servisnému personálu autorizovaného servisu.
20. Prosím, ak nie je v prevádzke, odpojte napájací kábel z hlavného zdroja energie, alebo z elektrickej zásuvky. Vo chvíli, keď je napájací kábel zapojený do zdroja elektrickej energie, je systém v pohotovostnom režime, to znamená, že prístroj nie je úplne vypnutý a prúdi do neho elektrická energia.
21. Náhradné diely – ak sú potreba náhradné diely, uistite sa, že servisný technik použil náhradné diely, ktoré sú špecifikované výrobcom alebo majú rovnaké vlastnosti ako originálne diely. Neoprávnená výmena môže viesť k požiaru, úrazu elektrickým prúdom alebo spôsobiť iné nebezpečenstvo.
22. Sieťové poistky – pre trvalú ochranu proti požiaru, používajte iba správny typ poistiek. Správna špecifikácia poistiek je pre každý rozsah napätia označená na výrobku.
23. Nezvyšujte príliš hlasitosť pri počúvaní pasáži s veľmi nízkou úrovňou hlasitosti alebo pri náhlej úplnej absencii zvuku. Ak tak učinite, môže vo chvíli opätovného zvýšenia úrovne hlasitosti prehrávanej pasáže doísť k poškodeniu reproduktorov.
24. Ak chcete prístroj úplne odpojiť od napájania, musíte odpojiť napájací kábel od prístroja alebo z elektrickej zásuvky. Elektrická zásuvka alebo vstup pre napájací kábel k výrobku musia zostať voľne prístupné po celý čas používania prístroja v prevádzke.
25. Je vhodné umiestniť produkt do blízkosti elektrickej zásuvky alebo predlžovačky, ktoré by mali byť ľahko prístupné.





- 26.** Najvyššia teplota prostredia vhodná pre tento výrobok je 35 °C.
- 27.** ESD tip – Ak dôjde k vyresetovaniu prístroja alebo nie je obnovená jeho prevádzka z dôvodu elektrostatického výboja, je potreba výrobok vypnúť, odpojiť napájací kábel a potom ho znovu pripojiť, prípadne presunúť na iné miesto.
- 28.** Batérie
1. Batérie nesmú byť vystavené nadmernému teplu, ako napríklad pôsobeniu priameho slnečného svetla, ohňa a podobne.
  2. Používané batérie by mali byť vhodné pre ekologickú likvidáciu batérií.
  3. **UPOZORNENIE** pre používanie batérií – proti zamedzeniu úniku elektrolytu z batérie, ktorý môže spôsobiť poranenie, poškodenie majetku alebo prístroja:
    - Všetky batérie nainštalujte správne, + a – ako je vyznačené na prístroji.
    - Nekombinujte batérie (staré a nové alebo uhlíkové a alkalické apod.)
    - Pokiaľ nebudete prístroj dlhší čas používať, vyťahnite ich z prístroja.

## VAROVANIE

Tento spotrebič nie je určený pre používanie osobami (vrátane detí) so zníženými fyzickými, zmyslovými alebo duševnými schopnosťami, alebo osobami bez patričných skúseností a vedomostí, pokiaľ im nebol poskytnutý dohľad alebo inštrukcie týkajúce sa použitia spotrebiča osobou zodpovednou za ich bezpečnosť. Deti by mali byť pod dozorom, aby bolo zaistené, že si so spotrebičom nebudú hrať.

1. Nikdy nenechávajte prístroj bez dozoru! Vypnite prístroj vždy, keď ho nepoužívate aj keď iba na krátku chvíľu.
2. Spotrebič nie je určený na prevádzku prostredníctvom externého časovača alebo samostatného diaľkového ovládania.
3. Ak je napájací kábel poškodený, musí byť nahradený výrobcom, jeho servisným zástupcom (autorizovaným servisom) alebo podobne kvalifikovanými pracovníkmi, aby sa predišlo nebezpečenstvu.
4. Pred použitím tohto systému skontrolujte napätie, aby ste sa uistili že je totožné s napätím vašej miestnej elektrickej siete.
5. Prístroj nesmie mať zakryté vetracie otvory predmetmi, ako sú noviny, obrusy, záclony atd. Uistite sa, že nad prístrojom je najmenej 20cm voľného priestoru a okolo neho z každej strany najmenej 5cm voľného priestoru.
6. Prístroj nesmie byť vystavený tečúcej, kvapkajúcej či striekajúcej vode. Predmety naplnené kvapalinou, ako sú napr. vázy, nesmú byť umiestnené na prístroji.
7. Aby nedošlo k požiaru alebo úrazu elektrickým prúdom, neumiestňujte toto zariadenie na horúcich miestach, nevystavujte ho dažďu, vlhkosti alebo prachu.
8. Neumiestňujte tento prístroj v blízkosti akýchkoľvek zdrojov vody, napr. kohútiky, vane, pračky alebo bazény. Uistite sa, že je prístroj umiestnený na suchom, stabilnom povrchu.
9. Neumiestňujte tento prístroj v blízkosti silného magnetického pola.
10. Nepokladajte prístroj na zosilňovače alebo prijímače.
11. Neumiestňujte tento prístroj do vlhkého prostredia, vlhkosť bude mať vplyv na životnosť elektrických komponentov.
12. Ak systém bezprostredne premiestnite z chladného do teplého prostredia, alebo ak je umiestnený vo veľmi vlhkom prostredí, môže dojsť ku kondenzácii vlhkosti vo

vnútri prehrávača. Ak k tomu dôjde, systém môže byť poškodený a nebude fungovať správne. Prosím, nechajte systém zapnutý približne na hodinu, dokiaľ sa vlhkosť nevyparí.

13. Nečistite jednotku chemickými rozpúšťadlami, tie môžu poškodiť povrch zariadenia. Prístroj otrite čistou, suchou alebo mierne navlhčenou handričkou.
14. Pri odpojení napájacieho káblu zo zásuvky, ťahajte priamo za zástrčku, nikdy nie za kábel.
15. Ak je prístroj zapnutý v blízkosti vášho televízoru, môže vplyvom pôsobenia elektromagnetických vln doísť k ovplyvneniu funkčnosti oboch zariadení. Na televíznej obrazovke sa môžu objaviť čiary, rozpadáť sa obraz, môže byť ovplyvnený zvuk televízoru aj prístroja, prípadne môže byť ak televízor, tak prístroj úplne nefunkčný. Tomu zamedzíte umiestnením prístroja v dostatočnej vzdialenosti od televízora.
16. Sieťová zástrčka je používaná ako odpojovacie zariadenie, ktoré musí byť vždy pripravené k použitiu.
17. Ak chcete zachovať čítačku diskov s laserovým lúčom v čistote, nedotýkajte sa jej a vždy zatvárajte zásuvku disku.
18. Behom prehrávania sa disk otáča vysokou rýchlosťou. NEZDVÍHAJTE a nepresúvajte jednotku behom prehrávania, mohlo by dojsť k poškodeniu disku alebo jednotky.
19. Ak budete zariadenie premiestňovať alebo s ním manipulovať, vytiahnite disk z prehrávača a vráťte zásuvku disku do uzavretej polohy. Potom stlačte spínač pre vypnutie napájania a odpojte napájací kábel. Sťahovanie prístroja s vloženým diskom, môže spôsobiť poškodenie tohto prístroja alebo disk.
20. Ak chcete disk prehrať, vložte ho späť do zásuvky pre disk. Nevystavujte disky priamemu slnečnému svetlu ani zdrojom tepla. Nikdy nenechávajte disky v automobile zaparkovanom na priamom slnku.
21. Nedotýkajte sa spodnej plochy diskov so zapísanými dátami (skladbami). Držte disk za okraje tak, aby sa zabránilo odtlačkom prstov na povrchu disku. Akýkoľvek prach, otlacky prstov alebo škrabance môžu spôsobiť poškodenie disku.  Nikdy na disk nelepte nálepky alebo lepiacu pásku.
22. Pre čistenie disku použite čistú mäkkú handričku bez vlasov, ktorá nie je zaprášená. Nepoužívajte k čisteniu disku riedidlá, komerčne dostupné čistiace prostriedky alebo antistatické spreje na vinylové dosky. Disk čistite od stredu smerom von ku kraju v priamej linke. 
23. Ak chcete zabrániť možnému poškodeniu sluchu, nepočúvajte dlhší čas hudbu a rádio príliš nahlas.



## VAROVANIE: NEBEZPEČIE ŽIARENIA

CLASS 1 LASER PRODUCT  
LUOKAN 1 LASERLAITE  
KLASS 1 LASERAPPARAT

Toto označenie znamená, že súčasťou tohto prístroja je laser. Otvorením veka zásuvky na CD a prelomením bezpečnostných zámkov bude užívateľ vystavený pôsobeniu žiarenia laserového lúču. Neďívajte sa do laserového lúču, pokiaľ je v prevádzke.

## PRED UVEDENÍM DO PREVÁDZKY

**Poznámka: V prípade kompaktných diskov.**

Špinavé, poškodené alebo deformované disky môžu poškodiť prístroj, preto je treba sa držať nasledujúcich pokynov:

- a. Kompaktné disky, ktoré je možné použiť. Používajte iba kompaktné disky s označením uvedeným nižšie.



- b. Používajte CD kompaktné disky iba s digitálnymi zvukovými signálmi.

## POZNÁMKA



Prehlásenie o zhode

Blaupunkt Competence Center 2N-Everpol Sp. z o.o. týmto prehlasuje, že je toto zariadenie v súlade so základnými požiadavkami a ďalšími príslušnými ustanoveniami smernice 2014/53 / EU. Prehlásenie o zhode je možné získať zo stránky produktu na [www.blaupunkt.com](http://www.blaupunkt.com).

Zodpovedná strana: 2N-Everpol Sp. z o.o, Puławska 403A, 02-801 Varšava, Poľsko,  
Tel: +48 22 331 99 59, E-mail: [info@everpol.pl](mailto:info@everpol.pl)



Naše produkty sú navrhnuté a vyrobené z vysoko kvalitných materiálov a komponentov, ktoré sú recyklovateľné a opäť použiteľné.



Ak je tento symbol preškrtnutého kontajneru uvedený na výrobku, znamená to, že výrobok podlieha smernici 2012/19/EU. Informujte sa prosím na miestny systém zberu triedeného odpadu pre elektrické a elektronické výrobky. Prosím riadte sa miestnymi pravidlami a nelikvidujte staré produkty spolu s bežným komunálnym odpadom. Správnu likvidáciu starého výrobku pomôžete predísť možným negatívnym dopadom na životné prostredie a ľudské zdravie.



Výrobok obsahuje batérie podliehajúce smernici 2006/66/EC, ktoré nie je možné vyhadzovať do bežného domáceho odpadu. Informujte sa prosím o miestnych pravidlách zberu batérií, pretože správnu likvidáciu pomôžete predchádzať negatívnym dôsledkom pre životné prostredie a ľudské zdravie.

### **Informácie týkajúce sa životného prostredia**

Výrobok je zabalený len v nutnom obale pre jeho ochranu. Snahou našej firmy je, aby bol obalový materiál jednoducho rozdeliteľný na tri materiály: lepenku (škatuľa), polystyrén (ochranné balenie) a polyetylen (sáčky, ochranné fólie z odľahčeného plastu). Výrobok sa skladá z materiálov, ktoré je možné recyklovať a znovu použiť v prípade demontáže odbornou firmou. Dodržujte prosím miestne predpisy týkajúce sa likvidácie obalových materiálov, vybitých batérií a starého zariadenia.

Na nahrávanie a prehrávanie materiálov môže byť vyžadovaný súhlas. Viz. Zákon o Copyright Act 1956 a Zákon na ochranu umelcov Sk 1958-1972.

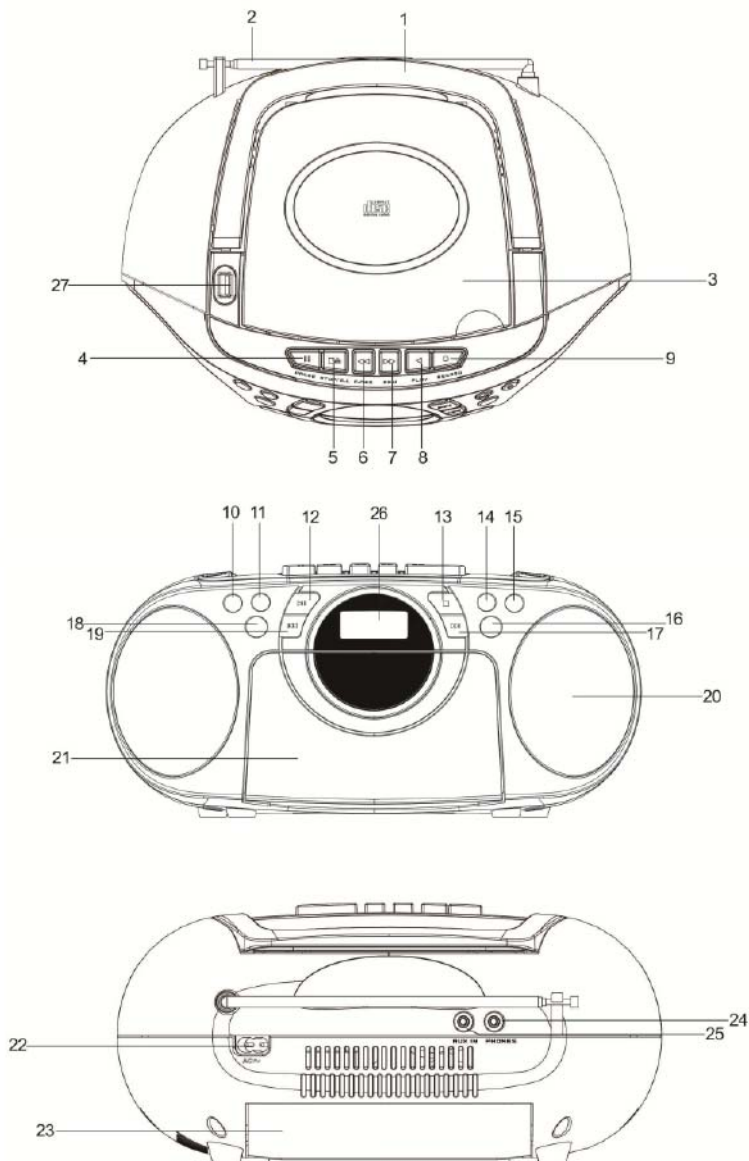
### **ERP2 - (Energy Related Products) poznámka**

Tento výrobok je v zhode s EcoDesign a požiadavky 2. stupňa (EC) 1275/2008 vykonávajúci Nariadenie EÚ 2009/125 / EC ohľadom spotreby elektrickej energie elektronických zariadení pre domácnosti a kancelárie v pohotovostnom režime a vypnutom stave. Prístroj sa automaticky prepne do pohotovostného režimu, ak po dobu 60 minút neprichádza do audio vstupu žiadny signál.

### **Dôležité upozornenia:**

Tento prístroj je vybavený režimom pre úsporu energie: prehrávač sa automaticky prepne do pohotovostného režimu, ak po dobu 60 minút neprichádza do audio vstupu žiadny signál podľa ERP2 štandardu). Vezmite prosím na vedomie, že nízka hlasitosť prichádzajúceho signálu môže byť interpretovaná zariadením, ako situácia kedy neprichádza žiadny audio signál a môže dôjsť k prepnutiu do pohotovostného režimu. Ak táto situácia nastane, pripojte znovu zdroj zvukového signálu, alebo zvýšte hlasitosť zdrojového signálu (mp3 prehrávače, atp.).

## UMIESTNENIE OVLÁDACÍCH PRVKOV





**Elementi za uporabo**

1. Držalo;
2. Antena FM;
3. Pokrov CD;
4. Tipka Pavza;
5. Tipka Stop / Izvrzi;
6. Tipka za pomikanje naprej;
7. Tipka za pomikanje nazaj;
8. Tipka za predvajanje;
9. Tipka za zapisovanje;
10. Tipka 10 / Fold / M.-;
11. Tipka 10 / Fold / M.+;
12. Tipka za predvajanje/ustavitev;
13. Tipka Stop;
14. Tipka za zmanjšanje glasnosti;
15. Tipka za povečanje glasnosti;
16. Tipka načina / funkcije stanja pripravljenosti;
17. Tipka Naslednji / Tune +;
18. Tipka načina programiranja / spomina / načina predvajanja;
19. Tipka Prejšnji / Tune -;
20. Zvočnik;
21. Prostor za kasete;
22. Vtičnica AC;
23. Prostor za baterije;
24. Vtičnica za slušalke;
25. Vtičnica AUX;
26. LCD prikazovalnik;
27. Vtičnica za USB;

**VIR NAPAJANJA**

Naprava se lahko napaja iz električnega omrežja ali z baterijo.

**Napajanje preko električnega omrežja**

Vklopite en konec napajalnega kabla v vtičnico na napravi, drugega pa v zidno vtičnico. Baterije se samodejno odklopijo.

**Napajanje z baterijo**

Odprite pokrov prostora za baterije. Namestite 6 baterij UM-1/D (niso priložene kompletu). Uporabite ustrezno polarizacijo.

**POZOR**

Če naprave več časa ne uporabljate, odstranite baterije. Baterije vsebujejo kemijske snovi, zato jih je treba ustrezno odstraniti.

**OSNOVNE FUNKCIJE****Vklop naprave**

Po priklopu napajanja pritisnite tipko načina / funkcije stanja pripravljenosti, da bi vklopili napravo, nato pritisnite tipko načina / funkcije stanja pripravljenosti, da izberete način CD / USB / AUX / TAPE oz. RADIO. Dolgotrajni pritisk na tipko načina / funkcije stanja pripravljenosti izklopi napravo.

**POZOR:** V načinu CD / USB / AUX / TAPE, po 60 minutah mirovanja naprava samodejno preide v stanje pripravljenosti. V načinu predvajanja kaset, naprava samodejno preklopi v stanje pripravljenosti, ko kaset miruje več kot 60 minut. Za ponovni vklop naprave, pritisnite tipko načina / funkcije stanja pripravljenosti oz. ponovno priklopite napravo.

**Nasveti glede električne razelektivitve** - če delovanje naprave motijo električne razelektivitve, je treba napravo izklopiti in ponovno vklopiti.

### **Nastavitev glasnosti**

Pritisnite tipko VOL. + / -, da bi povečali ali zmanjšali glasnost.

### **Vtičnica za slušalke**

Za diskretno poslušanje priključite slušalke z vtičem 3,5 mm (niso priložene) v vtičnico za slušalke. Po priklopu slušalk se zvočniki samodejno izklopijo.

Pozor: Dolgotrajno poslušanje glasne glasbe preko slušalk lahko poslabša sluh.

### **Uporaba radia FM**

Pred začetkom poslušanja radia je treba popolnoma raztegniti FM anteno in postaviti napravo v bližino okna, da lahko sprejeme boljši signal; pritisnite tipko načina / funkcije stanja pripravljenosti za prehod na način radia FM.

**1. Iskanje in pregledovanja FM postaj:** kratko pritisnite tipko Tune +/- da bi povečali ali zmanjšali frekvenco FM za 0,05 MHz. Pritisnite in za 2 sekundi pridržite tipko Tune +/-, da bi samodejno pregledovali in predvajali razpoložljive postaje gor in dol po radijskem spektru; pritisnite in pridržite tipko, da bi pregledali naslednjo postajo.

**2. Ročno shranjevanje radijskih postaj:** Po izbiri priljubljene radijske postaje s pomočjo tipke Tune +/- pritisnite tipko za programiranje / spomin / način predvajanja, da bi začeli programiranje; pritiskajte tipko 10 / fold / M. - oz. 10 / fold / M.+, da bi izbrali številko, pod katero si želite programirati postajo (maksimalno število programiranih postaj je 40), ponovno pritisnite tipko za programiranje / spomin / način predvajanja, za potrditev izbire; postaja bo shranjena pod izbrano številko

**3. Samodejno programiranje radijskih postaj (samodejno pregledovanje in programiranje do 40 postaj):** Kratko pritisnite tipko za predvajanje / pavzo za vklop načina samodejnega pregledovanja in shranjevanja razpoložljivih radijskih postaj; kratko pritisnite tipko 10 / fold / M. - oz. 10 / fold / M.+, da bi izbrali programirano postajo.

### **UPORABA MAGNETOFONA**

Predvajanje glasbe iz kasete

Preden namestite kaseto v napravo, napnite trak. V luknjo kasete vtaknite svinčnik ali pero in ga obračajte, da s tem napnete trak. Da bi odprli prostor za kasete, pritisnite tipko za **ustavitev/odpiranje**.

Namestite kaseto (del, v katerem se vidi trak, je usmerjen navzgor, poln navoj na levi strani), pritisnite in zaprite prostor za kasete. Traka se ne dotikajte. Nastavite stikalo traka v položaj TAPE in pritisnite tipko za predvajanje kasete. Da bi ustavili predvajanje, pritisnite tipko za ustavitev / odpiranje prostora za kasete. Da bi odstranili kaseto, ponovno pritisnite tipko za ustavitev / odpiranje prostora za kasete.

### **AUTO STOP**

Ko se trak med predvajanjem oz. zapisovanjem odvijne, vgrajen sistem samodejnega ustavljanja izklopi predvajanje oz. zapisovanje. Sistem samodejnega ustavljanja omogoča ustavitev načina zapisovanja med zapisovanjem iz vgrajenega radia oz. CD predvajalnika, ko se trak odvijne in ko radio oz. CD predvajalnik še vedno deluje.

### **Zapisovanje iz radia**

1. Namestite prazen trak v prostor za kasete in zaprite vratca.

2. Pritisnite tipko za stanje pripravljenosti / funkcijo za izbiro FM načina.

3. Izberite zeleno postajo s pritiskom na tipko naslednji / TUN. + oz. prejšnji / TUN. -

4. Da bi začeli zapisovanje, pritisnite tipko za zapisovanje. Tipki za zapisovanje in predvajanje se pritisneta hkrati.

5. Pritisnite tipko stop / izvrzi, da bi končali zapisovanje.

6. Za predvajanje zapisanega, ukrepajte skladno z navodili za predvajanje kaset.

**Pozor:** Začasna ustavitev zapisovanja - uporabite tipko pavza na predvajalniku namesto tipke stop / iztakni, da začasno ustavite zapisovanje. Ponovno pritisnite tipko pavza, da ponovno nadaljujete z zapisovanjem.

### Zapisovanje iz CD / USB / AUX

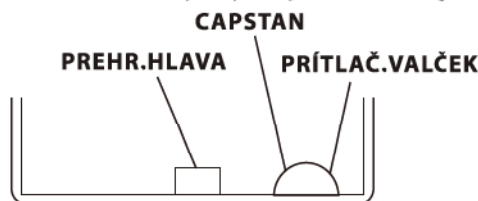
1. Namestite prazen trak v prostor za kasete in zaprite vratca.
2. Pritisnite tipko za stanje pripravljenosti / funkcijo za izbiro CD, USB oz. AUX načina.
3. Namestite CD, USB napravo oz. priklopite zunanjo avdio napravo v AUX vtičnico, nato izberite posnetek, ki ga želite zapisati.
4. Za začetek predvajanja, pritisnite tipko predvajanje / pavza. Za začetek zapisovanja, pritisnite tipko za zapisovanje. Tipki za zapisovanje in predvajanje se pritisneta hkrati.
5. Pritisnite tipko pavza, da prekinete oz. uredite zapisovanje. Ponovno pritisnite tipko, da ponovno nadaljujete z zapisovanjem.
6. Pritisnite tipko stop / izvzri, da bi zaključili z zapisovanjem.
7. Za predvajanje zapisanega, ukrepajte skladno z navodili za predvajanje kaset.

### Vrste kaset

Za zapisovanje uporabite le visoko kakovostne kasete (IEC TYPE 1). V napravi ni priporočeno uporabljati kaset C120.

### Skrb za mehanizem magnetofona

Vsakih 10 ur delovanja naprave je treba očistiti glavo in pritiskalni valj.



Glava magnetofona in površina valja sta občutljivi, zato se jih ne sme dotikati s kovinskimi predmeti, npr. z izvijačem. Komponente magnetofona najlažje očistite, da pritisnete tipko za predvajanje in s tem iztaknete glavico in valj. Po končanem čiščenju mehanizma pritisnite tipko za ustavitev. Če izklopite napajanje in pustite pritisnjeno tipko za predvajanje, lahko s tem poškodujete pritiskalni valj. Nikakor ne smete mazati delov naprave.

### UPORABA CD/MP3

Zgoščenke, ki se lahko predvajajo

Naprava omogoča predvajanje vseh zgoščenk CD, digitalnih zgoščenk MP3; WMA, CD-R, digitalnih avdio zgoščenk CD-R in zgoščenk CD/CDR/CD-RW v obliki CD-DA.

### Namestitev zgoščenk

1. Pritisnite tipko za stanje pripravljenosti / funkcijo za izbiro CD načina.
2. Odprite CD pogon. Na zaslonu se prikaže sporočilo »OPEN«.
3. Namestite CD zgoščenko (etiketa na zgornji strani).
4. Zaprite CD pogon. Celotno število posnetkov je prikazano na zaslonu šele po odčitavanju.
5. Za odstranitev zgoščenke pritisnite tipko stop in odprite pokrov, primate zgoščenko za robove in jo odstranite.

### Pozor:

1. Da bi zagotovili pravilno delovanje naprave, počakajte, dokler predvajalnik ne zaključi z branjem zgoščenke.
2. Ko v predvajalniku ni zgoščenke oz. je zgoščenska neprimerno nameščena (etiketa na spodnji strani), prikaže se sporočilo »NO CD«.

### **Predvajanje zgoščenke**

Po namestitvi zgoščenke se predvajanje samodejno začne s posnetkom št. 1.

Za ustavitev predvajanja pritisnite tipko predvajanje / pavza. Kazalnik predvajanja bo utripal, na zaslonu se bo prikazala številka trenutnega posnetka.

Za vzpostavitev predvajanja ponovno pritisnite tipko predvajanje/ pavza.

Za ustavitev predvajanja pritisnite tipko Stop, na zaslonu se prikaže celotno številko posnetkov.

### **Izbira zelenega posnetka/mesta**

#### **Za izbiro zelenega posnetka**

Pritiskajte tipke naslednji / TUN. + oz. prejšnji / TUN-. dokler se ne prikaže številka zelenega posnetka.

### **Za iskanje določenega mesta v posnetku med predvajanjem (iskanje po posnetku z veliko hitrostjo)**

Pritisnite in držite tipko naslednji / TUN. + oz. prejšnji / TUN-. za premikanje po posnetku z veliko hitrostjo do določenega mesta, zatem sprostite tipko. Predvajanje se začne od tega mesta dalje.

### **Za izbiro posnetka s številko višjo od 10 (le zgoščenke z MP3)**

Za izbiro posnetka s številko višjo od 10, pritisnite tipko 10 / fold / M.- oz. 10 / fold / M. +, za posamezen preskok 10 posnetkov naprej ali nazaj, zatem pritisnite tipko naslednji / TUN. + oz. prejšnji / TUN-. da izberete zeleni posnetek. Na primer, če želite izbrati posnetek št. 17, pritisnite tipko 10 / fold / M. +, in nato šestkrat pritisnite tipko naslednji / TUN. +.

### **Za izbiro zelene mape (le takrat, ko zgoščanka z MP3 vsebuje več kot eno mapo)**

Da bi preskočili zaželeno mapo med predvajanjem, pritisnite in držite tipko 10 / fold / M.- oz. 10 / fold / M. +, približno 2 sekundi, za prehod na naslednjo/prejšnjo mapo.

### **Programiranje trakov**

Programiranje trakov je mogoče le v načinu ustavitve. V spominu predvajalnika lahko v katerem koli vrstnem redu programirate do 20 posnetkov CD/99 trakov MP3.

1. V načinu ustavitve pritisnite tipko za programiranje / spomin / način predvajanja; simbol »PROG« utripa in vklopi se kazalnik »P01«.

2. Pritisnite tipko naslednji / TUN. + oz. prejšnji / TUN-. da izberete prvi posnetek za programiranje.

3. Pritisnite tipko za programiranje / spomin / način predvajanje za potrditev. Sporočilo na zaslonu se spremeni v »P02«.

4. Ponovite korake iz točk 1 in 3, da shranite ostale posnetke.

5. Pritisnite tipko za predvajanje / pavzo, da bi začeli s predvajanjem prvega programiranega posnetka.

6. Pritisnite tipko stop, da bi ustavili programirano predvajanje.

### **Za izbris spomina (program predvajanja)**

Program lahko izbrišete na dva načina:

1. Pritisnite tipko stop, ko je predvajanje ustavljeno, oz.

2. Odprite prostor za zgoščenko - program se izbriše.

### **Funkcija ponavljanja (REPEAT)**

Za ponovitev enega posnetka

1. Enkrat pritisnite tipko za programiranje / spomin / način predvajanja v načinu predvajanja; na zaslonu se prikaže utripajoči simbol „“. Tekoči posnetek bo predvajan večkrat, dokler ne pritisnete tipke stop.

2. Za preklic funkcije ponavljanja pritisnite tipko za programiranje / spomin / način predvajanja dokler simbol „“ ne izgine iz LCD zaslona.

### Za ponovitev predvajanja vseh posnetkov

1. V načinu predvajanja pritisnite tipko za programiranje / spomin / način predvajanja, dokler se na zaslonu ne prikaže simbol „ ”; vsi posnetki na zgoščenci bodo predvajani, dokler ne pritisnete tipke stop.

2. Za preklic funkcije ponavljanja pritisnite tipko za programiranje / spomin / način predvajanja dokler simbol „ ” ne izgine iz LCD zaslona.

### Za ponovitev trenutne mape (le MP3)

1. V načinu predvajanja pritisnite tipko za programiranje / spomin / način predvajanja, dokler se na zaslonu ne prikaže simbol „FOLDER ”; trenutna mapa bo predvajana, dokler ne pritisnete tipke stop.

2. Za preklic funkcije ponavljanja pritisnite tipko za programiranje / spomin / način predvajanja dokler simbol „FOLDER ” ne izgine iz LCD zaslona.

### Naključno predvajanje

V načinu predvajanja pritisnite tipko za programiranje / spomin / način predvajanja, dokler se na zaslonu ne prikaže simbol »RDM«; naključno predvajanje se začne samodejno od naslednjega posnetka in traja do konca seznama posnetkov, nato pa se ustavi.

Enkrat pritisnite tipko programiranja / spomina / načina predvajanja, za preklic.

### Začetno predvajanje (Intro)

V načinu predvajanja pritisnite tipko za programiranje / spomin / način predvajanja, dokler se na zaslonu ne pojavi simbol »INTRO«, predvajanje in pregledovanje 10-sekundnih posnetkov se začne samodejno. Za preklic začetnega predvajanja pritisnite tipko za programiranje / spomin / način predvajanja, dokler iz zaslona ne izgine simbol »INTRO«.

### Uporaba USB

1. Pritisnite tipko za stanje pripravljenosti / funkcijo za izbiro USB načina.
2. Priklopite USB spomin v USB vtičnico. Na LCD zaslonu se prikaže celotno število posnetkov in map, ki so shranjeni v USB spominu. Po branju USB spomina, se predvajanje začne samodejno.
3. Za ustavitev predvajanja pritisnite tipko stop. Na zaslonu se prikaže celotno število posnetkov na USB.
4. Funkcije predvajanja s ponavljanjem (ponavljanje 1 posnetka, mape in vseh posnetkov) so opisane v glavi »UPORABA CD/MP3«.

### Pozor:

1. Za priklop spomina USB ne uporabljajte podaljška, saj ta lahko povzroča motnje.
2. Vtičnica USB je na voljo le za predvajanje glasbe. Ne podpira funkcije polnjenja drugih zunanjih naprav.
3. Maksimalni volumen podpiranega spomina je do 32 GB. USB je namenjen le predvajanju glasbe. Podprtih je večina MP3 datotek, obstaja možnost, da se druge glasbene oblike ne predvajajo.
4. Obstaja možnost, da naprava ne podpira predvajanja iz pametnega telefona preko USB kabla in šifriranih USB naprav.

### Uporaba priključka AUX

V napravi je na voljo vtičnica AUX 3,5 mm za priklop MP3 predvajalnika ter drugih virov zvoka za ojačanje avdio signala.

1. Pritisnite tipko za stanje pripravljenosti / funkcijo za izbiro AUX načina.
2. Priklopite en konec avdio kabla (ni priložen) v vtičnico AUX IN, drugega pa povežite z vtičnico AUDIO OUT zunanjega vira zvoka. Naprava se samodejno preklopi na način AUX.
3. nastavite zeleno glasnost naprave.
4. Pritisnite tipko za predvajanje na zunanjem viru avdio signala (npr. MP3 predvajalniku), da začnete s predvajanjem



**Specifikacija**

Napajanje: AC100-240V ~ 60 / 50Hz

DC 9V UM-1 x 6szt. (baterije niso sestavni del kompleta)

Teža približno 1,46 kg

Dimenzije približno 285 mm (W) x 213 mm (D) x 140 mm (H)

Delovna temperatura + 5 o C - +45 o C

Val FM 87,5-108 MHz

Maksimalna podprta kapaciteta USB spomina - 32 GB

Laser 3 - snopi

Valovna dolžina prenosov 100 Hz - 16KHz

Sistem zapisovanja 2 kanala (stereofonski)

Bias System DC Bias

Val prenašanja 125 - 6,3 KHz

Wow and flutter 0.35% WRMS (JIS)

Izhodna moč 1,5 W x 2

Poraba moči 13W

Poraba moči v stanju pripravljenosti <0.5W

(ta specifikacija se lahko spreminja brez predhodne najave)

## FONTOS BIZTONSÁGI UTASÍTÁSOK



**CAUTION**



ÁRAMÜTÉSVESZÉLY  
NE NYISSA KI

### Fontos biztonsági utasítások

#### Vigyázat:

Az áramütés elkerülése érdekében ne távolítsa el a burkolatot (vagy a hátsó panelt). A készülékben nem találhatóak szervizelhető alkatrészek. A szervizelést bízza szakképzett szerelőre.

### A grafikus szimbólumok magyarázata:



Az egyenlő szárú háromszögben lévő villám szimbólum a termék belsejében lévő, olyan nem szigetelt, veszélyes feszültségre hívja fel a figyelmet, amely elég nagy ahhoz, hogy áramütést okozzon egy személynek vagy személyeknek.



Az egyenlő szárú háromszögben lévő felkiáltójel a termékhez mellékelt irodalomban található fontos kezelési és karbantartási (szervizelési) utasításokra hívja fel a figyelmet.

A legjobb élmény és teljesítmény eléréséhez, valamint a termék funkcióinak megismeréséhez figyelmesen olvassa el a jelen kézikönyvet a termék üzembe helyezése előtt. Így készüléke évekig a legjobb teljesítményt és zenei élményt nyújtja.

### Fontos megjegyzések

- Órizzze meg a jelen biztonsági és használati utasításokat későbbi felhasználás céljából.
- Ne tegye ki a készüléket párának vagy fröccsenésnek és nedves környezetnek (pl. fürdőszoba).
- Ne helyezze a készüléket a következő helyekre:
- Közvetlen napfénynek kitett vagy fűtőtestekhez közeli helyek.
- Túl sok hőt sugárzó sztereóberendezések teteje.
- Szellőzést akadályozó hely vagy poros terület.
- Folyamatosan rezgő helyek.
- Magas páratartalmú vagy nedves helyek.
- Ne helyezze gyertyákhoz vagy más nyílt lánghoz közel.
- Csak a használati útmutató szerint üzemeltesse a készüléket.
- A készülék első bekapcsolása előtt győződjön meg arról, hogy megfelelően csatlakoztatta a tápadaptert.
- Közvetlenül vagy egy 25 cm-nél nem hosszabb USB-hosszabbítókábel segítségével csatlakoztassa az USB-kulcsot.

Biztonsági okokból ne távolítsa el a burkolatot, és ne kíséreljen meg hozzáférni a készülék belsejéhez. A szervizelést bízza szakképzett szerelőre.

Ne próbálja meg eltávolítani a csavarokat vagy kinyitni a készülék házát; nem található benne szervizelhető alkatrészek. Az összes szervizelést bízza szakképzett szerelőre.

## BIZTONSÁGI UTASÍTÁSOK

- 1. Olvassa el az utasításokat** – A készülék üzembe helyezése előtt olvassa el az összes biztonsági és használati utasítást.
- 2. Őrizze meg az utasításokat** – A biztonsági és használati utasításokat tartsa a készülékkel együtt későbbi felhasználás céljából.
- 3. Figyelmeztetések** – A készüléken, valamint a használati utasításokban lévő összes figyelmeztetést be kell tartani.
- 4. Tartsa be az utasításokat** – Tartsa be az összes használati utasítást.
- 5. Üzembe helyezés** – A gyártó utasításai szerint helyezze üzembe a készüléket.
- 6. Áramforrások** – A terméket csak olyan típusú áramforrásról szabad üzemeltetni, amely fel van tüntetve a tápkábel bemeneténél. Ha háztartásában nem található ilyen típusú áramforrás, forduljon a termékkereskedőhöz vagy a helyi energiaszolgáltatóhoz.
- 7. Földelés és polarizáció** – A terméket nem szükséges földelni. A csatlakozó teljesen bele legyen dugva a hosszabbító kábel aljzatába, hogy a dugasz érintkezői ne látszódjanak ki. A termék egyes változatai polarizált, váltakozó vezetékcsatlakozójú tápkábelrel szereltek (olyan csatlakozó, amelynek egyik pengéje szélesebb, mint a másik). Az ilyen típusú csatlakozók csak egyféleképpen illeszthetők az aljzatba. Ez egy biztonsági funkció. Ha nem tudja teljesen beilleszteni a csatlakozót az aljzatba, próbálja meg megfordítani csatlakozót. Ha a csatlakozót így sem sikerül beilleszteni, forduljon villanyszerelőhöz az elavult aljzat cseréjéért illetően. Ne iktassa ki a polarizált csatlakozó biztonsági funkcióját. Ha tápkábel-hosszabbítót vagy egy nem a készülékhez mellékelt tápkábelt használ, ügyeljen arra, hogy a kábel megfelelő formájú csatlakozóval legyen felszerelve, és megfeleljen az adott országnak biztonsági előírásainak.
- 8. Tápkábel-védelem** – A tápkábeleket úgy kell elvezetni, hogy azokra ne lépjenek rá, ne hurkolódjanak, ne csípjék be őket a rájuk helyezett tárgyak, illetve ne feszüljenek nekik. Fordítson különös figyelmet a kábelvégekre, dugaljakra és a termék csatlakozási pontjaira.
- 9. Túlterhelés** – Ne terhelje túl a fali aljzatokat, a hosszabbító kábeleket és az elosztókat, mivel ezek tüzet vagy áramütést okozhatnak.
- 10. Szellőzés** – A termék szellőzése legyen megfelelő. Ne helyezze a terméket ágyra, kanapéra vagy hasonló felületre. Ne takarja le a terméket olyan tárgyakkal, mint asztalterítő, újságpapír stb.
- 11. Hő** – Ne helyezze a terméket hőforrások (pl. radiátorok, konvektorok, kályhák vagy egyéb berendezések, többek között erősítők) mellé. Ne helyezzen nyílt lángot (pl. meggyújtott gyertya) a készülékre.
- 12. Víz és nedvesség** – A tűzveszély és az áramütés elkerülése érdekében ne tegye ki a készüléket esőnek, fröccsenésnek vagy túlzott nedvességnek (pl. szauna vagy

fürdőszoba). Ne használja a készüléket víz közelében, mint például fürdőkád, mosdókagyló, mosogató, mosókonyha, úszómedence közelében és nyirkos pincében.

13. **Tárgyak és folyadékok** – Ne nyomjon be tárgyakat a készülék nyílásaiba, mivel azok hozzáérhetnek veszélyes feszültségpontokhoz vagy rövidzárlatot okozhatnak, és ez tűzhoz vagy áramütéshez vezethet. Ne öntsön semmiféle folyadékot a készülékre. Ne helyezze olyan tárgy tetejére, amely folyadékot tartalmaz.
14. **Tisztítás** – Tisztítás előtt húzza ki a készüléket a fali aljzathból. A mélyhangsugárgázóban lévő port száraz ruhával törölje ki. Ha aeroszolos tisztítóspray-t használ, ne permetezzen közvetlenül a bútorra, hanem a ruhára permetezzen. Ügyeljen arra, hogy ne sértse meg a meghajtóegységeket.
15. **Tartozékok** – Ne használjon olyan tartozékokat, amelyeket a gyártó nem javasol, mivel ezek veszélyt okozhatnak.
16. **Kiegészítők** – Ne helyezze a terméket instabil kocsira, állványra, háromlábú állványra, tartóra vagy asztalra, mivel a termék leeshet, és ez személyi (gyermek vagy felnőtt) sérülést vagy a termék súlyos károsodását okozhatja. Csak a gyártó által javasolt vagy a termékhez mellékelte kocsit, állványt, háromlábú állványt, tartót vagy asztalt használja. Csak a gyártó utasításai szerint szerelje fel a terméket, és csak a gyártó által javasolt konzolt használja.
17. **A termék mozgatása** – A kocsira állított termék mozgatásakor nagyon óvatosan járjon el. A gyors megállás, túlzott erő kifejtés vagy egyenetlen felület a kocsira állított termék felborulásához vezethet.
18. **Használaton kívüli időszakok** – Húzza ki a készülék tápkábelét viharos időben, illetve ha a készüléket hosszabb ideig nem használja.
19. **Szervizelés** – Ne próbálja meg szervizelni a készüléket, mivel a burkolatok kinyitása és eltávolítása során veszélyes feszültségnek vagy más veszélynek lehet kitéve. Az összes szervizelést bízza szakképzett szerelőre.
20. Ha nem használja a készüléket, húzza ki a tápcsatlakozót a fő áramforrásból vagy fali áramforrásból. A készülék akkor is áram alatt van, ha a készülék áramforráshoz csatlakozik, és a rendszer készenléti üzemmódban van.
21. **Cserealkatrészek** – Ha cserealkatrészekre van szükség, a szerelőnek a gyártó által előírt cserealkatrészeket vagy az eredeti alkatrészsel azonos műszaki tulajdonságokkal rendelkező cserealkatrészeket kell használnia. A nem engedélyezett cserealkatrészek tüzet, áramütést vagy más veszélyt okozhatnak.
22. **Hálózati biztosítékok** – A tűzveszély folyamatos védelme érdekében csak a megfelelő típusú és teljesítményű biztosítékokat használja. Az egyes feszültségtartományoknak megfelelő biztosítékjellemzők fel vannak tüntetve a terméken.
23. Ne növelje a hangerőt, ha nagyon alacsony szintű a bemeneti jel, vagy egyáltalán nincs audiojel. Ellenkező esetben a hangszóró károsodhat, ha hirtelen nagy hangerővel szólal meg a lejátszás.
24. A termék tápellátása csak úgy szüntethető meg teljesen, ha kihúzza a tápkábelt a fali aljzathoz vagy a termékből. A termék használata közben mindig legyen könnyen hozzáférhető a fali aljzat vagy a termék tápkábele.
25. Próbálja a terméket a fali aljzathoz vagy a hosszabbító kábelhez közel, egy könnyen hozzáférhető helyen elhelyezni.
26. A készülék legfeljebb 35 °C környezeti hőmérséklet esetén üzemeltethető.

- 27. ESD tippek** – Ha a készülék elektrosztatikus kisülés miatt alaphelyzetbe áll vagy nem reagál, kapcsolja ki majd vissza, vagy tegye át egy másik helyre.
- 28. Akkumulátor**
- Ne tegye ki az akkumulátorokat túlzott hőnek, mint például napsütés, tűz vagy hasonló.
  - Az akkumulátorokat az akkumulátorok ártalmatlanítására vonatkozó környezetvédelmi előírások figyelembe vételével kell ártalmatlanítani.
  - Akkumulátorhasználattal kapcsolatos FIGYELMEZTETÉS – a testi sérülést, anyagi kárt vagy a készülék károsodását okozó akkumulátorszivárgás megakadályozásához:
    - A készüléken lévő + és - jelöléseknek megfelelően, helyesen tegye be az összes akkumulátort.
    - Ne használjon egyszerre különböző elemeket (régieket és újakat, illetve karbon és alkáli stb.).
    - Vegye ki az akkumulátorokat, ha a készüléket hosszabb ideig nem használja.

## FIGYELEM:

A berendezést a csökkent fizikai vagy mentális képességekkel rendelkező személyek (beleértve a gyerekeket is), vagy az olyan személyek, akik nem ismerik a berendezést, csak felügyelet mellett vagy a biztonságukért felelős személy által előírt utasítások szerint használhatják. Gyermek csak felügyelet mellett használhatja a készüléket. A készülék nem játékszer.

- Soha ne használja a készüléket felügyelet nélkül. Mindig kapcsolja ki a készüléket, ha nem használja, még akkor is, ha ez csak egy rövidebb időtartam.
- A készülék nem működtethető külső időzítőről vagy külön távvezérlő-rendszerrel.
- Ha a tápkábel sérült, a veszély elkerülése érdekében cseréltesse ki a gyártóval, a szervizszolgálattal vagy hasonló szakképzett személlyel.
- A készülék üzembe helyezése előtt ellenőrizze, hogy a rendszer feszültsége megegyezik-e a helyi hálózati áram feszültségével.
- A terméket ne takarja le (pl. újságpapírral, asztalterítővel, függönnyel stb.) úgy, hogy blokkolja a szellőzőnyílásait. Győződjön meg arról, hogy a készülék felett legalább 20 cm, a készülék oldalánál pedig legalább 5 cm szabad hely van.
- Ne tegye ki a készüléket párának vagy fröccsenésnek, és ne helyezze olyan tárgyakra, amelyek folyadékkal vannak töltve (pl. váza).
- A tűz vagy áramütés megakadályozása érdekében ne tegye a készüléket forró helyre, és ne érje eső, nedvesség vagy por.
- Ne tegye a készüléket vízforrás közelébe (pl. csapok, fürdőkádak, mosógépek vagy úszómedencék). A készülék száraz, stabil felületen legyen.
- Ne tegye a készüléket erős mágneses mező közelébe.
- Ne tegye a készüléket erősítőre vagy vevőkészülékre.
- Ne tegye a készüléket nyirkos helyre, mivel a nedvesség kedvezőtlen hatással van az elektromos alkatrészek élettartamára.
- Ha a készüléket közvetlenül hidegről melegre viszi át, vagy nagyon nyirkos helyre teszi, a lencse belsején nedvesség képződhet. Ebben az esetben a rendszer nem működik megfelelően. Hagyja a rendszert bekapcsolva körülbelül egy óráig, amíg a



nedvesség el nem párolog.

13. Ne próbálja meg vegyi oldószerekkel tisztítani a készüléket, mivel ezek károsíthatják a felületét. Tiszta, száraz vagy enyhén nedves ruhával törölje meg.
14. A tápcsatlakozó kihúzásakor mindig közvetlenül a csatlakozót húzza, soha ne a kábelt.
15. Ha a bekapcsolt készülék közelében található bekapcsolt TV, a televízió-adás által használt elektromágneses hullámoktól függően a képernyőn csíkok jelenhetnek meg. Ez nem a készülék, és nem is a TV hibája. Ha ilyen csíkokat észlel, vigye távol a készüléket a TV-készüléktől.
16. A hálózati csatlakozó megszakítóeszközként szolgál, így a megszakítóeszköznek mindig elérhetőnek kell lennie.
17. A lézerfej tisztán tartása érdekében ne nyúljon hozzá, és mindig zárja be a lemeztálcát.
18. Lejátszás közben a lemez nagy fordulatszámmal forog. NE emelje fel és ne mozgassa a készüléket lejátszás közben, ellenkező esetben a lemez vagy a készülék megsérülhet.
19. A készülék áthelyezésekor vagy költözés miatti becsomagolásakor ügyeljen arra, hogy a lemez legyen kivéve a készülékből, és a lemeztálcá zárt helyzetben legyen. Ezt követően nyomja meg a kapcsolót kikapcsoláshoz, majd húzza ki a tápkábelt. A készülék károsodhat, ha lemezzel a belsejében mozgatja.
20. Lejátszásuk után helyezze vissza a lemezeket a tartójukba. Soha ne tegye ki a lemezeket közvetlen napfénynek vagy hőforrásoknak. Soha ne hagyja a lemezeket napon parkoló autóban.
21. Ne érintse meg a lemezek írott oldalát. A lemezeket a peremüknél fogva tartsa, így nem hagy ujjlenyomatot a felületükön. A por, ujjlenyomatok vagy karcolások miatt előfordulhat, hogy a lemez meghibásodik. Ne ragasszon címkét vagy ragasztószalagot a lemezre.
22. A lemezeket tiszta, foszformentes ruhával, egyenes vonalon, belülről kifelé haladva, hígítóval, kereskedelmi forgalomban kapható tisztítószerekkel, illetve a bakelitlemezekhez használt antisztatikus spray-vel tisztítsa meg.
23. A halláskárosodás elkerülése érdekében ne hallgassa a készüléket nagy hangerővel huzamosabb ideig.



## FIGYELEM: SUGÁRZÁSVESZÉLY

CLASS 1 LASER PRODUCT  
LUOKAN 1 LASERLAITE  
KLASS 1 LASERAPPARAT

Ez a címke az jelenti, hogy a készülék lézeralkatrészt tartalmaz. A CD-tartó fedelének kinyitása, és a biztonsági zárószervezetek kiiktatása esetén lézersugárzás érheti a felhasználót. Ne nézzen a lézerbe a működése közben.

## ÜZEMBE HELYEZÉS ELŐTT

### Megjegyzések: CD lemezekre vonatkozó információk.

- a. Mivel a szennyezett, sérült vagy meghajlott CD-k károsíthatják a készüléket, figyeljen oda a következőkre:  
Használható CD lemezek. Csak olyan CD lemezeket használjon, amelyeken megtalálható az alábbi jelölés.



- b. CD kompaktlemez csak digitális audiojelekkel.

## MEGJEGYZÉS



### Megfelelőség

A Blaupunkt Competence Center 2N-Everpol Sp. z o.o. kijelenti, hogy ez a készülék megfelel a 2014/53/EU irányelv alapvető követelményeinek és más vonatkozó rendelkezéseinek. A megfelelési nyilatkozat a termék honlapjáról szerezhető be: [www.blaupunkt.com](http://www.blaupunkt.com).  
Felelős fél: 2N-Everpol Sp. z o.o, Puławska 403A, 02-801 Varsó, Lengyelország,  
telefon: +48 22 331 99 59, e-mail: [info@everpol.pl](mailto:info@everpol.pl)



A készülék kiváló minőségű, újrahasznosítható és újrafelhasználható anyagokból és alkatrészekből készült.



Ha az áthúzott, kerek szemetesláda szimbólum fel van tüntetve a készüléken, az azt jelenti, hogy a készülék megfelel a 2012/19/EU európai irányelvnek. Kérjük, tájékozódjon az elektromos és elektronikus készülékek helyi szelektív gyűjtésére vonatkozó előírásokról. Cselekedjen a helyi törvényeknek megfelelően, és a kiselejtett készülékeket gyűjtse elkülönítve a lakossági hulladéktól. A feleslegessé vált készülék

helyes kiselejtezésével segít megelőzni a környezetszennyezést és a különféle egészségkárosodásokat.



A termék akkumulátorai megfelelnek a 2006/66/EC európai irányelv követelményeinek, ezért ne kezelje őket háztartási hulladékként. Tájékozódjon a hulladékok szelektív gyűjtésének helyi rendszeréről, mivel a megfelelő hulladékkezelés hozzájárul a környezetszennyezéssel és a különféle egészségkárosodásokkal kapcsolatos következmények megelőzéséhez.

## Környezetvédelemmel kapcsolatos tudnivalók

A termék csomagolása nem tartalmaz felesleges csomagolóanyagot. A csomagolás három különböző anyagra osztható fel: karton (doboz), polisztrén hab (védőbakok) és polietilén (tasakok, védő hablapok). A rendszerben található anyagokat erre specializálódott vállalat képes újrafeldolgozni és újrahasznosítani. Tartsa szem előtt a csomagolóanyagok, kimerült akkumulátorok és régi készülékek leselejtezésére vonatkozó helyi előírásokat.

Bizonyos anyagok felvételéhez és lejátszásához hozzájárulás szükséges. Lásd az 1956-os szerzői jogi, illetve az 1958–1972-es, a szellemi tulajdon védelmével foglalkozó törvényt.

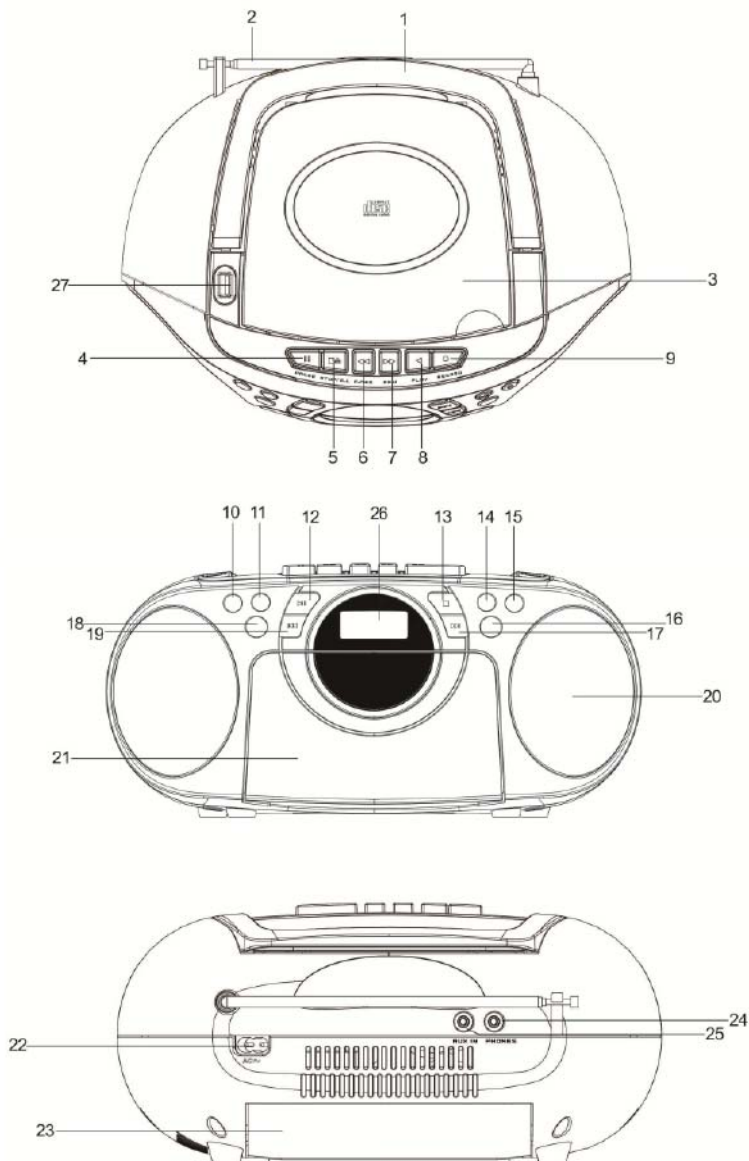
### ERP2-re (energiával kapcsolatos termékek) vonatkozó megjegyzés

A termék megfelel a 2009/125/EK irányelv végrehajtásáról szóló 1275/2008 számú bizottsági rendelet 2. szakaszában található, az elektromos és elektronikus háztartási és irodai berendezések készenléti és kikapcsolt üzemmódban fellépő elektromosáram-fogyasztására vonatkozó környezetbarát tervezési követelményeknek. Ha 60 percig nem észlel bemenő audiojelet, a készülék automatikusan készenléti üzemmódba kapcsol. A használat folytatásához olvassa el a kezelői kézikönyvet.

### Fontos megjegyzések:

A készülék energiatakarékos üzemmódban működik: ha 60 percig nem kap jelet, a készülék automatikusan készenléti üzemmódba vált, hogy energiát takarítson meg (ERP 2 szabvány). Előfordulhat, hogy a rendszer az alacsony hangerejű audioforrást nem érzékeli audiojelként: ez hatással van a jelérzékelési képességére, és a készülék automatikusan készenléti üzemmódba válthat. Ebben az esetben a lejátszás folytatásához aktiválja újra az audiojel-átvitelt vagy növelje az audioforrás (MP3-lejátszó stb.) hangerő-beállítását. Ha a probléma továbbra is fennáll, forduljon a helyi szervizközponthoz.

## KEZELŐSZERVEK ELHELYEZKEDÉSE



## Kezelőelemek

1. Fogantyú;
2. FM antenna;
3. CD tok;
4. Szünet gomb;
5. Leállítás/Kinyitás gomb;
6. Előretekerés gomb;
7. Visszatekerés gomb;
8. Lejátszás gomb;
9. Felvétel gomb;
10. 10 / Fold / M.- gomb;
11. 10 / Fold / M.+ gomb;
12. Lejátszás / szünet gomb;
13. Leállítás gomb;
14. Hangerő csökkentése;
15. Hangerő növelése;
16. Készenléti állapot / funkció gomb;
17. Következő / Tune + gomb;
18. Programozás / memória / lejátszási mód;
19. Előző / Tune - gomb;
20. Hangszóró;
21. Kazettaház;
22. Tápcsatlakozó;
23. Elemtartó;
24. Fülhallgató csatlakozó;
25. AUX csatlakozó;
26. LCD kijelző;
27. USB csatlakozó;

## ÁRAMFORRÁS

A készülék árammal és elemmel is működtethető.

### Működtetés árammal

A tápkábel egyik végét csatlakoztassa az elektromos aljzatba, a másik végét pedig a készüléken található csatlakozóba. Az elem automatikusan lecsatlakoztatásra kerül.

### Működtetés elemmel

Nyissa ki az elemtartó fedelét. Helyezzen be 6 darab UM-1/D elemet (nem képezik a készlet részét) az elemtartóba. Ügyeljen a pólusok megfelelő elhelyezésére.

### FIGYELMEZTETÉS

Ha a készüléket hosszabb ideig nem használja, vegye ki belőle az elemet. Az elemek kémiai anyagokat tartalmaznak, ezért azokat megfelelő módon kell ártalmatlanítani.

### ALAPVETŐ FUNKCIÓK

A készülék bekapcsolása

A tápkábel csatlakoztatása után a készülék bekapcsolásához nyomja meg a készenléti állapot / funkció gombot, majd a CD / USB / AUX / TAPE vagy RADIO mód kiválasztásához a készenléti állapot / funkció gombot. A készenléti állapot / funkció gomb lenyomva tartása kikapcsolja a készüléket.

**FIGYELEM:** CD / USB / AUX / TAPE módban, ha a készülék 60 percig használaton kívül marad, automatikusan bekapcsol a készenléti állapot. Kazetta lejátszás módban, ha 60 percig nem kerül lejátszásra a kazetta, a készülék automatikusan készenléti állapotba kerül. A készülék ismételt bekapcsolása érdekében nyomja meg a készenléti állapot / funkció gombot, vagy csatlakoztassa újra az áramforrást.



**Elektrosztatikus kisülésekre vonatkozó információk** - ha a készülék működését elektrosztatikus kisülések zavarják, kapcsolja ki és be a készüléket.

### Hangerő szabályozás

Nyomja meg a VOL. +/- gombot a hangerő növeléséhez vagy csökkentéséhez.

### Fülhallgató csatlakozó

W celu dyskretnego odsłuchu, podłącz słuchawki z wtyczką 3,5 mm (nie dołączone) do gniazda słuchawkowego. A hangszóró automatikusan kikapcsolásra kerül.

Figyelmeztetés: A fülhallgató hosszantartó, túl nagy hangerősséggel történő használata halláskárosodáshoz vezethet.

### FM rádió használata

A rádió hallgatása előtt húzza ki teljesen az FM antennát és a jobb vétel érdekében helyezze a készüléket ablak közelébe; az FM mód bekapcsolásához nyomja meg a készenléti állapot / funkció gombot.

- 1. FM rádióállomások keresése:** az FM frekvencia 0,05 MHz-el történő módosításához röviden nyomja meg a Tune +/- gombot. Az elérhető rádióállomások felfelé vagy lefelé történő automatikus kikereséséhez tartsa lenyomva 2 másodpercig a Tune +/- gombot; a következő állomás kikereséséhez nyomja meg és tartsa lenyomva a gombot.
- 2. Rádióállomások manuális elmentése:** A kívánt rádióállomás Tune +/- gombbal történő kiválasztása után a programozás elkezdéséhez nyomja meg a programozás/memória/lejátszási mód gombot; nyomja meg a 10 / fold / M.- vagy a 10 / fold / M. +, gombot a rádióállomás számának meghatározása érdekében (maximálisan beprogramozható rádióállomások száma: 40), a kiválasztás jóváhagyásához ismét nyomja meg a programozás/memória/lejátszási mód gombot; a rádióállomás a megadott számmal kerül elmentésre.
- 3. Rádióállomások automatikus programozása** (automatikus keresés és max. 40 rádióállomás elmentése): Az elérhető rádióállomások kikereséséhez és elmentéséhez nyomja meg röviden a lejátszás / szünet gombot; Az elmentett rádióállomás kiválasztásához röviden nyomja meg a 10 / fold / M.- vagy a 10 / fold // M. + gombot.

### MAGNETOFON HASZNÁLATA

#### Zenelejátszás kazettáról

A készülékbe való behelyezés előtt feszítse meg a szalagot a kazettában. Helyezzen egy ceruzát vagy tollat a kazetta nyílásába és forgassa el a szalag megfeszítése érdekében. A kazettához kinyitásához nyomja meg a leállítás/kinyitás gombot.

Helyezze a kazettát a kazettaházba (szalaggal felfelé és a teli tekerccsel balra), nyomja be a kazettát és zárja be a kazettaházat. A szalaghoz nem szabad hozzányúlni. Helyezze a kapcsolót TAPE pozícióba és nyomja meg a gombot a kazetta lejátszásához. A lejátszás leállításához nyomja meg a leállítás/kinyitás gombot. A kazetta kivételéhez ismét nyomja meg a leállítás/kinyitás gombot.

#### AUTO STOP

Amikor a kazetta lejár, a beépített automatikus leállító rendszer kioldja a lejátszás vagy a felvétel gombot. Az automatikus leállító rendszer azt eredményezi, hogy a beépített rádió vagy CD lejátszó felvételekor az auto stop funkció leállítja a felvételt amikor a szalag a végére ér, a rádió vagy a CD lejátszó lejátszása pedig folytatódik.

#### Rádió felvétele

1. Helyezzen egy üres kazettát a kazettaházba.
2. Az FM mód kiválasztásához nyomja meg a készenléti állapot / funkció gombot.
3. A következő / TUN.+ vagy az előző / TUN.- gomb lenyomásával válassza ki a kívánt rádióállomást.
4. A felvétel elindításához nyomja meg a felvétel gombot. A felvétel és a lejátszás gomb egyszerre fog lenyomódni.
5. A felvétel leállításához nyomja meg a leállítás / kinyitás gombot.
6. A felvétel meghallgatásához kövesse a kazetta lejátszására vonatkozó utasításokat.

**Figyelem:** A felvétel pillanatnyi szüneteltetése - használja a szünet gombot a leállítás/kinyitás gomb helyett a felvétel pillanatnyi szüneteltetéséhez. A felvétel folytatásához ismét nyomja meg a szünet gombot.

### Felvétel CD / USB / AUX-ról

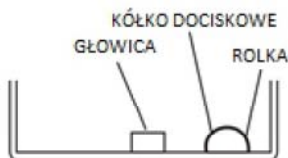
1. Helyezzen egy üres kazettát a kazettaházba.
2. A CD, USB vagy AUX mód kiválasztásához nyomja meg a készenléti állapot / funkció gombot.
3. Helyezze be a CD-t, USB készüléket vagy csatlakoztassa a külső audió forrást az AUX kábel segítségével, majd válassza ki a felvenni kívánt zenészműt.
4. A lejátszás elindításához nyomja meg a lejátszás / szünet gombot. A felvétel elindításához nyomja meg a felvétel gombot. A felvétel és a lejátszás gomb egyszerre fog lenyomódni.
5. A felvétel szüneteltetéséhez vagy szerkesztéséhez nyomja meg a szünet gombot. A felvétel folytatásához ismételtén nyomja meg a gombot.
6. A felvétel leállításához nyomja meg a leállítás / kinyitás gombot.
7. A felvétel meghallgatásához kövesse a kazetta lejátszására vonatkozó utasításokat.

### Kazetta típusok

A felvételhez kizárólag jó minőségű (IEC TYPE 1) kazettát használjon. Nem ajánlott C120 típusú kazetták használata.

### A magnetofon mechanizmusának megóvása

A készülék működése során 10 óránként tisztítsa meg a fejegységet és a nyomókereket/görgőt.



A lejátszó fejegysége és a nyomókerék felülete gyengéd, nem szabad fém tárggyal, pl. csavarhúzóval hozzáérni. A magnetofon alkatrészeit könnyebb kitisztítani a lejátszás gomb megnyomása után, mely kitolja a fejegységet és a nyomókereket. A mechanizmus kitisztítása után nyomja meg a leállítás gombot. A készülék leállítása lenyomott lejátszás gombbal a nyomókerék károsodásához vezethet. A készülék alkatrészeit semmilyen esetben nem szabad bekenni.

### CD/MP3 HASZNÁLATA

Lejátszható lemezek

A készülék minden típusú CD lemez, lezárt MP3, WMA CD-R lemez, lezárt audió CD-R és CD-DA formátumú CD/CD-R/CD-RW lemezek lejátszását lehetővé teszi.

### A lemez behelyezése

1. A CD mód kiválasztásához nyomja meg a készenléti állapot / funkció gombot.
2. Nyissa ki a CD olvasót. A kijelzőn az „OPEN” felirat jelenik meg.
3. Helyezze be a lemezt (címkével felfelé).
4. Zárja be a lejátszót. A zenefájlok száma a lemez betöltése után jelenik meg a kijelzőn.
5. A CD lemez kivételéhez nyomja meg a stop gombot és nyissa ki a lejátszót, majd fogja meg a lemez peremét és vegye ki.

### Figyelem:

1. A készülék megfelelő működésének biztosítása érdekében várja meg, hogy a lejátszó befejezze a lemez beolvasását.
2. Amikor az olvasóban nincs lemez, vagy fordítva került behelyezésre (címkével lefelé), a „NO CD” felirat jelenik meg.

### Lemezlejátszás

A lemez behelyezése után a lejátszás automatikusa elindul az 1. zeneszámtól kezdve. A lejátszás szüneteltetéséhez nyomja meg a lejátszás / szünet gombot. A lejátszást jelző lámpa villogni fog, a zeneszám aktuális száma pedig a kijelzőn fog megjelenni. A lejátszás folytatásához nyomja meg a lejátszás / szünet gombot. A lejátszás megállításához nyomja meg a Stop gombot, a kijelzőn a zenefájlok száma fog megjelenni.

### A kívánt zeneszám/pozíció kiválasztása

#### A kívánt zeneszám kiválasztásához

Nyomogassa a következő / TUN. + vagy az előző / TUN-. gombot a kívánt szám kivételéhez.

### A zeneszám konkrét részének kikeresése lejátszás közben (a zeneszám gyors tekerése)

Nyomja meg és tartsa lenyomva a következő / TUN. + vagy az előző / TUN-. gombot az adott zeneszám kívánt részének kikereséséhez, majd engedje fel a gombot. A lejátszás a kiválasztott résztől indul el.

### 10-től magasabb számú zeneszám kiválasztása (csak MP3 lemezek esetében)

A 10-től magasabb számú zeneszám kiválasztásához nyomja meg a 10 / fold / M.- vagy a 10 / fold / M. +gombot, melynek segítségével tízesével léptethetők a számok, majd nyomja meg a következő / TUN. + vagy az előző / TUN-. gombot a kívánt zeneszám kiválasztásához. Példaképpen, a 17-es zeneszám kiválasztásához nyomja meg a 10 / fold / M. +gombot, majd hatszor nyomja meg a következő / TUN. +gombot.

### Mappa kiválasztása (csak akkor, ha az MP3 lemez több mint egy mappát tartalmaz)

Lejátszáskor a következő/előző mappa kiválasztásához nyomja meg és tartsa lenyomva 2 másodpercig a 10 / fold / M.- vagy a 10 / fold / M. +gombot.

### Lejátszási lista készítése

Lejátszási listák készítése kizárólag leállított zenelejátszás mellett lehetséges. A lejátszó memóriájában tetszőleges sorrendben 20 CD zeneszám és 99 MP3 fájl menthető el.

1. Leállított zenelejátszás mellett nyomja meg a programozás / memória / lejátszási mód gombot; a „PROG” szimbólum villogni kezd, majd megjelenik a „P01”-es felirat.
2. Nyomja meg a következő / TUN. + vagy az előző / TUN- gombot az első elmentendő zeneszám kiválasztásához.
3. Nyomja meg a programozás / memória / lejátszási mód gombot a jóváhagyáshoz. A kijelzőn a „P02”-es felirat jelenik meg.
4. Más zeneszámok elmentéséhez ismétlje meg a 2. és 3. pontban leírt lépéseket.
5. Az első elmentett zeneszámtól történő lejátszás érdekében nyomja meg a lejátszás / szünet gombot.
6. Az előre beprogramozott lejátszás leállításához nyomja meg a stop gombot.

### A memória törlése (lejátszási lista)

A program kétféleképpen törölhető:

1. Leállított lejátszáskor nyomja meg a stop gombot, vagy
2. Nyissa ki a lemezolvasót - a program törlésre kerül.

### Ismétlés (REPEAT)

Egy zeneszám ismétléséhez

1. Lejátszás módban nyomja meg egyszer a programozás / memória / lejátszási módgombot; a kijelzőn a „R” szimbólum fog megjelenni és villogni. Az adott zeneszám egészen a stop gomb megnyomásáig ismétlődni fog.
2. Az ismétlés kikapcsolásához nyomogassa a programozás / memória / lejátszási mód gombot egészen addig, amíg az LCD kijelzőn el nem tűnik a „R” szimbólum.

### Mindegyik zeneszám ismétléséhez

1. Lejátszás módban nyomogassa a programozás / memória / lejátszási mód gombot egészen addig, amíg meg nem jelenik a kijelzőn a „” szimbólum; a lemezen megtalálható összes zeneszám ismétlődni fog a stop gomb megnyomásáig.
2. Az ismétlés kikapcsolásához nyomogassa a programozás / memória / lejátszási mód gombot egészen addig, amíg az LCD kijelzőn el nem tűnik a „” szimbólum.

### Az adott mappa ismétléséhez (kizárólag MP3 esetében)

1. Lejátszás módban nyomogassa a programozás / memória / lejátszási mód gombot egészen addig, amíg a kijelzőn meg nem jelenik az „FOLDER” szimbólum; az adott mappa egészen a stop gomb megnyomásáig ismétlődni fog.
2. Az ismétlés kikapcsolásához nyomogassa a programozás / memória / lejátszási mód gombot egészen addig, amíg az LCD kijelzőn el nem tűnik a „FOLDER” szimbólum.

### Véletlenszerű lejátszás

Lejátszás módban nyomogassa a programozás / memória / lejátszási mód gombot egészen addig, amíg a kijelzőn meg nem jelenik az „RDM” szimbólum; a véletlenszerű lejátszás a következő zeneszámmal indul el és az összes zeneszám lejátszásáig bekapcsolva marad, majd ezt követően kikapcsol.

A kikapcsoláshoz nyomja meg egyszer a programozás / memória / lejátszási mód gombot.

### Előzetes lejátszás (Intro)

Lejátszás módban nyomogassa a programozás / memória / lejátszási mód gombot egészen addig, amíg a kijelzőn meg nem jelenik az „INTRO” szimbólum, ezt követően a zeneszámok 10 másodperces lejátszása automatikusan elindul. Az előzetes lejátszás kikapcsolásához nyomja meg a programozás / memória / lejátszási mód gombot egészen addig, amíg a kijelzőn el nem tűnik az „INTRO” szimbólum.

### USB használata

1. Az USB mód kiválasztásához nyomja meg a készenléti állapot / funkció gombot.
2. Csatlakoztassa az USB eszközt az USB csatlakozóba. Az LCD kijelző kivetíti az USB tárhelyen elmentett zeneszámok és mappák számát. Az USB tárhely beolvasása után a lejátszás automatikusan elindul.
3. A lejátszás leállításához nyomja meg a stop gombot. A kijelző az USB tárhelyen megtalálható zeneszámok számát fogja kivetíteni.
4. Az ismételt lejátszás (1 zeneszám, mappa, vagy összes szám ismétlése) funkció a „CD/MP3 HASZNÁLATA” fejezetben került leírásra.

### Figyelem:

1. Az USB tárhely csatlakoztatásakor ne használjon USB hosszabbítót, mivel ez interferenciát okozhat
2. Az USB csatlakozó kizárólag zenelejátszásra szolgál. Nem tölthető róla tetszőleges készülék.
3. A maximálisan kezelt tárhely kapacitás 32 GB. Az USB kizárólag zenelejátszásra szolgál. Az MP3 fájlok nagy része támogatott, azonban más formátumú zenefájlok nem játszhatók le.
4. Előfordulhat, hogy a telefonról USB kábellel, vagy kódolt USB készülékről történő lejátszást a készülék nem fogja támogatni.

### AUX csatlakozó használata

A készülék egy 3,5 mm-es AUX csatlakozóval van ellátva, mely MP3 lejátszók vagy más források csatlakoztatására szolgál az audio jel felerősítése érdekében.

1. Az AUX mód kiválasztásához nyomja meg a készenléti állapot / funkció gombot.
2. Csatlakoztassa az audio kábel (nincs mellékelve) egyik végét az AUX IN csatlakozóba, a másik végét pedig a külső hangforrás AUDIO OUT csatlakozójába. A készülék automatikus AUX módba kapcsol.
3. A kívánt hangerőt ezen a készüléken állítsa be.
4. A lejátszás elindításához nyomja meg a lejátszás gombot a külső hangforráson (pl. Mp3 lejátszó).

**Műszaki adatok**

Táp: AC100-240V ~ 60 / 50Hz

DC 9V UM-1 x 6db. (Az elemek nincsenek mellékelve)

Súly kb. 1.46 kg

Méret kb. 285 mm (W) x 213 mm (D) x 140 mm (H)

Működési hőmérséklet + 5 o C - +45 o C

FM sávszélesség 87,5-108 MHz

USB tárhely maximális kapacitása - 32 GB

Lézer 3 - sávós

Frekvenciatartomány 100 Hz - 16KHz

Felvétel 2 sávós (sztereó)

Bias System DC Bias

Frekvenciatartomány 125 - 6,3 KHz

Wow and flutter 0.35% WRMS (JIS)

Kimeneti teljesítmény 1,5W x 2

Áramfelvétel 13Watt

Áramfelvétel készenléti állapotban <0.5W

(a fenti adatok előzetes értesítés nélkül változhatnak)



## VAŽNE SIGURNOSNE UPUTE


**OPREZ**


UGROŽENJE OD ELEKTRIČNOG  
UDARA  
NEMOJTE OTVARATI

**Važne sigurnosne upute****Oprez:**

Kako bi se smanjila opasnost od električnog udara, nemojte skidati poklopac niti stražnj dio uređaja. Unutar uređaja ne postoje komponente za popravak od strane korisnika. Održavanje i popravak opreme izvršava isključivo kvalificirano servisno osoblje.

**Objašnjenje grafičkih simbola:**

Simbol munje sa strelicom koji se nalazi u jednakostraničnom trokutu upozorava na prisutnost neizoliranog „opasnog napona“ unutar kućišta uređaja koja može postići veličinu uzrokujuću strujni udar.



Uskličnik unutar jednakostraničnog trokuta upozorava korisnika da ovdje su prezentirane važne poruke za rad i održavanje opreme u dokumentaciji priloženoj uređaju.

Pročitajte ovaj priručnik prije uporabe uređaja da se upoznate sa značajkama i kako koristiti uređaj sukladno namjeni. Ovo će osigurati dugotrajan, besprijekoran rad uređaja i zadovoljstvo uz korištenje.

**Važne informacije**

- Sačuvajte operativne upute i sigurnosne informacije kako bi se ih moglo koristiti u budućnosti.
- Nemojte dopustiti da na uređaj kapa ili proliva se bilo koja tekućina.
- Ne smije se također koristiti na vlažnim mjestima, kao što su npr. kupaonica.
- Ne postavljajte uređaj na sljedećim mjestima:
- Izložen suncu ili blizu grijalica.
- Na vrh druge stereo opreme koja generira toplinu.
- Tako da blokira ventilaciju ili u prašnjavom mjestu.
- U okruženju izloženom neprekidnim vibracijama.
- U područjima visoke vlage.
- Ne postavljajte uređaj blizu otvorenog plamena ili otvorene vatre.
- Uređaj se može koristiti samo na način opisan u ovim uputama.
- Prije prvog uključivanja napajanja, pobrinite se da je napajanje ispravno pripojeno.
- USB memoriju se pripaja neposredno ili preko produžnog USB kabela s dužinom do 25 cm.

Iz sigurnosnih razloga, nemojte skidati poklopce ili pristupiti unutrašnjosti uređaja. Uređaj smije popravljati samo kvalificirano servisno osoblje. Nemojte rastavljati uređaj ili otvarati njegovo kućište, jer unutra nema dijelova koje bi se moglo popraviti od strane korisnika. Održavanje i popravak opreme izvrši isključivo kvalificirano servisno osoblje.

**Sigurnosne upute**

1. Pročitajte upute - prije uporabe stroja, pročitajte sve upute i informacije o sigurnosti.
2. Sačuvajte ove upute - zadržite upute za upotrebu i održavanje kako bi se ih moglo koristiti u budućnosti.
3. Poštujte upozorenja - slijedite sva upozorenja objavljena na uređaju te koje se nalaze u uputama.
4. Slijedite upute - slijedite upute i preporuke za korisnike.
5. Montaža - montirajte uređaj prema uputama proizvođača.
6. Izvori energije - uređaj treba napajati samo iz izvora koji je naveden na naljepnicama na kabele napajanja. Ako niste sigurni koju vrstu napajanja ima vaša kuća, obratite se prodavatelju ili lokalnoj energetskej tvrtki.
7. Uzemljenje ili polarizacija napajanja - uređaj ne mora biti uzemljen. Provjerite je li utikač potpuno umetnut u utičnicu ili u produžni kabel, kako bi se spriječio otkriće igle ili kontakata. Neke verzije stroja mogu biti opremljene polariziranim utikačem izmjenične struje (jedna lopatica je šira). Ovaj utikač se može umetnuti u utičnicu samo na jedan način. Ovo je sigurnosna značajka. Ako ne možete staviti utikač u utičnicu, pokušajte ga okrenuti. Ako utikač i dalje ne odgovara utičnici, pozovite električara da to promijeni. Ne skidajte zaštitu polariziranog utikača. Kada koristite produžni kabel ili kabel za napajanje osim isporučenog s uređajem morate imati odgovarajuće čepove i potvrdu o sigurnosti potrebnu za određenu zemlju upotrebe.
8. Osiguranje kabela za napajanje - energetske kabele moraju biti preusmjereni na takav način kako ne bi se moglo kroz njih hoditi, pritiskivati ili obrezivati bilo kojim postavljanim objektima. Obratite posebnu pozornost na utikače, utičnice i mreže, gdje kabele izlaze iz uređaja.
9. Preopterećenja - nemojte preopteretiti zidne utičnice, produžne kabele i električne distributere, jer ovo baš može dovesti do požara ili strujnog udara.
10. Ventilacija - uređaj mora biti pravilno provjetran. Ne postavljajte uređaj na krevet, kauč ili drugu sličnu površinu. Nemojte prekrivati stroj stolnjakom, salvetom, novinama i sl.
11. Vrućina - nemojte postavljati uređaj u blizini izvora topline kao što su grijači, radijatori, peći i ostali uređaji (pojačala) koji stvaraju toplinu. Ne stavljajte na uređaj upaljenih svijeća i drugog otvorenog plamena.
12. Voda i vlaga - kako bi se smanjio rizik od požara ili električnog udara, nemojte izlagati uređaj kiši, vlazi i vodi, na primjer u sauni ili u kupaonici. Ne koristite ovaj proizvod u blizini vode, primjerice blizu kade, umivaonika, sudopera ili kade za pranje rublja, u vlažnom području ili blizu bazena (ili u drugim sličnim mjestima).
13. Predmeti i tekućine u uređaju - nemojte gurati predmete kroz otvore jer može doći do kontakta s opasnim naponom te komponenata, koje mogu izazvati požar ili strujni udar. Ni pod kojim uvjetima ne prolijevajte nikakvu tekućinu na površini uređaja. Ne stavljajte predmete na vrhu koje sadrže tekućine.
14. Čišćenje - uvijek prije čišćenja isključite uređaj iz zidne utičnice. Prašinu oko zvučnika se može ukloniti suhom krpom. Ako za čišćenje će se koristiti sredstvo u obliku aerosola, sprej ne bi se smijelo da bude usmjeren izravno na stroj, ali tkaninu. Budite oprezni da ne oštetiti pogonske jedinice.
15. Dodatna oprema - nemojte koristiti pribore koji nisu odobreni od strane proizvođača, jer mogu predstavljati prijetnju za rad uređaja i za samog korisnika.
16. Pribori - nemojte postavljati uređaj na nestabilne kolicе, stalu, tronožcu, nosaču ili stolu. Uređaj se može kotrljati i oštetiti se ili uzrokovati ozbiljne ozljede djeci ili odraslim osobama. Koristite samo kolicе, stalke, tronožce, nosače ili stolove kojih preporučuje proizvođač ili se ih prodaje zajedno s uređajem. Montažu uređaja se mora provesti u skladu s uputama proizvođača, koristite pribore za ugradnju oobrene od strane proizvođača.
17. Premještanje stroj - uređaj postavljen na kolicama mora se premješati vrlo pažljivo. Naglo zaustavljanje, previša sila i neravne površine mogu uzrokovati da kolica s uređajem prevrne.
18. Vrijeme bez korištenja uređaja - kabel napajanja mora biti isključen iz zidne utičnice tijekom grmljavinskog nevremena ili ako se ga ne koristi duže vrijeme.

19. Servisiranje - ne pokušavajte pogledati unutrašnjost uređaja sami. Otvaranje poklopca može uzrokovati opasne napone i izložiti vas drugim opasnostima. Održavanje i popravak opreme vrši isključivo kvalificirano servisno osoblje.
20. Kada stroj nije u uporabi, izvucite mrežni utikač iz zidne utičnice. Kad je uređaj pripojen na izvor napajanja, uređaj je u stanju čekanja i nije u potpunosti isključen.
21. Rezervni dijelovi – tijekom zamjene dijelova, treba provjeriti dla li serviser je koristio rezervne dijelove koje preporučuje proizvođač ili dijelove koje su identične originalnim dijelom. Izrada zamjene neodobrenih rezervnih dijelova ugrožava od požara, strujnog udara ili drugih opasnosti.
22. Glavni osigurači – da bi se konstantno osiguralo uređaj od požara, koristite osigurače samo odgovarajuće vrstu i određenih parametara. Parametri osigurača u rasponu napona su označeni na uređaju.
23. Ne smije se da se poveća glasnoću dijela kad se sluša dio s niskom glasnoćom ili u slučaju odsutnosti ulaznog audio signala. Inače, s naglim porastom snage signala možete oštetiti zvučnik.
24. Jedini način da isključite uređaj iz izvora napajanja je takav da odspojite mrežni kabel iz zidne utičnice ili uređaja. Električna utičnica ili kabel ulazne snaga na uređaju mora biti uvijek na raspolaganju kada koristite proizvod.
25. Uređaj bi trebao biti instaliran u blizini utičnice napajanja ili produžnog kabela na takav način su oni uvijek na raspolaganju.
26. Maksimalna temperatura okoline uređaja je 35°C
27. Savjeti za elektrostatička pražnjenja - ako se rad prekine zbog elektrostatičkog pražnjenja, isključite uređaj ponovno ili premjestiti ga na drugo mjesto.
28. Baterija
  - a. Baterije se ne smije izlagati pretjeranoj toplini, npr. suncu, vatri i sličnim uvjetima.
  - b. Kod zbrinjavanja baterije, obratite pažnju na aspekte okoliša.
  - c. Ponašajte se oprezno tijekom korištenjem baterija: kako bi se spriječio curenje baterije, koje može uzrokovati ozljede ili oštećenja na uređaju:
    - Pri umetanju baterija obratite pažnju na polaritet (+ i -).
    - Nemojte koristiti različite baterije u isto vrijeme - stare i nove, alkalne baterije, standardne itd.
    - Izvadite baterije iz uređaja kad se ga neće koristiti duže vrijeme.

## UPOZORENJE

Uređaj ne smije biti korišten od strane osoba (uključujući djecu) sa smanjenim fizičkim, osjetilnim ili mentalnim sposobnostima te osoba s nedovoljnim znanjem i iskustvom, ako nisu one pod nadzorom osobe odgovorne za njihovu sigurnost i nisu obučeni o tome kako sigurno koristiti uređaj. Prisutnost odraslih je potrebna ako uređaj koriste djeca; ovo će osigurati sigurnu uporabu uređaja.

1. Nikada ne ostavljajte stroj da radi bez nadzora! Isključite uređaj kada nije u uporabi, čak i za kratko vrijeme.
2. Uređaj se ne može upravljati putem vanjskog sata s timerom, ili posebnim sustavom daljinskog upravljanja.
3. Da bi se izbjegla opasnost u slučaju štete za zamjenu kabela napajanja treba se obratiti proizvođaču, ovlaštenom servisu ili drugim stručnim osobama.
4. Prije uporabe uređaja, provjerite je li napon odgovara naponu koji je nastao u mrežnom naponu.
5. Nemojte prekrivati ventilacijske otvore uređaja, npr. papirom, tkaninama, zavjesama, itd. Uvjerite se da uređaj ima najmanje 20 cm slobodnog prostora, a na svakoj strani - najmanje 5 cm.
6. Nemojte dopustiti da na uređaj kapaju ili prolivaju tekućine, te nemojte stavljati posude s tekućinom, poput vaza.
7. Kako biste spriječili požar ili strujni udar, uređaj mora biti zaštićen od žarišta, kiše, vlage i prašine.
8. Ne postavljajte uređaj blizu izvora vode, npr. slavine, kade, bazena ili perilice rublja. Staviti uređaj na ravnu i stabilnu površinu.

9. Nemojte da uređaj izlažete jakim magnetskim poljima.
10. Nemojte da uređaj stavljajte izravno na pojačalu ili prijammiku.
11. Ne postavljajte uređaj na vlažnom mjestu, jer vlaga ima štetan učinak na električne komponente.
12. Dovođenje uređaja iz hladnog u toplo vlažnom mjestu može uzrokovati kondenzaciju na leći unutar playera. U ovom slučaju, uređaj neće raditi ispravno. Uređaj se mora ostaviti uključen oko jedan sat kako bi se omogućilo isparavanje vlage.
13. Izbjegavajte korištenje kemijskih otapala, jer mogu oštetiti boju kućišta. Uređaj se obriše čistom, suhom ili vlažnom krpom.
14. Prilikom uklanjanja utikača iz zidne utičnice, uvijek povucite utikač, a ne kabel.
15. Kada uređaj se koristi u blizini uključenog televizora, ovo može biti izvor buke ili slike u obliku linije na zaslonu uređaja. Ovo ovisi o propusnosti emitiranja valova. To ne označava kvar uređaja ili televizora, ako vidite takve linije, pomaknite uređaj dalje od TV prijemnika.
16. Mrežni utikač se upotrebljava za isključivanje napajanja zato mora biti uvijek na raspolaganju.
17. Da bi ostala laserska glavu za čitanje CD-ploča čista, ne dirajte nju i uvijek zatvorite ulagač diska.
18. Tijekom reprodukcije, disk rotira velikom brzinom. NEMOJTE dizati ili pomicati uređaj tijekom reprodukcije, jer to može dovesti do oštećenja diska ili samog uređaja.
19. Prije premještanja urešaja na drugo mjesto ili za vrijeme za prelazak, izvadite disk i zatvorite ulagač diska. Zatim isključite napajanje i izvucite naponski kabel. Premještanje uređaja s diskom u ulagaču može uzrokovati štetu.
20. Nakon reproduciranja disk treba da bude smješten u paketu. Ne izlažite diskove izravnom sunčevom svjetlu i izvorima topline. Ne ostavljajte ploče u automobilu parkiranom na izravnom suncu.
21. Nikad ne dirajte disk sa strane bez naljepnice. Držite rub ploče, da ne ostaviti otiske prstiju. Prašina, otisci prstiju ili ogrebotine diskova mogu uzrokovati pogrešan rad uređaja. Ne lijepite ljepljivu traku na disk.
22. Za čišćenje diska koristite čistu krpu bez dlačica. Počnite s čišćenjem o linearnom kretanju od središta prema rubu ploče, koristeći sredstva za čišćenje ili antistatička sredstva za vinilne ploče.
23. Da biste spriječili mogući gubitak sluha, ne slušajte glasno glazbu kroz duže vrijeme.



#### UPOZORENJE: IZVOR ZRAČENJA

CLASS 1 LASER PRODUCT  
LUOKAN 1 LASERLAITE  
KLASS 1 LASERAPPARAT

Ova oznaka ukazuje na to da unutar uređaja se nalaze laserski komponenti. Otvaranje poklopca CD pretinca i izostavljanje bravi može uzrokovati izlaganje korisnika laserskom zračenju. Ne gledajte u lasersku zraku za vrijeme rada.

#### PRIJE POSLA

##### Napomene o diskovima.

Prljavi, oštećeni ili deformirani diskovi mogu uzrokovati oštećenja na uređaju, obratite pozornost na sljedeće:

- a. CD koji možete koristiti. Možete koristiti samo diskove navedene u nastavku.
- b. CD isključivo s digitalnim audio zvukom.



**NAPOMENA****Izjava**

Niže navedenim Blaupunkt Competence Center 2N-Everpol Sp. z o.o. izjavljuje da je ovaj proizvod u skladu sa zahtjevima i drugim relevantnim odredbama Direktive 2014/53/EU. Za potpunu Izjavu o sukladnosti posjetite stranicu [www.blaupunkt.com](http://www.blaupunkt.com) na kartici proizvoda. Odgovorni subjekt: 2N-Everpol Sp. Z o.o.

Puławska 403A, 02-801 Varšava, Poljska

Telefon: +48 22 331 99 59, e-mail: [info@everpol.pl](mailto:info@everpol.pl)



Proizvod je izrađen od visokokvalitetnih materijala i dijelova koji se mogu reciklirati i ponovo upotrijebiti.



Ako vaš uređaj ima znak prekrížene kante za otpatke, ovo označava da je proizvod pokriven odredbama Europske direktive 2012/19/EU. Molimo poštuje zahtjeve lokalnog sustava za prikupljanje električnog otpada i elektroničke opreme. Radite u skladu s lokalnim propisima. Ne bacajte ovaj proizvod zajedno s kućnim otpadom. Ispravnim odlaganjem starog proizvoda spriječit ćete potencijalne negativne posljedice na okoliš i zdravlje ljudi.



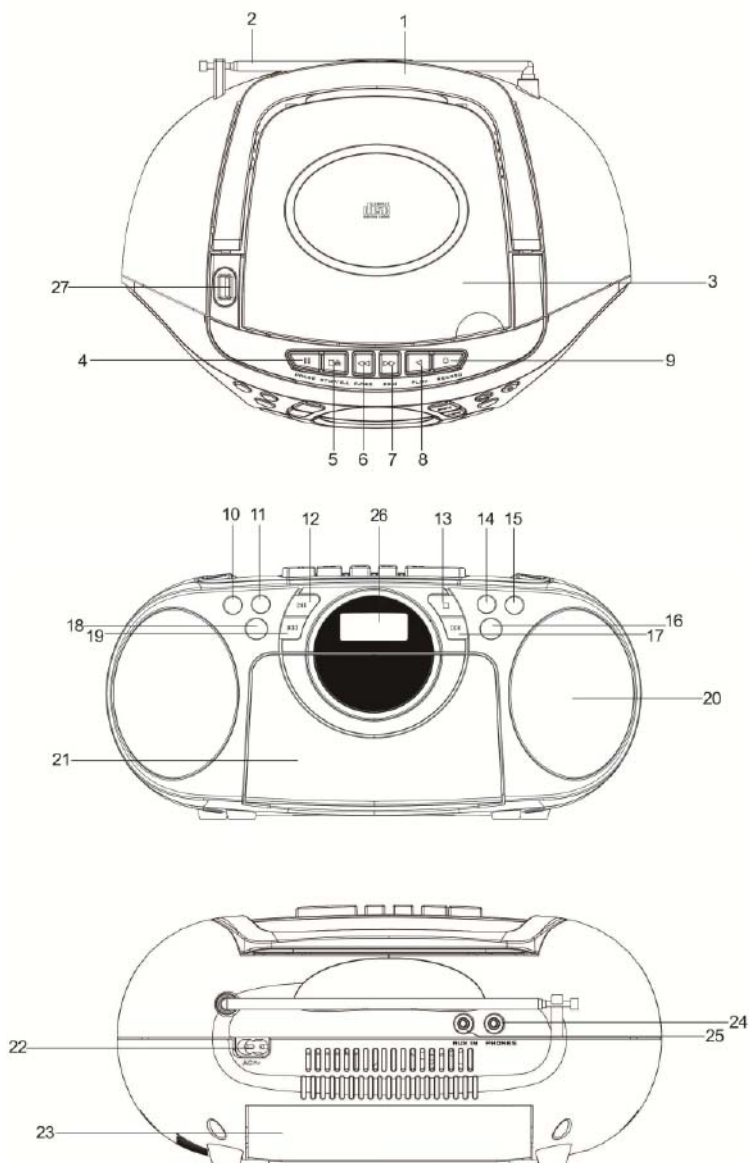
Uređaj je opremljen sa baterijama obuhvaćenim Europskom direktivom 2006/66/EC. Baterije se ne smije odlagati zajedno s komunalnim otpadom. Molimo pogledajte lokalne propise o zasebnom prikupljanju baterija jer ispravnim odlaganjem spriječit ćete potencijalne negativne posljedice na okoliš i zdravlje ljudi.

**Informacije o zaštiti okoliša**

Paket uključuje samo nužne komponente. Svaki napor je napravljen da bit tri sastavni komponenti paketa lako odvojili: karton (kutija), polistirenska pjena (zaštita unutra) i polietilen (vrećica, zaštitna folija). Uređaj je izrađen od materijala koje se može reciklirati i ponovo upotrijebiti nakon demontaže od strane specijalizirane tvrtke. Poštujte lokalne propise o raspolaganju iskorišćenih ambalažnih materijala, baterija i nepotrebne opreme. Snimanje i reprodukcija materijala može zahtijevati pristanak. Vidi Zakon o autorskim pravima i prava izvođača/umjetnika.



## POLOŽAJ UPRAVLJAČKIH ELEMENATA



## Elementi upravljanja

1. Ručka
2. Antena FM
3. CD poklopac
4. Tipka pauza
5. Tipka Stop/Izbacite CD
6. Tipka za premotavanje unaprijed
7. Tipka natrag
8. Tipka za reprodukciju
9. Tipka za snimanje
10. Tipka 10/ Fold / M.-
11. Tipka 10 / Fold / M.+
12. Reproducirajte/pauza
13. Tipka stop
14. Tipka za povećanje glasnoće
15. Tipka za smanjenje glasnoće
16. Tipka stanja pripremljenosti / funkcije
17. Tipka Sljedeći / Tune +
18. Tipka način podešavanja / memorije / reprodukcije
19. Gumb Prethodni / Tune –
20. Zvučnik
21. Komora kasete
22. AC utičnica
23. Pretinac za baterije
24. Priključak za slušalice
25. AUX priključak
26. LCD zaslon
27. USB priključak

## IZVOR NAPAJANJA

Uređaj se može napajati iz mreže ili iz baterija.

### Mrežno napajanje

Priključite jedan kraj kabela za napajanje u utičnicu na uređaju, a drugi kraj u zidnu utičnicu. Baterije će se automatski isključiti.

### Napajanje iz baterija

Otvorite vrata pretinca za baterije. Umetajte 6 UM-1/D baterija (nisu uključeni u setu) u komoru. Promatrajte označeni polaritet.

### OPREZ

Izvadite baterije iz uređaja kad se ga neće koristiti dugo vrijeme. Baterije sadrže kemijske tvari, pa ih treba redno odstranjivati.

## OSNOVNE FUNKCIJE

Uključivanje uređaja

Nakon pripajanja napajanja, pritisnite tipku načina primpremljenosti / funkcije da biste uključili uređaj, a zatim pritisnite tipku načina pripremljenosti / funkcije za odabir CD / USB / AUX / TAPE ili RADIO. Dugo pritisnuće tipke načina pripremljenosti / funkcije isključuje uređaj.

**NAPOMENA:** U načinu CD / USB / AUX / TAPE, kada uređaj nije reproducirao 60 minuta, automatski se prebacuje u stanje mirovanja kada će se kasete igrati 60 minuta. Kako biste ponovo uključili uređaj, pritisnite tipku načina pripremljenosti / funkcije ili ponovno priključite uređaj.

**Savjeti za elektrostatička pražnjenja** - ako se rad uređaja prekine zbog elektrostatičkog pražnjenja, isključite ga i ponovno uključite.

### **Podešavanje glasnoće**

Pritisnite tipku VOL. + / - da povećate ili smanjite glasnoću.

### **Priključak za slušalice**

Za diskretno slušanje spojiti slušalice s 3,5 mm konektorem (nije uključena u setu) u utičnicu za slušalice. Zvučnik izlaz se automatski onemogućuje.

Upozorenje: Dugotrajno korištenje slušalica pri velikoj glasnoći može utjecati na gubitak sluha.

### **Podrška FM radija**

Prije nego što počnete slušati radio, u potpunosti produžite FM antenu i pokušati pomaknuti uređaj pored prozora da biste dobili bolji prijem signala; pritisnite tipku načina pripremljenosti / funkcije da se prebaci na FM radio.

- 1. Pretraga i skeniranje FM stanica:** kratko pritisnite tipku Tune +/- za povećanje ili smanjenje frekvencije od 0,05 MHz. Pritisnite i držite +/- 2 sekunde za automatsko skeniranje i reproduciranje dostupnih stanica gore i dolje na traci; pritisnite i držite tipku za skeniranje sljedećih stanica.
- 2. Ručni zapis radio stanica:** nakon odabira omiljene radio stanice pomoću tipke Tune +/- pritisnite tipku programiranje / memoriju / način reprodukcije za početak programiranja; pritisnite tipku 10 / fold / M.- ili tipku 10 / fold / M.+ za odabir broja na kojem želite programirati stanicu (maksimalan broj pohranjenih stanica - 40), pritisnite ponovno tipku za programiranje / memoriju / način reprodukcije za potvrdu odabira; stanica se sprema pod određenim brojem.
- 3. Automatsko programiranje radijskih stanica** (automatsko skeniranje i programiranje do 40 stanica): kratko pritisnite tipku reproducirajte / pauza za početak automatskog traženja i memoriranja dostupnih radio stanica; kratko pritisnite 10 / fold / M.- ili 10 / fold / M.+ za odabir pohranjene stanice.

### **RUKOVANJE MAGNETOFONOM**

#### **Reprodukcija glazbe iz kasete**

Mora se natezati traku u kaseti prije umetanja u uređaj. Umetnite olovku ili kemijsku u rupu i okretajte za napetost trake. Pritisnite tipku Zaustavite / Otvorite za otvaranje pretinca. Umetnite kasetu u džep (vidljivi dio trake prema gore i puni kalem u lijevo), pritisnite do kraja i zatvorite ladicu. Ne dirajte traku. Postavite prekidač trake u položaju TAPE, a zatim pritisnite tipku reproducirajte kasetu. Da se zaustavi reprodukciju pritisnite tipku Zaustavite / Otvorite džepa. Uklonite kasetu, ponovno pritisnite tipku Zaustavite / Otvorite džep.

#### **AUTO STOP**

Kad traka dođe do kraja tijekom reprodukcije ili snimanja, ugrađeni sistem automatskog zaustavljanja otklopi tipku reprodukcije ili snimanja. Sustav automatskog zaustavljanja uzrokuje, da kod snimanja iz ugrađenog radija ili CD playera funkcija auto stop prekine snimanje kada je traka dosegne kraj a radio ili CD player i dalje će raditi.

#### **Snimanje s radija**

1. Stavite praznu kasetu u pretinac i zatvorite ladicu.
2. Pritisnite tipku stanja pripremljenosti / funkcije za odabir FM.
3. Odaberite željenu stanicu pritiskom tipke Sljedeća / Tun. + ili Prethodna / TUN-.
4. Pritisnite tipku za snimanje da biste započeli snimanje. Tipke snimanje i reprodukcije pritisnite istovremeno.
5. Pritisnite Stop / Izbacite da završite snimanje.
6. Da slušate što je snimljeno, slijedite upute na reprodukciju iz kasete.

**Napomena:** Trenutno pauziranje snimanja – koristite tipku pauza na magnetofonu umjesto Stop / Izbacite za privremeno zaustavljanje snimanja. Ponovno pritisnite tipku pauze za nastavak snimanja.

### Snimanje s CD / USB / AUX

1. Stavite praznu kasetu u pretinac i zatvorite ladicu.
2. Pritisnite tipku stanja pripremljenosti / funkcije za odabir CD, USB ili AUX.
3. Umetnite CD ili USB uređaj ili spojite vanjski audio uređaj na AUX, a zatim odaberite pjesmu koju želite snimati.
4. Pritisnite tipku za snimanje da biste započeli snimanje. Tipke snimanje i reprodukcije pritisnite istovremeno.
5. Pritisnite tipku Pauze za zaustavljanje snimanja ili uređivanja. Pritisnite ponovo za nastavak snimanja.
6. Pritisnite Stop / Izbacite da završite snimanje.
7. Da slušate što je snimljeno, slijedite upute na reprodukciju iz kasete

### Vrste kasete

Koristite za snimanje samo kvalitetne kasete (IEC TYPE 1). U ovom uređaju se ne preporučuje koristiti C120 kasete.

### Održavanje mehanizma magnetofona

Svakih 10 radnih sati, očistite glavu i stezni kotač / rolicu.



Glava za reprodukciju i površina steznog kotača su krhke i ne smije se ih dirati metalnim predmetima, kao što je npr. odvijač. Komponente može se lakše očistiti pritiskom na tipku za reprodukciju za izbacivanje glave i steznog kotača. Nakon čišćenja mehanizma, pritisnite tipku za zaustavljanje. Nakon što je struja isključena i ostavljena tipka za reprodukciju, ovo može oštetiti stezni kotač. U nikakvom slučaju, ne podmazivati stroj.

### RUKOVANJE CD/MP3

Diskovi koji se može reproducirati

Možete igrati sve audio CD, završenih digitalni MP3, WMA, CD-R ploča, završenih digitalnih audio CD-R i CD/CD-R/CD-RW u CD-DA formatu.

### Učitavanje ploča

1. Pritisnite tipku načina pripremljenosti / funkcije za odabir CD načina.
2. Otvorite CD pretinac. Na zaslonu se prikazuje poruka "OPEN".
3. Umetnite disk u džep (s naljepnicom prema gore).
4. Zatvoriti poklopac ploče. Ukupan broj zapisa prikazuje se na zaslonu nakon učitavanja.
5. Za uklanjanje CD-a, pritisnite stop i otvorite poklopac, držite disk za rubove i uklonite ga.

### Napomena:

1. Kako biste osigurali pravilan rad uređaja, morate pričekati do završetka čitanja diska od strane playera.
2. Kada u uređaju nema diska ili disk je umetnut naopako (naljepnicom prema dolje) vidi se poruku "NO CD".

### Reprodukcija diska

Nakon umetanja diska, reprodukcija se automatski pokreće od pjesme br. 1. Za zaustavljanje reprodukcije, pritisnite tipku reproducirajte / pauza. Indikator reprodukcija će treptati, a na zaslonu se pojavljuje broj tekuće pjesme.

Za nastavak reprodukcije, pritisnite Reproducirajte / Pauza. Za zaustavljanje reprodukcije, pritisnite Stop, zaslon prikazuje ukupan broj pjesama.

### Odabir željene pjesme/mjesta

#### Za odabir željene pjesme

Pritisnite tipku Sljedeći / TUN. + ili Prethodni / TUN-. dok se ne prikazuje željena pjesma.

#### Da biste pronašli određeni dio pjesme tijekom reprodukcije (brza pretraga)

Pritisnite i držite Sljedeći / TUN. + ili Prethodni / TUN-. za obavljanje pomicanja tekuće pjesme na velikim brzinama na određeno mjesto, a zatim otpustite tipku. Reprodukcija će započeti od tog mjesta.

#### Za odabir pjesme čij broj je veći od 10 (samo MP3 diskovi)

Za odabir pjesme/stazu čij je broj veći od 10, pritisnite 10 / fold / M.- ili 10 / fold / M. + za svaki skok naprijed/natrag od 10 pjesama, a zatim pritisnite Sljedeći / TUN. + ili Prethodni / TUN-. za odabir željene pjesme. Na primjer, da odaberite 17. pjesmu, pritisnite 10 / fold / M.+ pa onda šest puta Sljedeći / TUN.+.

#### Za odabir željene mape (samo kad MP3 disk sadrži više od jedne mape)

Za preskakanje na željenu mapu tijekom reprodukcije, pritisnite i držite 10 / fold / M.- ili 10 / fold / M. + oko 2 sekunde da se preselite na sljedeću/prethodnu mapu.

### Programiranje pjesama

Programiranje pjesama je moguće samo u načinu zaustavljanja. U memoriji playera može se programirati u bilo kojem redoslijedu do 20 pjesama CD/99 pjesama MP3.

1. U načinu zaustavljanja pritisnite tipku Programiranje / memorija / reprodukcija; Simbol „PROG“ početak će treptati i uključiti indikator „P01“.
2. Pritisnite Sljedeći / TUN. + ili Prethodni / TUN-. za odabir prve pjesme za programiranje.
3. Pritisnite Programiranje / memorija / reprodukcija da biste ju potvrdili. Na zaslonu će se promijeniti prikaz u „P02“.
4. Ponovite korake 2 i 3 za pohranu drugih pjesama dok nisu sve pjesme programirane.
5. Pritisnite Reproducirajte / Pauza za početak reprodukcije od prvog programiranog zapisa.
6. Pritisnite Stop za zaustavljanje programirane reprodukcije.

#### Za brisanje memorije (program reprodukcije)

Program se može resetirati na dva načina:

1. Pritisnite tipku Stop te reprodukcija je zaustavljena, ili
2. Otvorite uložnicu diska - program će biti otkazan.

#### Funkcija ponavljanja (REPEAT)

Da se ponovi jednu pjesmu

1. Pritisnite jednom tipku Programiranje / memorija / reprodukcija u načinu reprodukcije; na zaslonu se prikazuje „R“ simbol, koji bljeska. Trenutna pjesma će se reproducirati više puta sve dok ne pritisnete tipku Stop,
2. Za poništenje funkcije ponavljanja, pritisnite Programiranje / memorija / reprodukcija dok će simbol „R“ nestati iz LCD zaslona.

#### Za ponavljanje svih pjesama

1. Pritisnite Programiranje / memorija / reprodukcija u načinu reprodukcije da sija simbol „R“ na zaslonu; svi zapisi na disku će se ponavljati sve dok ne pritisnete tipku Stop,
2. Za poništenje funkcije ponavljanja, pritisnite Programiranje / memorija / reprodukcija dok će simbol „R“ nestati iz LCD zaslona.

#### Za ponavljanje trenutne mape (samo MP3 diskovi)

1. Pritisnite jednom tipku Programiranje / memorija / reprodukcija u načinu reprodukcije; na zaslonu se prikazuje „M“ simbol, koji bljeska. Trenutna mapa će se reproducirati više puta sve dok ne pritisnete tipku Stop,
2. Za poništenje funkcije ponavljanja, pritisnite Programiranje / memorija / reprodukcija dok će simbol „M“ nestati iz LCD zaslona.



### Miješanje pjesama

Pritisnite tipku Programiranje / skladištenje / reprodukcija u reprodukcijском načinu da osvijetli simbol „RDM” na zaslonu; nasumična reprodukcija će automatski početi od sljedeće pjesme za reprodukciju sve pjesme, a zatim se zaustavi.

Pritisnite tipku Programiranje / skladištenje / reprodukcija za odustajanje.

### Uvodna reprodukcija (Intro)

Pritisnite tipku Programiranje / memorija / reprodukcija u načinu reprodukcije dok se ne pojavi „INTRO” na zaslonu, reprodukcija i skeniranje 10 sekundi svake pjesme će se pokrenuti automatski. Za odustajanje uvodne reprodukcije ponovno pritisnite tipku Programiranje / skladištenje / reprodukcija dok simbol „Intro” nestaje.

### Podrška USB

1. Pritisnite tipku načina pripremljenosti / funkcije za odabir USB načina.
2. Priključite USB memoriju u USB port. LCD zaslon će prikazati ukupan broj zapisa i mapa na USB memoriji. Nakon čitanja USB memorije uređaj počne automatski reproducirati.
3. Pritisnite tipku STOP za prekid reprodukcije. Na zaslonu će se prikazati ukupan broj pjesama na USB.
4. Funkcije reprodukcije s ponavljanje (ponavljanje 1 pjesme, 1 mape i svih pjesama) opisane su u poglavlju „Rukovanje CD/MP3”.

### Napomena:

- 1 Ne koristite USB produžni kabel za povezivanje USB memorije jer ovo može izazvati smetnje
- 2 USB priključak je dostupan samo za reprodukciju glazbe. Ne podržava punjenje bilo kojeg vanjskog uređaja.
- 3 Maksimalna veličina memorije koja može podržati uređaj je do 32 GB. USB je namijenjen samo za reprodukciju glazbe. Većina MP3 datoteka je podržana, drugih glazbenih formata ne može se reproducirati.
- 4 Reprodukcijska s vašeg pametnog telefona preko USB kabela i šifriranog USB uređaja može da neće biti podržana na ovom uređaju.

### Podrška AUX konektora

Proizvod sadrži 3.5 mm AUX priključak za spajanje MP3 playera i drugih izvora kako bi se ojačalo audio signal.

1. Pritisnite tipku načina pripremljenosti / funkcije za odabir AUX načina.
2. Spojite audio kabel (nije u opsegu isporuke) na AUX IN i spojite drugi njegov kraj na AUDIO OUT za vanjski izvor zvuka. Uređaj se automatski prebacuje na način rada AUX.
3. Postavite željenu razinu glasnoće na ovom uređaju.
4. Pritisnite tipku za reprodukciju na vanjskom izvoru zvuka (npr. MP3 player) za početak reprodukcije.

### Specifikacija

Napajanje: AC100-240V ~ 60 / 50Hz

DC 9V UM-1 x 6kom. (baterije nisu uključene u opsegu isporuke)

Težina oko 1.46 kg

Dimenzije oko 285 mm (W) x 213 mm (D) x 140 mm (H)

Temperatura rada + 5 o C - +45 o C

FM frekvenca 87,5-108 MHz

Maksimalni kapacitet podržanih USB memorija - 32 GB

Laser 3 - struki

Frekvencijski opseg 100 Hz - 16KHz

System snimanja 2 kanala (stereo)

Bias System DC Bias

Frekvencijski opseg 125 - 6,3 KHz

Wow and flutter 0.35% WRMS (JIS)

Izlazna moć 1,5 W x 2

Potrošnja struje mocy 13 W

Potrošnja struje u stanju pripremljenosti <0.5W

(gore navedena specifikacija može se mijenjati bez prethodne obavijesti)

## INSTRUCȚIUNI IMPORTANTE REFERITOARE LA SIGURANȚĂ



### AVERTISMENT



#### PERICOL DE ELECTROCUTARE NU DESCHIDEȚI

#### Instrucțiuni importante referitoare la siguranță

##### Avertisment:

Pentru a diminua riscul de electrocutare, nu demontați capacul sau partea din spate a dispozitivului. În interiorul dispozitivului nu există elemente care să poată fi reparate de utilizator. De mentenanța și reparația echipamentului se ocupă exclusiv angajații calificați ai service-ului.

##### Explicarea simbolurilor grafice:



Simbolul fulgerului terminat cu o săgeată, plasat într-un triunghi echilateral, avertizează utilizatorul împotriva unei „tensiuni periculoase” neizolate în carcasa dispozitivului, care poate atinge dimensiunea pericolului de electrocutare.



Semnul exclamării într-un triunghi echilateral avertizează utilizatorul că în acest moment sunt prezentate informații importante referitoare la operarea și mentenanța echipamentului în documentația anexată la dispozitiv.

Rugăm să citiți aceste instrucțiuni înainte de a trece la operarea dispozitivului, să vă familiarizați cu funcțiile acestuia și să le folosiți conform destinației. Acest lucru va asigura o operare de lungă durată și fără avarii a dispozitivului, precum și plăcerea de a-l utiliza.

##### Informații importante

- Instrucțiunile de operare și informațiile referitoare la siguranță trebuie păstrate în scopul folosirii lor în viitor.
- Nu permiteți ca pe dispozitiv să picure sau să se verse vreun lichid.
- Nu îl folosiți în locuri umede, cum ar fi de ex. sala de baie.
- Dispozitivul nu poate fi montat în următoarele locuri:
- Expus la lumina directă a soarelui sau în apropierea caloriferelor.
- Plasat deasupra unui alt dispozitiv stereofonic care emite căldură.
- Blocând ventilația sau într-un loc prăfuit.
- În locuri expuse la vibrații constante.
- În locuri cu umiditate ridicată.
- Nu așezați dispozitivul în apropierea lumânărilor sau a focului deschis.
- Dispozitivul poate fi folosit exclusiv în modul descris în instrucțiunile de mai jos.
- Înainte de prima pornire, asigurați-vă că sursa de alimentare este conectată în mod corespunzător.
- Stick-urile USB se conectează direct sau folosind un prelungitor USB cu lungime de până la 25 cm.

Din motive de securitate, nu demontați carcasa și nu încercați să accesați interiorul dispozitivului. Dispozitivul trebuie reparat de personalul calificat din service. Nu demontați și nu deschideți carcasa, deoarece în interior nu există elemente ce ar putea fi reparate de utilizator. De mentenanța și repararea echipamentului se ocupă exclusiv angajații calificați ai service-ului.

**INSTRUCȚIUNI REFERITOARE LA SIGURANȚĂ**

1. Citiți instrucțiunile – înainte de utilizarea dispozitivului, citiți în întregime instrucțiunile de utilizare, precum și informațiile referitoare la siguranță.
2. Urmați instrucțiunile – păstrați instrucțiunile de utilizare și operare în scopul folosirii lor în viitor.
3. Respectați avertismentele – procedați conform tuturor avertismentelor plasate pe dispozitiv, precum și conform instrucțiunilor de utilizare.
4. Urmați instrucțiunile – procedați conform instrucțiunilor de operare și indicațiilor pentru utilizator.
5. Instalare – setați dispozitivul conform instrucțiunilor producătorului.
6. Surse de alimentare – dispozitivul trebuie alimentat exclusiv de la surse cu parametrii indicați în marcajele de pe cablul de alimentare. Dacă utilizatorul nu este sigur de tipul de alimentare de care dispune acasă, trebuie să contacteze vânzătorul dispozitivului sau furnizorul local de energie electrică.
7. Împământarea sau polarizarea alimentării – dispozitivul nu trebuie să fie împământat. Trebuie să vă asigurați că ștecherul este introdus complet în priză sau în prelungitor pentru a nu permite expunerea bolțurilor sau a contactelor. Unele versiuni ale dispozitivului pot fi echipate cu ștecher polarizat de curent alternativ (cu un singur bolț mai larg). Acest ștecher poate fi introdus în priza de rețea doar într-un singur mod. Aceasta este o funcție de protecție. Dacă ștecherul nu poate fi introdus în priză, trebuie încercată rotirea acestuia. Dacă ștecherul în continuare nu se potrivește la priză, trebuie solicitată înlocuirea acestui ștecher de către un electrician. Nu scoateți elementele de protecție din ștecherul polarizat. Când utilizați un prelungitor sau un cablu de alimentare altul decât cel furnizat împreună cu dispozitivul, acestea trebuie să aibă ștecherule corespunzătoare, precum și atestatul de securitate necesar în țara dată.
8. Protecția cablului de alimentare – cablurile de alimentare trebuie plasate astfel încât să nu poată fi călcate, presate sau tăiate de obiectele din jur. Acordați o atenție deosebită ștecherelor, prizelor de rețea și locurilor în care cablurile sunt direcționate de la dispozitiv.
9. Supraîncărcare – Nu supraîncărcați prizele de perete, prelungitoarele și repartitoarele electrice, deoarece acest lucru poate provoca incendii sau electrocutări.
10. Ventilație – dispozitivul trebuie să fie corect ventilat. Dispozitivul nu poate fi pus pe pat, sofa sau suprafețe similare. Nu acoperiți dispozitivul cu fețe de masă, șervețele, ziare, ș.a..
11. Căldură – nu plasați dispozitivul în apropierea unor surse de căldură, precum calorifere, radiatoare, sobe sau alte dispozitive (de asemenea amplificatoare) care generează căldură. Nu puneți pe dispozitiv lumânări aprinse și alte surse de foc deschis.
12. Apă și umezeală – pentru a reduce riscul de incendiu sau electrocutare, nu expuneți dispozitivul la ploaie, apă și umiditate directă, ca de ex. în saună sau baie. Nu folosiți dispozitivul în apropierea apei, de exemplu lângă cadă, lavoar, chiuveta de bucătărie, într-o pivniță umedă sau în apropierea unei piscine (sau în locuri similare).
13. Obiecte și lichide în dispozitiv – nu trebuie forțate niciun fel de obiecte prin deschiderile dispozitivului, deoarece acestea pot să intre în contact cu punctele de tensiune periculoasă și cu componentele, ceea ce poate provoca incendiu sau electrocutare. În niciun caz nu vărsați niciun fel de lichide pe suprafața dispozitivului. Nu puneți pe suprafața dispozitivului obiecte ce conțin lichide.
14. Curățarea – scoateți întotdeauna dispozitivul din priză înainte de curățare. Praful din jurul difuzorului poate fi îndepărtat cu o cârpă uscată. Dacă se utilizează un aerosol pentru curățare, nu îndreptați jetul de pulverizare direct spre dispozitiv, ci spre cârpă. Aveți grijă să nu deteriorați unitățile de comandă.
15. Echipare suplimentară – nu folosiți accesorii care nu sunt aprobate de producător, deoarece pot constitui un pericol.
16. Accesorii – nu așezați dispozitivul pe un cărucior, postament, stativ, suport sau masă instabile. Dispozitivul se poate răsturna sau deteriora și poate provoca vătămări grave copiilor sau persoanelor adulte. Folosiți numai cărucioare, postamente, stativ, suporturi și mese specificate de producător sau vândute împreună cu dispozitivul. Montarea dispozitivului trebuie efectuată în conformitate cu instrucțiunile producătorului, folosind setul de montaj recomandat de producător.

17. Mutarea dispozitivului – dispozitivul plasat pe cărucior trebuie deplasat cu multă grijă. Oprirea bruscă, forța prea mare sau suprafețele neuniforme pot provoca răsturnarea căruciorului împreună cu dispozitivul.
18. Perioada de nefolosire a dispozitivului – cablul de alimentare al dispozitivului trebuie deconectat de la priza de rețea în timpul furtunilor cu descărcări atmosferice sau când dispozitivul nu va fi folosit pentru o perioadă mai lungă de timp.
19. Servisare – nu încercați să servișați singur dispozitivul. Deschiderea capacului poate duce la contactul cu o tensiune periculoasă și poate expune utilizatorul la alte pericole. De mentenanța și repararea echipamentului se ocupă exclusiv angajații calificați ai service-ului.
20. Când dispozitivul nu este utilizat, ștecherul de alimentare trebuie deconectat de la priza de rețea. Când dispozitivul este conectat la sursa de alimentare, se află în regim de stand by și nu este complet închis.
21. Piese de schimb – la înlocuirea pieselor, trebuie verificat dacă angajatul service-ului a folosit piesele de schimb recomandate de producător sau dacă aceste piese sunt identice cu cele originale. Înlocuirea cu piese neaprobate poate duce la incendii, electrocutare sau alte pericole.
22. Siguranțele principale – pentru a proteja în mod continuu dispozitivul împotriva incendiului, trebuie folosite siguranțe de tip și parametri corecți. Parametrii siguranțelor în acest interval sunt marcați pe dispozitiv.
23. Nu măriți volumul când ascultați o parte dintr-un cântec înregistrat cu volum redus sau în cazul lipsei semnalului audio de început. În caz contrar se poate ajunge la deteriorarea difuzorului în momentul creșterii rapide a intensității semnalului.
24. Singurul mod de a deconecta complet dispozitivul de la sursa de alimentare este deconectarea cablului de alimentare din priza de alimentare sau din dispozitiv. Priza de rețea sau intrarea cablului de alimentare în dispozitiv trebuie să fie mereu accesibile în timpul utilizării produsului.
25. Dispozitivul trebuie amplasat în apropierea unei prize de perete sau a unui cablu prelungitor și astfel încât să fie mereu accesibil.
26. Temperatura maximă ambiantă pentru dispozitiv este de 35°C.
27. Instrucțiuni referitoare la descărcările electrostatice – dacă funcționarea dispozitivului este perturbată de descărcări electrostatice, acesta trebuie oprit și repornit sau mutat în alt loc.
28. Bateria
  - a. Bateriile nu pot fi expuse la căldură excesivă, cum ar fi razele de soare, foc, ș.a.
  - b. Când aruncați bateriile, acordați atenție aspectelor legate de protecția mediului.
  - c. Avertisment referitor la folosirea bateriei: pentru a nu permite pierderea etanșeității bateriei, ceea ce poate provoca vătămări corporale sau deteriorare a dispozitivului:
    - În timpul introducerii bateriei, respectați polaritatea acesteia (+ și -).
    - Nu folosiți în același timp baterii diferite — vechi și noi, baterii standard și alcaline, ș.a.
    - Scoateți bateriile din dispozitiv, atunci când acesta nu este folosit pentru o perioadă mai lungă.

## ATENȚIE

Dispozitivul nu trebuie folosit de persoanele (inclusiv copiii) cu capacități fizice, senzoriale sau mentale reduse, precum și de persoanele cu cunoștințe și experiență insuficiente, în cazul în care nu se află sub supravegherea unei persoane responsabile pentru siguranța lor și nu au fost instruite cum să folosească dispozitivul în condiții de siguranță. Prezența persoanelor adulte este necesară, dacă dispozitivul este folosit de copii; aceasta va permite o folosire în condiții de siguranță a dispozitivului.

1. Nu lăsați dispozitivul nesupravegheat în timpul funcționării! Dispozitivul trebuie închis când nu este folosit, chiar și pentru o perioadă scurtă de timp.
2. Dispozitivul nu poate fi folosit prin intermediul unui temporizator extern și nici cu ajutorul unui sistem separat cu comandă de la distanță.
3. Pentru evitarea pericolului în cazul deteriorării cablului de alimentare, înlocuirea trebuie efectuată de producător, de punctul autorizat de service sau de o altă persoană calificată în acest sens.



4. Înainte de a începe deservirea dispozitivului, trebuie verificat dacă tensiunea acestuia corespunde tensiunii din rețeaua locală de alimentare.
5. Nu acoperiți orificiile de ventilație ale dispozitivului cu ziare, fețe de masă, draperii, ș.a. Trebuie să vă asigurați că deasupra dispozitivului există cel puțin 20 cm de spațiu liber, iar pe fiecare parte a acestuia – cel puțin 5 cm.
6. Nu permiteți ca pe dispozitiv să picure sau să se verse vreun lichid, nu plasați pe acesta obiecte pline cu lichid, cum ar fi vasele.
7. Pentru a evita incendiile sau electrocutarea, dispozitivul trebuie protejat împotriva locurilor fierbinți, ploii, umezelii și prafului.
8. Nu așezați dispozitivul în apropierea oricărei surse de apă, de ex. robinete, căzi, mașini de spălat sau piscine. Dispozitivul trebuie plasat pe o suprafață dreaptă și stabilă.
9. Nu expuneți dispozitivul la câmpuri magnetice puternice.
10. Nu așezați dispozitivul direct pe amplificator sau amplituner.
11. Nu așezați dispozitivul într-un loc umed, deoarece umiditatea are efect dăunător asupra componentelor electrice.
12. După mutarea dispozitivului dintr-un loc rece către un loc cald sau un loc umed, se poate forma condens pe lentila din interiorul playerului. În această situație dispozitivul nu va funcționa corect. Lăsați dispozitivul să funcționeze aproximativ o oră pentru a permite evaporarea umidității.
13. Nu curățați dispozitivul cu solvenți chimici, deoarece aceștia pot distruge lacul carcasei. Dispozitivul se curăță cu o cârpă curată, uscată sau ușor umezită.
14. Când scoateți ștecherul din priză, trageți întotdeauna de ștecher, niciodată de cablul de alimentare.
15. Când dispozitivul pornit este folosit în apropierea televizorului care funcționează, acesta poate fi o sursă de interferență în imagine, sub forma de linii pe ecran. Aceasta depinde de benzile de unde ale transmisiei tv. Aceasta nu înseamnă o funcționare defectuoasă a dispozitivului sau televizorului. Dacă astfel de linii sunt vizibile, dispozitivul trebuie îndepărtat de televizor.
16. Ștecherul de rețea este folosit pentru deconectarea de la tensiunea de alimentare și trebuie să fie mereu accesibil.
17. Pentru a menține capul laserului de citire CD-uri în stare de curățenie, acesta nu trebuie atins și trebuie întotdeauna închis compartimentul de discuri.
18. În timpul folosirii, discul se rotește cu o viteză mare. NU ESTE VOIE să ridicați sau să mutați dispozitivul în timpul funcționării, deoarece acest lucru poate duce la deteriorarea discului sau a dispozitivului în sine.
19. Înainte de a muta dispozitivul în alt loc sau pe perioada mutării trebuie scos discul și închis compartimentul de discuri. Apoi trebuie oprită alimentarea și deconectat cablul de alimentare. Mutarea dispozitivului cu discul aflat în compartiment poate provoca deteriorarea acestuia.
20. După redarea discului, acesta trebuie plasat în ambalaj. Nu expuneți discurile la acțiunea directă a razelor solare și a sursei de căldură. Nu lăsați discurile în interiorul automobilului parcat în plin soare.
21. Nu atingeți partea fără etichetă a discului. Țineți discul de margine, pentru a nu lăsa amprente. Praful, amprente sau zgârieturile discurilor pot fi m  
otivul unei funcționări incorecte a player-ului. Nu lipiți hârtițe sau benzi autocolante pe disc.
22. Pentru curățarea discului folosiți o cârpă curată, care nu lasă scame. Începeți curățarea printr-o mișcare rectilinie de la mijlocul discului spre margine, folosind în acest scop agenți de curățare general disponibili sau agenți antistatici pentru discurile de vinil.
23. Pentru a preveni eventuala pierdere de auz, nu ascultați muzică la volum ridicat pentru perioade lungi de timp.





**AVERTISMENT: SURSĂ DE RADIAȚIE**

|  |
|--|
| CLASS 1 LASER PRODUCT<br>LUOKAN 1 LASERLAITE<br>KLASS 1 LASERAPPARAT |
|--|

Această etichetă înseamnă că în interiorul dispozitivului se află componente laser. Deschiderea capacului compartimentului de discuri CD și ocolirea dispozitivului de blocare va expune utilizatorul la acțiunea radiațiilor laserului. Nu priviți fasciculul de laser în timpul funcționării dispozitivului.

**ÎNAINTE DE ÎNCEPEREA FUNCȚIONĂRII****Remarci: referitoare la discurile compacte.**

Deoarece discurile murdare, deteriorate sau deformată pot provoca deteriorarea dispozitivului, trebuie acordată atenție următoarelor elemente:

- Discurile compacte care pot fi utilizate. Pot fi utilizate numai discurile indicate mai jos.
- Discuri CD exclusiv cu sunet audio digital.

**ATENȚIE****Declarație**

Prin prezenta Blaupunkt Competence Center 2N-Everpol Sp. z o.o. [SRL] declara că acest dispozitiv este în conformitate cu cerințele și alte dispoziții corespunzătoare ale directivei 2014/53 / UE. Declarația completă de conformitate poate fi obținută pe pagina [www.blaupunkt.com](http://www.blaupunkt.com) în secția produsului.

Entitate responsabilă: 2N-Everpol Sp. Z o.o.

Puławska 403A, 02-801 Varșovia, Polonia

Telefon: +48 22 331 99 59, e-mail: [info@everpol.pl](mailto:info@everpol.pl)



Produsul a fost realizat din materiale și componente de înaltă calitate, ce pot fi reciclate și reutilizate.



Dacă pe dispozitiv se află semnul coșului de gunoi tăiat, aceasta înseamnă că produsul se înscrie în dispozițiile directivei europene 2012/19/EU. Trebuie citite cerințele referitoare la sistemul local de colectare a deșeurilor electrice și electronice. Respectați reglementările locale. Nu aruncați acest produs împreună cu deșeurile menajere obișnuite. Eliminarea corectă a produsului vechi va preveni potențialele consecințe negative pentru mediu și sănătatea umană.



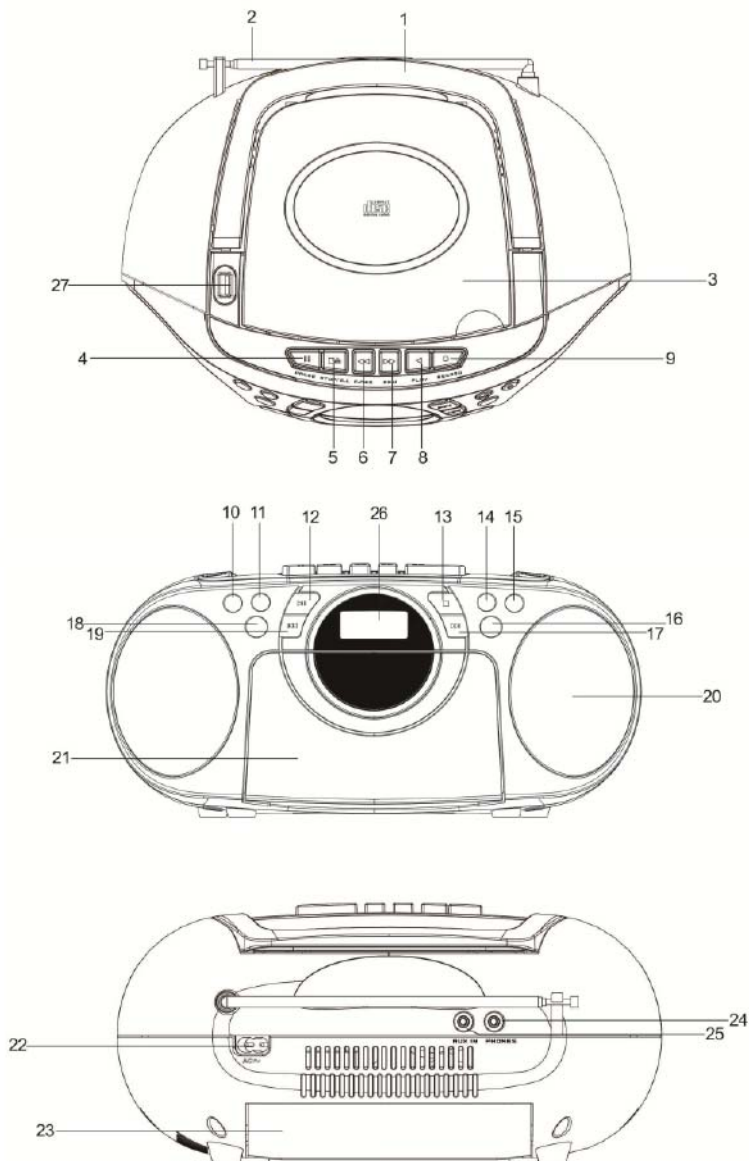
Dispozitivul este echipat cu baterii care fac obiectul directivei europene 2006/66/EC. Bateriile nu pot fi aruncate împreună cu deșeurile menajere. Consultați reglementările locale privind colectarea separată a bateriilor, deoarece eliminarea corectă va împiedica potențialele consecințe negative pentru mediul natural și sănătatea umană.

#### **Informații privind protecția mediului înconjurător**

Ambalajul conține doar elementele necesare. S-au făcut toate eforturile ca cele trei materiale componente ale ambalajului să fie ușor de separat: cutia de carton (cutia), spuma de polistiren (protecție interioară) și polietilena (pungi, folie protectoare). Dispozitivul a fost produs din materiale ce pot fi reciclate și reutilizate după demontarea lor de către o firmă specializată. Trebuie respectate reglementările locale referitoare la eliminarea materialelor de ambalare, bateriilor folosite și a echipamentelor inutile.

Înregistrarea și redarea materialelor poate necesita obținerea unei autorizații. Consultați legea referitoare la drepturile de autor și drepturile executanților / artiștilor.

## AMPLASAREA ELEMENTELOR DE COMANDĂ



### Elemente de comandă

1. Mâner;
2. Antena FM;
3. Capac CD;
4. Tasta Pauză;
5. Tasta Stop / Eject;
6. Tasta derulare înainte;
7. Tasta derulare înapoi;
8. Tasta redare;
9. Tasta înregistrare;
10. Tasta 10 / Fold / M.-;
11. Tasta 10 / Fold / M. +;
12. Tasta redare / pauză;
13. Tasta Stop;
14. Tasta micșorare volum;
15. Tasta mărire volum;
16. Tasta modului volum / funcție;
17. Tasta Următorul / Tune +;
18. Tasta modului de programare / memorare / mod de redare;
19. Tasta Anterior / Tune -;
20. Difuzor;
21. Compartiment pentru casetă;
22. Priza AC;
23. Compartiment pentru baterii;
24. mufă pentru căști;
25. Mufă AUX;
26. Display LCD;
27. Port USB;

### SURSA DE ALIMENTARE

Aparatul poate fi alimentat de la rețeaua de alimentare cu curent electric sau cu ajutorul bateriilor.

#### Alimentare de la rețeaua electrică

Conectați una dintre fișe ale cablului la priza de pe aparat, iar cea de a doua la priza de perete. Bateriile vor fi automat deconectate.

#### Alimentare cu ajutorul bateriilor

Deschideți capacul compartimentului pentru baterii. Introduceți 6 baterii de tip UM-1/D (nu sunt incluse în set) în compartiment. Respectați indicațiile cu privire la polarizare.

### AVERTISMENT

Dacă aparatul nu va fi folosit o perioadă mai lungă de timp trebuie să scoateți bateriile din compartiment. Bateriile conțin substanțe chimice, de aceea acestea trebuie reciclate în mod corespunzător.

### FUNCȚII DE BAZĂ

Pornirea aparatului

După conectarea alimentării apăsați pe tasta mod de așteptare/ funcție, pentru a porni aparatul, apoi apăsați pe tasta mod de așteptare/ funcție, pentru a selecta modul CD / USB / AUX / TAPE sau RADIO. Apăsarea mai lungă pe tasta mod de așteptare/ funcție oprește aparatul. ATENȚIE: În modul CD / USB / AUX / TAPE, în cazul în care aparatul nu redă o perioadă de 60 de minute, aparatul va trece automat în modul de așteptare. În modul de redare a casetelor aparatul va trece automat în modul de așteptare, atunci când caseta nu va fi redată timp de 60 de minute. Pentru a porni din nou aparatul, apăsați pe tasta mod de așteptare/ funcție sau conectați din nou aparatul.

**Indicații cu privire la descărcările electrostatice** - dacă funcționarea dispozitivului este întreruptă din cauza unor descărcări electrostatice, acesta trebuie oprit și apoi repornit.

### Reglarea volumului

Apăsăți pe tasta VOL. +/-, pentru a mări sau a micșora volumul.

### Mufă pentru căști

Pentru a asculta discret, conectați căștile cu fișa de 3,5 mm (nu este inclusă) la mufa pentru căști. Ieșirea difuzorului va fi dezactivată automat.

Avertizare: Utilizarea prea lungă a căștilor la volum mare poate afecta auzul.

### Utilizarea aparatului radio FM

Înainte de a începe ascultarea radioului trebuie să scoateți antena FM și să amplasați aparatul în apropierea ferestrei, pentru a obține o mai bună recepție a semnalului; apăsați pe tasta mod de așteptare/ funcție, pentru a trece la modul de radio FM.

- 1. Căutarea și scanarea postului FM:** apăsați scurt tasta Tune +/- pentru a mări sau micșora frecvența FM cu 0,05 MHz. Apăsăți mai lung tasta Tune +/- 2 secunde, pentru a scana și reda automat posturile disponibile, în partea de sus sau de jos a benzii; apăsați mai lung pentru a scana următorul post.
- 2. Memorarea manuală a posturilor radio:** După selectarea postului radio preferat cu ajutorul tastei Tune +/-, apăsați tasta programare/memorare/mod de redare, pentru a începe programarea; apăsați tasta 10 / fold / M.- sau 10 / fold / M.+, pentru a selecta numărul sub care doriți să programați postul respectiv (numărul maxim de posturi care pot fi programate - 40), apăsați din nou tasta programare/memorare/mod de redare, pentru a confirma alegerea; postul va fi memorat sub numărul ales.
- 3. Programarea automată a posturilor radio** (scanarea și programarea a unui număr de până la 40 de posturi): Apăsăți scurt tasta de redare / pauză pentru a activa modul de scanare automată și memorarea posturilor radio disponibile; apăsați scurt tasta 10 / fold / M.- sau 10 / fold / M.+, pentru a selecta postul programat.

### UTILIZAREA MAGNETOFONULUI

#### Redarea muzicii de pe casetă

Înainte de a introduce caseta în aparat trebuie să întindeți banda din casetă. Introduceți un creion sau un pix într-unul din orificiile casetei și rotiți-l astfel încât banda casetei să fie întinsă. Apăsăți tasta de oprire/deschidere, pentru a deschide compartimentul pentru casetă. Introduceți caseta în compartiment (partea cu banda vizibilă în sus și rola plină spre stânga), apăsați-o și închideți compartimentul. Nu atingeți banda. Comutați comutatorul benzii în poziția TAPE și apăsați tasta de redare a casetei. Pentru a opri redarea apăsați tasta de oprire/deschidere a compartimentului. Pentru a scoate caseta apăsați din nou tasta de oprire/deschidere a compartimentului.

#### AUTO STOP

În momentul în care banda a fost redată până la sfârșit în timpul redării sau înregistrării, sistemul automat de oprire eliberează tasta de redare sau înregistrare. Sistemul de oprire automată va cauza că, în timpul înregistrării de pe radioul incorporat sau de pe aparatul de redare incorporat CD, funcția auto stop va opri modul de înregistrare atunci când banda va ajunge la sfârșit iar radioul sau aparatul de redare CD va funcționa în continuare.

#### Înregistrare de la radio

1. Introduceți o casetă neînregistrată și închideți compartimentul.
2. Apăsăți tasta modulului de așteptare/ funcție, pentru a selecta modul FM.
3. Selectați postul prin apăsarea tastei următorul / TUN. + sau precedent / TUN.-.
4. Apăsăți tasta de înregistrare, pentru a începe înregistrarea. Tasta de înregistrare și redare se vor apăsa concomitent.
5. Apăsăți tasta stop / eject pentru a finaliza înregistrarea.
6. Pentru a verifica ce s-a înregistrat procedați în conformitate cu instrucțiunile de redare a casetei.



**Notă:** Oprirea pentru scurt timp a înregistrării – apăsați tasta pauză a aparatului de redare a casetei în locul tastei stop/eject pentru a opri pentru scurt timp înregistrarea. Apăsați din nou tasta pauză pentru a relua înregistrarea.

### Înregistrare de pe CD / USB / AUX

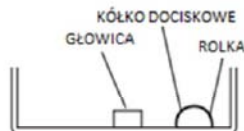
1. Introduceți o casetă neînregistrată și închideți compartimentul.
2. Apăsați tasta modului de așteptare/ funcție, pentru a selecta modul CD, USB sau AUX.
3. Introduceți discul CD sau dispozitivul USB sau conectați dispozitivul audio extern la mufa AUX, și apoi selectați melodia pe care doriți să o înregistrați.
4. Apăsați tasta redare / pauză, pentru a activa redarea. Apăsați tasta de înregistrare, pentru a activa înregistrarea. Tastele de înregistrare și redare se vor apăsa concomitent.
5. Apăsați pe tasta pauză, pentru a opri sau edita înregistrarea. Apăsați-o din nou pentru a relua înregistrarea.
6. Apăsați tasta stop / eject pentru a opri înregistrarea.
7. Pentru a verifica ce s-a înregistrat procedați în conformitate cu instrucțiunile de redare a casetei.

### Tipul de casete

Folosiți numai casete de foarte bună calitate (IEC TYPE 1) pentru înregistrare. Nu se recomandă folosirea casetelor de tip C120, în acest aparat.

### Întreținerea mecanismului magnetofonului

O dată la 10 ore de funcționare trebuie curățate capul și roțița de presare/rola.



Capul de redare și suprafața rolei de presare sunt foarte delicate și nu trebuie atinse cu obiecte din metal, cum ar fi de ex. Șurubelnița. Componentele magnetofonului pot fi mai ușor curățate prin apăsarea tastei de redare pentru a scoate capul și rola de presiune. După curățarea mecanismului, apăsați tasta de oprire. Când alimentarea e presare ste iar tasta de redare este pornită, rola de presiune poate fi deteriorată. Sub nici o formă nu lubrifiați elementele dispozitivului.

### UTILIZAREA CD/MP3

Discurile care pot fi redare

Dispozitivul permite redarea tuturor discurilor audio CD, discurilor digitale finalizate MP3, WMA CD-R, discurilor audio digitale finalizate CD-R și a discurilor CD/CD-R/CD-RW în format CD-DA.

### Introducerea discurilor

1. Apăsați tasta modului de așteptare/ funcție, pentru a selecta modul CD.
2. Deschideți compartimentul pentru discurile CD. Pe display va fi afișat mesajul „OPEN”.
3. Introduceți discul în compartiment (cu eticheta în sus).
4. Închideți capacul compartimentului pentru discuri. Numărul total de melodii este afișat pe ecran imediat după terminarea citirii.
5. Pentru a scoate discul CD, apăsați tasta stop și deschideți capacul, prindeți discul de margine și scoateți-l.

### Notă:

1. Pentru a asigura funcționarea corectă a dispozitivului, așteptați până în momentul finalizării citirii discului de către aparatul de redare.
2. Atunci când în aparatul de redare nu există disc sau discul este introdus invers (cu eticheta în jos) va fi redat mesajul „NO CD”.

### Redarea discului

După introducerea discului va fi redată automat melodia nr. 1.

Pentru a opri redarea apăsați tasta de redare / pauză. Indicatorul de redare va clipi și pe display va apărea numărul melodiei curente.

Pentru a relua redarea, apăsați din nou tasta redare/pauză.

Pentru a opri redarea apăsați tasta Stop, pe display va fi afișat numărul total de melodii.

### Selectarea melodiei/locului

#### Pentru a selecta melodia

Apăsați pe rând tasta următoare/TUN. + sau precedentă /TUN-. până la momentul afișării numărului melodiei.

#### Pentru a găsi momentul căutat al melodiei în timpul redării (derularea melodiei cu viteză mare)

Apăsați mai lung tasta următoare /TUN. + sau precedentă /TUN-, pentru a realiza derularea melodiei cu viteză mare până la locul dorit, apoi eliberați tasta. Redarea va începe în acest loc.

#### Pentru a selecta melodia a cărei număr este mai mare de 10 (numai discurile MP3)

Pentru a selecta melodia/calea, a cărei număr este mai mare de 10, apăsați tasta 10/fold/M – sau 10/fold/M +, pentru a sări peste 10 melodii înainte/înapoi și apoi apăsați tasta următoare /TUN + sau precedentă/TUN -, pentru a selecta melodia. De ex. Pentru a selecta melodia nr 17, apăsați tasta 10/fold/M.+ și apoi de șase ori tasta următoare /TUN.+

#### Pentru a selecta fișierul (numai atunci când pe discul MP3 se află mai multe fișiere)

Pentru a sări peste un fișier în timpul redării, apăsați mai lung tasta 10/fold/M- sau 10/fold/M+, timp de 2 secunde, pentru a trece la următorul/precedentul fișier.

### Programarea coloanelor sonore

Programarea coloanelor sonore este posibilă numai în modul de oprire. În memoria aparatului de redare puteți programa până la 20 de melodii CD/99 căi MP3.

1. În modul de oprire, apăsați tasta programare/memorie/modul de redare; simbolul „PROG” începe să clipească și se va aprinde indicatorul „P01”.
2. Apăsați tasta următoare /TUN. + sau precedentă /TUN-, pentru a selecta prima melodie pentru memorare.
3. Apăsați tasta programare / memorie / modul de redare, pentru a o confirma. Pe display va apărea indicatorul „P02”.
4. Repetați pașii 2 și 3 pentru a memora alte melodii până la momentul programării tuturor melodiilor.
5. Apăsați tasta redare / pauză, pentru a porni redarea primei melodii programate.
6. Apăsați tasta stop, pentru a opri redarea programată.

#### Pentru a șterge memorarea (programul de redare)

Programul poate fi șters în două moduri:

1. Apăsați tasta stop la oprirea redării, sau
2. Deschideți compartimentul pentru disc – programul va fi șters.

### Funcția de repetare (REPEAT)

Pentru a repeta redarea unei melodii

1. Apăsați tasta programare / memorie / modul de redare, în modul de redare; pe display va fi afișat simbolul „R”, care va începe să clipească. Melodia va fi redată de mai multe ori la rând până la momentul apăsării tastei stop.
2. Pentru a anula funcția de repetare apăsați tasta programare / memorie / modul de redare, până la momentul în care simbolul „R” va dispărea de pe displayul LCD.

**Pentru a repeta redarea tuturor melodiilor**

1. Apăsăți tasta programare / memorie / modul de redare, în modul de redare; pe display va fi afișat simbolul „ ”; toate melodiile de pe disc vor fi repetate până la momentul apăsării tastei stop.
2. Pentru a anula funcția de repetare apăsați tasta programare / memorie / modul de redare, până la momentul în care simbolul „ ” va dispărea de pe displayul LCD.

**Pentru a repeta fișierul curent (numai MP3)**

1. Apăsăți tasta programare / memorie / modul de redare, în modul de redare până la momentul în care va fi afișat simbolul „ FOLDER” pe display; fișierul curent va fi repetat până la momentul apăsării tastei stop.
2. Pentru a anula funcția de repetare apăsați tasta programare / memorie / modul de redare, până la momentul în care simbolul „ FOLDER” va dispărea de pe displayul LCD.

**Redarea la întâmplare**

Apăsăți tasta programare / memorie / modul de redare, în modul de redare până la momentul în care va fi afișat simbolul „ RDM” pe display; redarea la întâmplare va începe automat de la următoarea melodie până la momentul redării tuturor melodiilor apoi va fi oprită. Apăsăți o dată tasta programare / memorie / modul de redare, pentru anulare.

**Pre-redare (Intro)**

Apăsăți tasta programare / memorie / modul de redare, în modul de redare până la momentul în care va fi afișat simbolul „ INTRO” pe display, va începe redarea și scanarea automată a fragmentelor timp de 10 secunde. Pentru a anula funcția de repetare, apăsați tasta programare / memorie / modul de redare, până la momentul în care simbolul „ INTRO” va dispărea de pe display.

**Utilizarea USB**

1. Apăsăți tasta modul de așteptare/funcție, pentru a selecta modul USB.
2. Conectați memoria USB la portul USB. Pe displayul LCD va fi afișat numărul total de melodii și fișiere înregistrate pe memoria USB. După citirea memoriei USB va începe redarea automată.
3. Apăsăți tasta stop, pentru a opri redarea. Pe display va fi afișat numărul total de melodii de pe USB.
4. Funcțiile de redare cu repetare (repetarea primei melodii, a fișierului și a tuturor melodiilor) sunt descrise în capitolul „UTILIZAREA CD/MP3”.

**Notă:**

1. Nu folosiți cablul prelungitor USB pentru conectarea memoriei USB, deoarece acest lucru poate cauza interferențe.
2. Portul USB poate fi folosit numai pentru redarea muzicii. Nu deservește funcția de încărcare pentru dispozitive externe.
3. Dimensiunea maximă care poate fi acceptată este de până la 32 GB. USB este destinat numai pentru redarea muzicii. Majoritatea fișierelor MP3 sunt acceptate, iar alte formate de muzică nu pot fi redade.
4. Redarea de pe smartphoone cu ajutorul cablului USB și a dispozitivelor USB criptate poate să nu fie acceptată de acest aparat.

**Utilizarea slotului AUX**

În aparat este încorporată mufa AUX 3,5 mm pentru conectarea aparatului de redare MP3 și a altor surse pentru intensificarea semnalului audio.

1. Apăsăți tasta modul de așteptare/funcție, pentru a selecta modul AUX.
2. Conectați cablul audio (nu este inclus) la mufa AUX IN, iar celălalt capăt conectați-l la mufa AUDIO OUT a sursei externe de sunet. Aparatul va trece automat în modul AUX.
3. Setăți volumul dorit pentru acest aparat.
4. Apăsăți tasta de redare de pe o sursă externă a semnalului audio (de ex. aparatul de redare MP3), pentru a începe redarea.

**Specificație**

Alimentare: AC100-240V ~ 60 / 50Hz  
DC 9V UM-1 x 6 buc. (bateriile nu sunt incluse în set)  
Greutate aprox. 1.46 kg  
Dimensiuni aprox. 285 mm (W) x 213 mm (D) x 140 mm (H)  
Temperatura de funcționare + 5 o C - +45 o C  
Banda FM 87,5-108 MHz  
Capacitatea maximă a memoriilor USB - 32 GB  
Laser 3 - fascicule  
Frecvența de răsuns 100 Hz - 16KHz  
Sistem de înregistrare 2 canale (stereo)  
Bias System DC Bias  
Frecvența de răspuns 125 - 6,3 KHz  
Wow and flutter 0.35% WRMS (JIS)  
Putere de ieșire 1,5 W x 2  
Consum de energie 13 Wați  
Consum de energie în modul de așteptare <0.5W  
(prezenta specificație poate fi modificată fără notificare prealabilă)

## ВАЖНИ ИНСТРУКЦИИ ЗА БЕЗОПАСНОСТ



### ОПАСНОСТ ОТ ТОКОВ



УДАР  
НЕ ОТВАРЯЙ

#### Важни инструкции за безопасност

##### Внимание:

За да се намали рискът от токов удар, не се разрешава демантиране на капака, дори и на задната част на устройството. В самото устройство няма елементи, предназначени за самостоятелно ремонтване от потребителите. С обслужване и ремонтване на оборудването се занимават единствено квалифицирани служители на сервиза.

#### Обяснение на графичните символи:



Светкавица, завършваща със стрелка, в равностранен триъгълник предупреждава потребителя за неизолотирано „опасно“ напрежение около устройството, което напрежение може да има размери, заплашващи с токов удар.



Удивителният знак в равностранен триъгълник предупреждава потребителя, че в този момент в документацията, прикачена към устройството, се предоставя важна информация за обслужването и запазването на оборудването.

Моля, прочетете тази инструкция, преди да пристъпите към обслужване на устройството, за да се запознаете с неговите функции и да го използвате съгласно неговото предназначение. Това ще Ви осигури дълготрайно, безаварийно обслужване на устройството и удоволствие от използването му.

#### Важна информация

- Запазете инструкцията за ползване, както и информацията за безопасност, с цел използване в бъдеще.
- Да не се допуска прокапване или протичане на течност върху устройството.
- Също да не се използва на влажни места като например в баня.
- Да не се инсталира това устройство на следните места:
- Изложени на непосредствено действие на слънчеви лъчи или близо до радиатори.
- Да не се поставя на повърхността на друго стереофонично оборудване, което отделя топлина.
- Ако ще блокира вентилация или в прашно помещение.
- На места, изложени на постоянна вибрация.
- На места с висока влажност.
- Да не се поставя устройството близо до свещи или открит огън.
- Устройството може да се използва единствено по начина, описан в настоящата инструкция.
- Преди първото включване на захранването трябва да се уверите, че зарядното устройство е включено правилно.
- USB паметта се свързва непосредствено или с помощта на USB кабел с дължина до 25 см.

От съображения за сигурност да не се демонтират конструкциите, както и да не се осигурява достъп до вътрешността на устройството. Забранено е отвъртането на устройството, както и отварянето на неговата конструкция, тъй като вътре няма части, които биха могли да бъдат поправени от потребителя. С обслужването и поправката на оборудването се занимават единствено квалифицирани служители на сервиза.





**ИНСТРУКЦИИ ЗА БЕЗОПАСНОСТ**

1. Прочетете инструкцията – преди употреба прочетете цялата инструкция за обслужване, както и информацията за безопасност.
2. Запазете инструкцията – запазете инструкцията за употреба и обслужване с цел по-нататъшно използване.
3. Спазвайте предупрежденията – постъпвайте съгласно с всички предупреждения, поместени на устройството и съгласно с инструкцията за употреба.
4. Спазвайте инструкциите – постъпвайте съгласно инструкцията за употреба и насоките за потребителя.
5. Инсталация - настройвайте устройството в съответствие с инструкциите на производителя.
6. Източници на захранване - захранвайте устройството само от източници с параметри, посочени на захранващия кабел. Ако не сте сигурни каква енергия имате въкъщи, трябва да се свържете с продавача на устройството или местния доставчик на електрическа енергия.
7. Заземяване или поляризация на захранването – устройството не трябва да бъде заземявано. Уверете се, че щепселът е изцяло пъхнат в електрическата мрежа или удължителния кабел, за да не се откриват щифтовете или контактите. Някои версии на устройството могат да бъдат оборудвани с поляризиран адаптер за променлив ток (с по-широк щифт). Този щепсел може да бъде вкаран в гнездото само по един начин. Това е функция за обезопасяване. Ако не можете да поставите щепсела в гнездото, опитайте да го обърнете. Ако щепселът все още не се побира в гнездото, поискайте от електротехник да го смени. Не изваждайте предпазителите от поляризиран щепсел. Ако използвате удължителен кабел или захранващ кабел, различен от този, предоставени с устройството, той трябва да има съответните щепсели и одобрения за безопасност, изисквани в дадената страна.
8. Обезопасяване на захранващия кабел - Захранващите кабели трябва да бъдат насочвани така, че да не може да се стъпва по тях, да не бъдат притискани или прерязани от поставени върху тях предмети. Обърнете специално внимание на щепселите, контактите и мястото, където кабелите се извеждат от устройството.
9. Претоварване - Не претоварвайте стенните контакти, удължителите и електро-разпределителите, тъй като това може да доведе до пожар или токов удар.
10. Вентилация - устройството трябва да бъде охлаждаемо правилно. Не поставяйте устройството на легло, диван или подобни повърхности. Не покривайте уреда с покривки, салфетки, вестници и др.
11. Топлина - не поставяйте устройството в близост до източници на топлина като радиатори, лъчеви нагреватели, печки или други уреди (включително топлинни генератори), които произвеждат топлина. Не поставяйте запалени свещи или друг открит огън върху устройството.
12. Вода и влага - За да намалите риска от пожар или токов удар, не излагайте устройството на пряк дъжд, вода или влага, например в сауната или в банята. Не използвайте това устройство близо до вода като вана, мивка, кухненска мивка или вана, в мокро помещение или в близост до плувен басейн (или на подобни места).
13. Предмети и течности в устройството - не вкарвайте предмети през отворите на устройството, тъй като могат да влязат в контакт с опасни точки и компоненти на напрежение, което може да доведе до пожар или токов удар. При никакви обстоятелства не трябва да разливате течности по повърхността на устройството. Не поставяйте върху устройството предмети, съдържащи течности.
14. Почистване - Преди почистване винаги изключвайте устройството от контакта. Прахът около високоговорителя може да премахнете с помощта на суха кърпа. Ако за почистването ще използвате аерозол, не насочвайте пръскачката директно към устройството, а към кърпата. Внимавайте да не повредите задвижващите устройства.
15. Допълнително оборудване - Не използвайте аксесоари, които не са одобрени от производителя, тъй като те могат да представляват риск.

16. Аксесоари - Не поставяйте устройството върху нестабилна количка, стойка, статив, конзола или маса. Устройството може да се преобърне и повреди, както и може да причини сериозни наранявания у деца или възрастни. Използвайте само колички, стойки, стативи, конзоли и маси, определени от производителя или продавани заедно с устройството. Сглобете уреда съгласно инструкциите на производителя, като използвате монтажния комплект, препоръчан от производителя.
17. Преместване на устройството - устройството, поставено на количката, трябва да се премества много внимателно. Внезапно спиране, твърде голяма сила или неравна повърхност може да доведе до преобръщане на количката заедно с устройството.
18. Период на неизползване на устройството - Изключете захранващия кабел от контакта по време на гръмотевични бури, или когато не използвате уреда за по-дълъг период от време.
19. Обслужване - не се опитвайте самостоятелно да правите преглед на устройството. Отварянето на капака може да доведе до опасно напрежение и да изложи потребителя на други опасности. С консервация и ремонтване на оборудването се занимават единствено квалифицирани служители на сервиза.
20. Когато устройството не е в употреба, извадете захранващия кабел от контакта. Когато устройството е свързано към източник на захранване, то е в режим на готовност и не е напълно изключено.
21. Резервни части - при подмяна на части се уверете, че техникът е използвал препоръчаните от производителя резервни части или също, че частите са идентични с оригиналните. Подмяната с неодобренни части може да доведе до пожар, токов удар или други опасности.
22. Главни предпазители - за да предпазите устройството за постоянно от пожар, използвайте предпазители от съответния тип и параметри. Параметрите на предпазителя в даден обхват на напрежение са обозначени на устройството.
23. Не увеличавайте силата на звука, когато слушате част от песен с ниска сила на звука или при липсата на входен аудио сигнал. В противен случай при бързото увеличаване на силата на сигнала може да се стигне до повреда на високоговорителя.
24. Единственият начин за напълно изключване на устройството от източника на захранване е да изключите захранващия кабел от контакта или от устройството. Винаги, когато използвате устройството, трябва да има достъпен захранващ контакт или захранващ кабел.
25. Устройството трябва да се постави близо до контакт или удължителен кабел и така, че да е винаги достъпно.
26. Максималната температура на околната среда на устройството е 35 ° C.
27. Инструкции за електростатично разреждане - ако работата на устройството е прекъсната от електростатичен разряд, изключете уреда и повторно включете устройството или го преместете на друго място.
28. Батерия
  - a. Не излагайте батериите на прекомерна топлина като например слънчеви лъчи, огън и др.
  - б. Когато използвате батериите, обърнете внимание на изискванията за опазване на околната среда.
  - в. Предупреждение за използване на батерията: За да не се стигне до изтичане на батерията, което може да доведе до нараняване или повреда на устройството: При поставяне на батерията, обърнете внимание на нейните полюси (+ и -). Не използвайте едновременно различни батерии - стари и нови, стандартни и алкални и др. Извадете батериите от устройството, ако няма да го използвате за по-дълъг период от време.

**ВНИМАНИЕ**

Устройството не трябва да се използва от хора (включително деца) с намалени физически, сензорни или психически способности и лица с недостатъчни познания и опит, освен ако не са под наблюдението на лице, отговорно за тяхната безопасност и не са инструктирани как безопасно да използват устройството. Необходимо е присъствие на възрастни, ако устройството се използва от деца; това ще осигури безопасно използване на устройството.

1. Не оставяйте устройството без надзор! Изключвайте устройството, когато не го използвате, дори и за кратко време.
2. Не включвайте устройството чрез външен часовник, нито чрез отделна система за дистанционно управление.
3. За да избегнете опасност при повреда на захранващия кабел, подмяната трябва да се извърши от производителя, от упълномощен сервизен център или от друго квалифицирано лице.
4. Преди да използвате уреда се уверете, че напрежението му съответства на напрежението на местното захранване.
5. Не покривайте вентилационните изходи, например с вестници, покривки, завеси и др. Уверете се, че над устройството има най-малко 20 см свободно пространство и от всяка страна на уреда - най-малко 5 см.
6. Не допускате да капят или да се разливат течности или не поставяйте предмети, съдържащи течности като например вази.
7. За да избегнете пожар или токов удар, предпазвайте устройството от горещи места, дъжд, влага и прах.
8. Не поставяйте устройството близо до водоизточници като кранове, вани, перални машини или плувни басейни. Поставете устройството на равна и стабилна повърхност.
9. Не излагайте устройството на силни магнитни полета.
10. Не поставяйте устройството директно върху усилвателя или приемника.
11. Не поставяйте устройството на влажно място, тъй като влагата има вреден ефект върху електрическите компоненти.
12. При внасяне на устройството от студено на топло или на влажно място, може да се образува конденз върху обектива вътре в плейъра. В този случай устройството няма да работи правилно. Оставете включения уред в продължение на около един час, за да може влагата да се изпари.
13. Не почиствайте устройството с химически разтворители, тъй като те могат да повредят лаковото покритие на конструкцията. Избършете устройството с чиста, суха или леко влажна кърпа.
14. Когато изваждате щепсела от контакта, винаги издърпвайте щепсела, а не захранващия кабел.
15. Когато устройството е включено в близост до телевизор, то може да е източник на смущения под формата на линии на екрана. Това зависи от дължината на телевизионната вълна. Не означава неизправност на устройството или телевизора. Ако видите такива линии, преместете устройството далеч от телевизора.
16. Захранващият щепсел се използва за изключване на захранващото напрежение и трябва да е винаги на разположение.
17. За да запазите лазерната главица за четене на CD чиста, не я докосвайте и винаги затваряйте гнездото за дискове.
18. По време на възпроизвеждане дискът се върти при висока скорост. НЕ повдигайте и не премествайте устройството, когато е в режим на работа, тъй като това може да повреди диска или самото устройство.
19. Преди да преместите устройството на друго място или по време на преместването, извадете диска и затворете гнездото за дискове. След това изключете захранването и извадете захранващия кабел. Преместването на устройството с диск в гнездото за дискове може да повреди устройството.
20. След използване на диска, го поставете в опаковката. Не излагайте диска на пряка слънчева светлина и топлина. Не оставяйте дисковете в кола, паркирана на слънце. Не докосвайте страната на диска без етикет. Хващайте дисковете за техния край, за да не оставите отпечатъци.
21. Прахът, отпечатъците от пръсти или др аскотините по диска могат да причинят неизправност на плейъра. Не лепете лепенки или самозалеп ващо тиксо по диска. 
22. Почиствайте диска с чиста кърпа, която не оставя влакна. Започвайте с праволинейно движение от средата на диска до неговия край, като за целта използвайте обичайните почистващи препарати или антистатични средства за винилови дискове. 

23. За да предотвратите евентуална загуба на слух, не слушайте силна музика в продължение на дълги периоди от време.



**ВНИМАНИЕ: ИЗТОЧНИК НА РАДИАЦИЯ**

CLASS 1 LASER PRODUCT  
LUOKAN 1 LASERLAITE  
KLASS 1 LASERAPPARAT

Този етикет означава, че вътре в устройството има лазерни компоненти. Отварянето на капака на гнездото за дискове и заобикалянето на защитните блокади ще изложи потребителя на лазерно лъчение. Не гледайте лазерния лъч, докато устройството работи.

**ПРЕДИ ДА ЗАПОЧНЕТЕ РАБОТА**

**Забележки: относно компактни дискове.**

Тъй като мръсните, повредени или деформирани дискове могат да доведат до повреда в устройството, обърнете внимание на следното:

- Компактни дискове, които можете да използвате. Може да използвате само долупосочените компактни дискове.
- Само CD с цифров аудио звук.



**ВНИМАНИЕ**



**Декларация**

С настоящото Blaupunkt Competence Center 2N-Everpol Sp. z o.o. декларира, че това устройство отговаря на изискванията и други приложими разпоредби на Директива 2014/53 / на ЕС. Пълната декларация за съответствие може да бъде намерена на [www.blaupunkt.com](http://www.blaupunkt.com) в раздела за продукти.

Отговорно лице: 2N-Everpol Sp. Z o.o.  
Puławska 403A, 02-801 Warszawa, Polska  
Телефон: +48 22 331 99 59, e-mail: [info@everpol.pl](mailto:info@everpol.pl)



Продуктът е произведен от висококачествени материали и компоненти, които могат да бъдат рециклирани и повторно използвани.



Ако на устройството има знак със задраскано кошче за отпадъци, това означава, че продуктът е обхванат от Европейската директива 2012/19 / ЕС. Запознайте се с изискванията на местната система за събиране на електрически и електронни отпадъци. Следвайте местните разпоредби. Не изхвърляйте този продукт заедно с обикновените битови отпадъци. Правилното изхвърляне на стария продукт ще предотврати потенциални негативни последствия за околната среда и човешкото здраве.



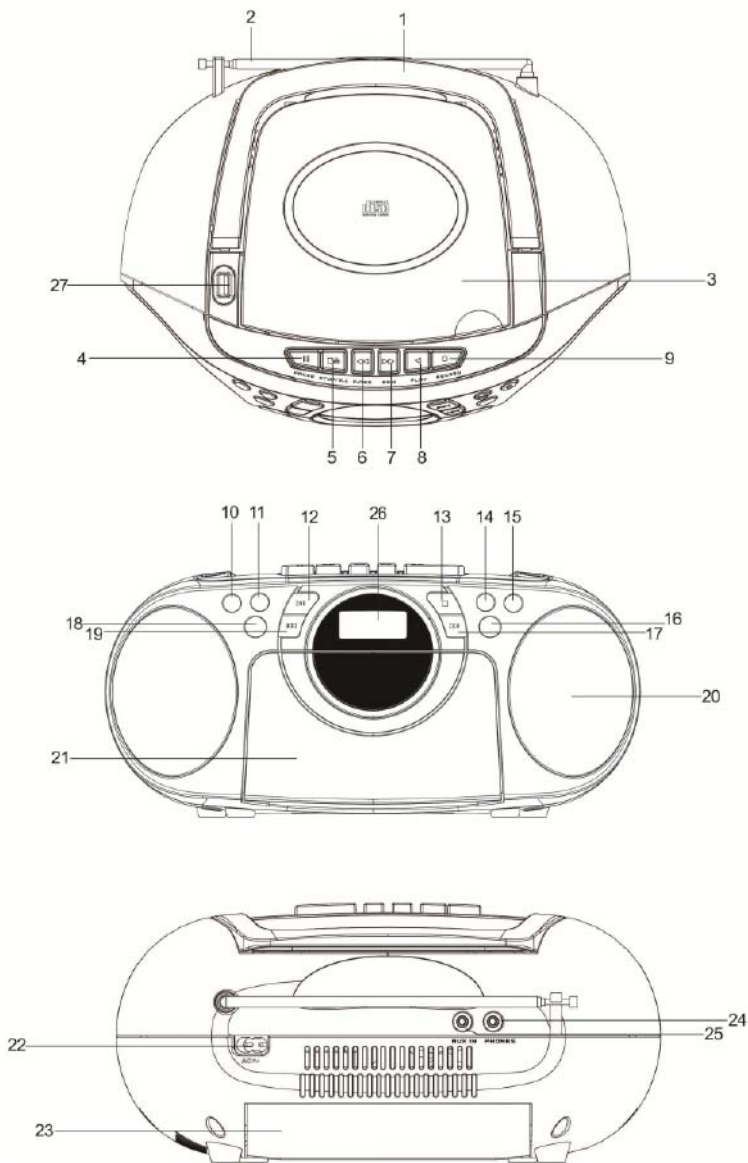
Устройството е оборудвано с батерии, които са част от европейска директива 2006/66/ЕС. Не изхвърляйте батериите заедно с битови отпадъци. Запознайте се с изискванията на местната система за събиране на батерии, тъй като правилната употреба на стария продукт ще предотврати потенциални негативни последици за околната среда и човешкото здраве.

#### **Информация за опазване на околната среда**

Пакетът съдържа само необходимите елементи. Положени са всички усилия, за да се гарантира, че трите компонента на опаковката са лесни за разделяне: картонена кутия, полистиролова пяна (вътрешна защита) и полиетилен (торбички, защитен лист). Устройството е изработено от материали, които могат да бъдат рециклирани и повторно използвани, след като се демонтират от специализирана фирма. Спазвайте местните разпоредби за изхвърляне на опаковъчни материали, отпадъчни батерии и ненужно оборудване. Записването и възпроизвеждането на материали може да изисква съгласие. Вижте Закона за авторските права и правата на изпълнителите/ артистите.



**РАЗПОЛОЖЕНИЕ НА ЕЛЕМЕНТИТЕ ЗА УПРАВЛЕНИЕ**



**BULGARIA**

**Елементи за обслужване**

1. Дръжка;
2. Антена FM;
3. Капак CD;
4. Бутон Пауза;
5. Бутон Стоп / Отвори;
6. Бутон за превъртане напред;
7. Бутон назад;
8. Бутон за възпроизвеждане;
9. Бутон за записване;
10. Бутон 10 / Fold / M.-;
11. Бутон 10 / Fold / M. +;
12. Бутон възпроизвеждане / пауза;
13. Бутон Стоп;
14. Бутон за намаляване на силата на звука;
15. Бутон за увеличаване на силата на звука;
16. Бутон за режим готовност / функции;
17. Бутон Следващо музикално произведение / Tune +;
18. Бутон за режим програмиране / памет / режим възпроизвеждане;
19. Бутон Предишно музикално произведение / Tune -;
20. Високоговорител;
21. Джоб за касетата;
22. Гнездо АС;
23. Гнездо за батерии;
24. Гнездо за слушалки;
25. Гнездо AUX;
26. LCD дисплей;
27. USB порт;

**ИЗТОЧНИК НА ЗАХРАНВАНЕ**

Устройството може да се захранва от електрическата мрежа или от батерии.

**Захранване от електрическата мрежа**

Включете единия конектор на кабела към гнездото на устройството, а втория конектор - към мрежовото гнездо. Батериите автоматично ще бъдат разединени.

**Захранване от батерии**

Отворете капака на гнездото на батериите. Поставете 6 батерии UM-1/D (не са включени в комплекта) в гнездото. Обърнете внимание на правилната поляризация.

**ПРЕДУПРЕЖДЕНИЕ**

Когато устройството няма да се използва през по-дълъг период от време, трябва да извадите батериите. Батериите съдържат химически вещества, поради което трябва да бъдат обезвредени по подходящ начин.

**ОСНОВНИ ФУНКЦИИ**

Включване на устройството

След свързване към захранването натиснете бутона за режим готовност / функции, за да включите устройството, след което натиснете бутона на режим готовност / функции, за да изберете режим CD / USB / AUX / TAPE или RADIO. Продължително натискане на бутона за режим готовност / функции изключва устройството

**ВНИМАНИЕ:** В режим CD / USB / AUX / TAPE, когато устройството стои без възпроизвеждане в продължение на 60 минути, то автоматично ще се превключи в режим готовност. В режим възпроизвеждане на касети устройството автоматично ще се превключи в режим готовност, когато касетата не бъде възпроизвеждана през 60 минути. За да включите отново устройството, натиснете бутона на режим готовност / функции или отново включете устройството.

**Съвети за статично електричество** - Ако действието на устройството е смущавано от електростатични разряди, трябва да го изключите и отново да го включите.

### Регулиране на звука

Натиснете бутон VOL. + / -, за да увеличите или да намалите звука.

### Гнездо за слушалки

За дискретно слушане трябва да включите слушалките с жак 3,5 mm (не са приложени в комплекта) към гнездото за слушалки. Изходът за високоговорители автоматично ще се изключи.

**Предупреждение:** Твърде дълго използване на слушалките при високо ниво на звука може да навреди на слуха.

### Обслужване на радио FM

Преди да започнете да слушате радио, трябва да изтеглите цялата антена FM и да се опитате да поставите устройството близо до прозорец, за да получите по-добър сигнал; натиснете бутона на режим готовност / функции, за да преминете към режим радио FM.

1. Търсене и сканиране на станции FM: натиснете за кратко бутон Tune +/-, за да увеличите или намалите честотата FM с 0,05 MHz. Натиснете и задръжте бутон Tune +/- за 2 секунди, за да сканирате автоматично и да възпроизведете достъпните станции нагоре и надолу по честотната лента; натиснете и задръжте бутона, за да намерите следващата станция.

2. Ръчно запаметяване на радиостанциите: След избирането на любимата радиостанция с бутон Tune +/- натиснете бутона за програмиране / памет / режим възпроизвеждане, за да започнете програмиране; натискайте бутон 10 / fold / M.- или 10 / fold / M. +, за да изберете номера, под който искате да програмирате станцията (максимален брой програмирани станции - 40), натиснете отново бутона за програмиране / памет / режим възпроизвеждане, за да потвърдите избора, станцията ще бъде записана под избрания номер.

3. Автоматично програмиране на радиостанциите (автоматично сканиране и програмиране на до 40 станции): Натиснете за кратко бутона за възпроизвеждане / пауза, за да включите режим за автоматично сканиране и запаметяване на достъпните радиостанции; натиснете за кратко бутон 10 / fold / M.- или 10 / fold / M. +, за да изберете програмираната станция.

### ОБСЛУЖВАНЕ НА КАСЕТОФОНА

Възпроизвеждане на музика от касета

Преди да поставите касетата в устройството, трябва да натегнете лентата в касетата.

Поставете молив или химикал в отвора на касетата и го въртете, за да натегнете лентата. Натиснете бутона за спиране/отваряне, за да отворите джоба на касетата.

Поставете касетата в джоба (частта на касетата с видимата лента трябва да бъде нагоре и пълната ролка на касетата да бъде от лявата страна), натиснете я докрай и затворете джоба. Не бива да докосвате лентата.

Поставете

превключвателя на лентата в положение TAPE и натиснете бутона за възпроизвеждане от касета. За да

спрете възпроизвеждането, трябва да натиснете бутона за спиране/отваряне на джоба на касетата. За да извадите

касета, трябва отново да натиснете бутона за спиране/отваряне на джоба на касетата.

### AUTO STOP

Когато по време на възпроизвеждане или записване лентата свърши, интегрираната система за автоматично спиране ще освободи бутона за възпроизвеждане или записване. Благодарение на системата за автоматично спиране по време на записване от вграденото радио или CD плейър функцията "auto stop" ще спре режима за записване, когато лентата свърши, а радиото или плейърът CD ще продължи да работи.

### Записване от радиото

1. Поставете касета с чиста лента в джоба на касетата и затворете капака.
2. Натиснете бутона на режим готовност / функции, за да изберете режим FM.
3. Изберете желаната радиостанция с натискане на бутон следващо / TUN. + или предишно / TUN-.
4. Натиснете бутона за записване, за да започнете записване. Бутоните за записване и възпроизвеждане ще се натиснат едновременно.
5. Натиснете бутон стоп / отвори, за да завършите записването.
6. За да проверите, какво е записано, следвайте инструкциите за възпроизвеждане от касета.

Забележка: Моментно спиране на записването: за моментно прекъсване на записването използвайте бутон пауза вместо бутон стоп/отвори. Натиснете отново бутон пауза, за да възобновите записването.

### Записване от CD / USB / AUX

1. Поставете касета с чиста лента в джоба на касетата и затворете капака.
2. Натиснете бутона на режим готовност / функции, за да изберете режим CD, USB или AUX.
3. Поставете диск CD или пендрайв USB или свържете външно устройство аудио към гнездото AUX, след което изберете желаното произведение, което искате да запишете.
4. Натиснете бутон възпроизвеждане / пауза, за да започнете възпроизвеждането. Натиснете бутона за записване, за да започнете записването. Бутоните за записване и възпроизвеждане ще се натиснат едновременно.
5. Натиснете бутон пауза, за да прекъснете или да редактирате записа. Натиснете бутона отново, за да продължите записването.
6. Натиснете бутон стоп / отвори, за да завършите записването.
7. За да проверите, какво е записано, следвайте инструкциите за възпроизвеждане от касета.

### Видове касети

За записване използвайте само касети с високо качество (IEC TYPE 1). В това устройство не се препоръчва използване на касети C120.

### Грижа за механизма на касетофона

На всеки 10 часа работа на устройството трябва да се почистят главата и притискащата ролка.



Възпроизвеждащата глава и повърхността на притискащата ролка са много деликатни и не бива да ги докосвате с метални предмети като например отвертка. Подвзлите на касетофона могат да бъдат по-лесно почистени като се натиска бутона за възпроизвеждане, за да се изтегли главата и притискащата ролка. След почистване на механизма трябва да натиснете бутона за спиране. При оставяне на включен бутон възпроизвеждане след изключване на захранването може да се стигне до увреждане на притискащата ролка. В никакъв случай не бива да смазвате елементите на устройството.

### ОБСЛУЖВАНЕ НА CD/MP3

Дискове, които могат да бъдат възпроизведени

Устройството позволява възпроизвеждане на всички аудио дискове CD, финализирани цифрови дискове MP3, WMA CD-R, финализирани цифрови аудио дискове CD-R и CD/CD-R/CD-RW във формат CD-DA.

### Поставяне на диска

1. Натиснете бутона на режим готовност / функции, за да изберете режим CD.
2. Отворете джоба за диск CD. Върху дисплея ще се появи съобщение „OPEN“.
3. Поставете диска в джоба (с етикета нагоре).
4. Затворете капака. Общият брой на песните се показва върху екрана след завършване на четенето.
5. За да извадите CD, натиснете бутон стоп и отворете капака, хванете диска от страни за ръбовете и го извадете.

### Забележка:

1. За да осигурите правилно действие на устройството, трябва да изчакате до завършване на четенето на диска от плейъра.
2. Когато в плейъра няма диск или дискът е поставен обратно (с етикета надолу), ще бъде показано съобщение „NO CD“.

### Възпроизвеждане на диска

След поставянето на диска възпроизвеждането ще започне автоматично от произведение

1.

За да спрете възпроизвеждането, трябва да натиснете бутон възпроизвеждане / пауза.

Индикаторът за възпроизвеждане ще мига и върху дисплея ще се появи актуалният номер на песента.

За да възобновите възпроизвеждането, трябва отново да натиснете бутон възпроизвеждане / пауза.

За да спрете възпроизвеждането, натиснете бутон Стоп, върху дисплея ще се появи общият брой на песните.

### Избор на желаното музикално произведение/място

#### За да изберете желаното произведение

Натискайте поредно бутон следващо / TUN. + или предишно / TUN-, докато се появи номерът на желаното произведение.

#### За да намерите определен фрагмент от произведението по време на възпроизвеждането (претърсване на произведението с висока скорост)

Натиснете и задръжте бутон следващо / TUN. + или предишно / TUN-, за да превъртите текущото произведение с висока скорост до определен фрагмент, след което освободете бутона. Възпроизвеждането ще започне от това място.

#### За да изберете произведение, чийто номер е по-голям от 10 (само диск MP3)

За да изберете произведение, чийто номер е по-голям от 10, трябва да натиснете бутон 10 / fold / M.- или 10 / fold / M. +, за да прескочите 10 произведения напред/назад с всяко натискане, след което натиснете бутон следващо / TUN. + или предишно / TUN-, за да изберете желаното произведение. Например, за да изберете произведение номер 17, трябва да натиснете бутон 10 / fold / M. + и след това шест пъти да натиснете бутон следващо / TUN +.

#### За да изберете желана папка (само когато диск MP3 съдържа повече от една папка)

За да подминете желана папка по време на възпроизвеждане, натиснете и задръжте бутон 10 / fold / M.- или 10 / fold / M. + за около 2 секунди, за да преминете към следващата/предишната папка.

### Програмиране на последователност от произведения

Програмирането на последователност от произведения е възможно само в режим стоп. В паметта на плейъра може да се програмират в произволна последователност до 20 музикални произведения CD/99 музикални произведения Mp3.

1. В режим спрян натиснете бутон програмиране / памет / режим възпроизвеждане; символът „PROG“ ще започне да мига и ще се включи индикатор „P01“.



2. Натиснете бутон следващо / TUN. + или предишно / TUN-, за да изберете първото произведение за програмиране.
3. Натиснете бутон програмиране / памет / режим възпроизвеждане, за да потвърдите. Показанието на индикаторът върху дисплея ще се промени на „P02“.
4. Повторете дейностите от точки 2 и 3, за да запишете други песни и така, докато програмите всички песни.
5. Натиснете бутон възпроизвеждане / пауза, за да стартирате възпроизвеждането от първото програмирано музикално произведение.
6. Натиснете бутон стоп, за да спрете програмираното възпроизвеждане.

#### **За да изтриете паметта (програмата за възпроизвеждане)**

Програмата може да се изтрие по 2 начина:

1. Натиснете бутон стоп при спряно възпроизвеждане, или
2. Отворете джоба на диска - програмата ще бъде изтрита.

#### **Функция повтаряне (REPEAT)**

За да повторите възпроизвеждането на едно произведение

1. Натиснете веднъж бутон програмиране / памет / режим възпроизвеждане в режим възпроизвеждане; върху дисплея ще се появи символ „R“, който ще започне да мига. Текущото произведение ще бъде възпроизведено многократно, докато не бъде натиснат бутон стоп.
2. За да анулирате действието на функция повтаряне, натискайте бутон програмиране / памет / режим възпроизвеждане, докато символът „R“ излезне от LCD дисплея.

#### **За да повторите възпроизвеждането на всички песни**

1. Натискайте бутон програмиране / памет / режим възпроизвеждане в режим възпроизвеждане, докато върху дисплея светне символът „A“; всички песни от диска ще бъдат повтаряни, докато не бъде натиснат бутон стоп.
2. За да анулирате действието на функция повтаряне, натискайте бутон програмиране / памет / режим възпроизвеждане, докато символът „A“ излезне от LCD дисплея.

#### **За да повторите текущата папка (само MP3)**

1. Натискайте бутон програмиране / памет / режим възпроизвеждане в режим възпроизвеждане, докато върху дисплея светне символът „F“; текущата папка ще бъде повтаряна, докато не бъде натиснат бутон стоп.
2. За да анулирате действието на функция повтаряне, натискайте бутон програмиране / памет / режим възпроизвеждане, докато символът „F“ излезне от LCD дисплея.

#### **Произволно възпроизвеждане**

В режим възпроизвеждане натискайте бутон програмиране / памет / режим възпроизвеждане, докато върху дисплея светне символът „RDM“; произволното възпроизвеждане ще започне автоматично от следващото произведение до възпроизвеждането на всички произведения, а след това ще спре.

Натиснете веднъж бутон програмиране / памет / режим възпроизвеждане, за да анулирате.

#### **Начално възпроизвеждане (Intro)**

Натискайте бутон програмиране / памет / режим възпроизвеждане в режим възпроизвеждане, докато върху дисплея се появи съобщение „INTRO“, възпроизвеждането и сканирането на фрагменти с дължина 10 секунди от песните ще започне автоматично. За да анулирате функцията начално възпроизвеждане, трябва да натиснете бутон програмиране / памет / режим възпроизвеждане, докато символът „INTRO“ излезне от дисплея.

#### **Обслужване на USB**

1. Натиснете бутона на режим готовност / функции, за да изберете режим USB.
2. Включете USB паметта в USB гнездото. Върху LCD дисплея ще се появи общият брой песни и папки, записани в USB паметта. След четене на USB паметта устройството ще започне автоматично възпроизвеждане.
3. Натиснете бутон стоп, за да спрете възпроизвеждането. Върху дисплея ще се появи общият брой песни в USB паметта.
4. Функциите възпроизвеждане с повтаряне (повтаряне на 1 произведение, папка и всички произведения) са описани в раздел „ОБСЛУЖВАНЕ НА CD/MP3“.

**Забележка:**

- 1 Не използвайте удължителен кабел USB за свързване на USB памет, тъй като това може да причини смущения.
- 2 USB портът е достъпен само за възпроизвеждане на музика. Не се обслужва функцията зареждане на каквито и да било външни устройства.
- 3 Максималният капацитет на паметта, който може да бъде обслужван, е до 32 GB. USB порт е предназначен само за възпроизвеждане на музика. Устройството обслужва повечето файлове MP3. Други музикални формати не могат да бъдат възпроизведени.
- 4 Възпроизвеждане от смартфон чрез USB кабел и кодирани USB устройства може да не бъде обслужвано от това устройство.

**Обслужване на вход AUX**

В устройството е достъпно гнездо AUX 3,5 mm за свързване на MP3 плейър и други източници с цел усилване на аудио сигнала.

1. Натиснете бутона на режим готовност / функции, за да изберете режим AUX.
2. Включете аудио кабела (не е приложен към комплекта) в гнездото AUX IN, а втория край на кабела включете в гнездо AUDIO OUT на външен източник на звук. Устройството автоматично ще включи режим AUX.
3. Задайте желаното ниво на сила на звука в това устройство.
4. Натиснете бутона за възпроизвеждане на външния източник на аудио сигнала (например на MP3 плейъра), за да започнете възпроизвеждането.

**Спецификация**

Захранване: AC100-240V ~ 60 / 50Hz

DC 9V UM-1 x 6 бр. (Батериите не са включени в състава на комплекта)

Тегло ок. 1,46 kg

Размери ок. 285 mm (W) x 213 mm (D) x 140 mm (H)

Работна температура + 5 o C - +45 o C

Честотна лента FM 87,5-108 MHz

Максимален капацитет на обслужваните памет USB - 32 GB

Лазер 3 - лъча

Честотен диапазон 100 Hz - 16 kHz

Система за записване 2 канала (стерео)

Bias System DC Bias

Честотен диапазон 125 - 6,3 kHz

Wow and flutter 0.35% WRMS (JIS)

Изходна мощност 1,5 W x 2

Консумация на мощност 13 W

Консумация на мощност в режим готовност < 0,5W

(настоящата спецификация може да бъде променена без предизвестие)

## ΣΗΜΑΝΤΙΚΕΣ ΠΛΗΡΟΦΟΡΙΕΣ ΣΧΕΤΙΚΑ ΜΕ ΤΗΝ ΑΣΦΑΛΕΙΑ



### ΠΡΟΕΙΔΟΠΟΙΗΣΗ



#### ΚΙΝΔΥΝΟΣ ΗΛΕΚΤΡΟΠΛΗΞΙΑΣ ΜΗΝ ΑΝΟΙΓΕΤΕ

#### Σημαντικές πληροφορίες σχετικά με την ασφάλεια

##### Προειδοποίηση:

Για να μειώσετε τον κίνδυνο ηλεκτροπληξίας, δεν επιτρέπεται να αποσυναρμολογήσετε το κάλυμμα ούτε το οπίσθιο μέρος της συσκευής. Μέσα στη συσκευή δεν υπάρχουν εξαρτήματα προορισμένα για επίσκεψη από τον χρήστη. Η συντήρηση και η επισκευή του εξοπλισμού εκτελείται αποκλειστικά από τους εξουσιοδοτημένους υπαλλήλους σέρβις.

##### Εξηγήσεις γραφικών συμβόλων



Το σύμβολο αστραπής με το βέλος στην άκρη της μέσα στο ισόπλευρο τρίγωνο προειδοποιεί τον χρήστη από μη μονωμένη, "επικίνδυνη ηλεκτρική τάση" στο περίβλημα της συσκευής που μπορεί να έχει την τιμή η οποία προκαλεί ηλεκτροπληξία.



Το σύμβολο θαυμαστικού στο ισόπλευρο τρίγωνο προειδοποιεί τον χρήστη ότι σε αυτό τον τόπο των τεκμηριώσεων που συνάπτεται στη συσκευή, παρουσιάζονται σημαντικές πληροφορίες σχετικά με τον χειρισμό και τη συντήρηση της συσκευής.

Παρακαλούμε να διαβάσετε αυτές τις οδηγίες χρήσης πριν αρχίσετε να χειρίζεστε τη συσκευή, για να γνωρίσετε τις λειτουργίες της και να τη χρησιμοποιήσετε σύμφωνα με τον προορισμό της. Έτσι διασφαλίζετε τον διαρκή χειρισμό της συσκευής χωρίς βλάβες και απόλαυση από τη χρήση της συσκευής.

##### Σημαντικές πληροφορίες

- Πρέπει να κρατήσετε τις οδηγίες χρήσης και τις πληροφορίες σχετικά με την ασφάλεια με σκοπό τη μελλοντική χρήση τους.
- Μην επιτρέψτε κανένα υγρό να στάξει ή να χυθεί στη συσκευή.
- Δεν επιτρέπεται να χρησιμοποιήσετε τη συσκευή σε μέρη με υγρασία όπως π.χ. μπάνιο.
- Δεν επιτρέπεται να εγκαταστήσετε αυτή τη συσκευή στα ακόλουθα μέρη:
- Μέρη εκτεθειμένα στην άμεση ακτινοβολία ή κοντά σε θερμάστρες.
- Μην τοποθετείτε πάνω στη συσκευή άλλο εξοπλισμό στερεό που εκπέμπει θερμότητα.
- Όπου μπλοκάρεται ο εξαερισμός ή σε μέρος με σκόνη.
- Σε μέρη εκτεθειμένα σε συνεχείς δονήσεις.
- Σε μέρη με μεγάλη υγρασία.
- Δεν επιτρέπεται να τοποθετήσετε τη συσκευή δίπλα σε κεριά και ανοιχτή φλόγα.
- Μπορείτε να χρησιμοποιήσετε τη συσκευή με τον τρόπο που περιγράφεται στις παρούσες οδηγίες χρήσης.
- Πριν από την πρώτη ενεργοποίηση, πρέπει να βεβαιωθείτε ότι το τροφοδοτικό είναι κατάλληλα συνδεδεμένο.
- Η μήνημη USB συνδεδεμένη άμεσα ή με επέκταση USB μήκους έως 25 cm.

Για λόγους ασφαλείας δεν επιτρέπεται να αποσυναρμολογήσετε το περίβλημα ούτε να έχετε πρόσβαση στο μέσο της συσκευής. Η συσκευή πρέπει να επισκευαστεί από το εξειδικευμένο προσωπικό του σέρβις.

Δεν επιτρέπεται να ξεβιδώσετε τη συσκευή ούτε να ανοίξετε το περίβλημά της, γιατί μέσα δεν υπάρχουν εξαρτήματα που μπορεί να επισκευαστούν από τον χρήστη. Η συντήρηση και η επισκευή του εξοπλισμού εκτελείται αποκλειστικά από τους εξουσιοδοτημένους υπαλλήλους σέρβις.

**ΣΗΜΑΝΤΙΚΕΣ ΠΛΗΡΟΦΟΡΙΕΣ ΣΧΕΤΙΚΑ ΜΕ ΤΗΝ ΑΣΦΑΛΕΙΑ**

1. Διαβάστε τις οδηγίες χρήσης – πριν χρησιμοποιήσετε τη συσκευή πρέπει να διαβάσετε όλες τις οδηγίες χρήσης και τις πληροφορίες για την ασφάλεια.
2. Φυλάξτε τις οδηγίες χρήσης – πρέπει να φυλάξετε τις οδηγίες χρήσης και χειρισμού με σκοπό να τις χρησιμοποιήσετε στο μέλλον.
3. Ακολουθήστε τις προειδοποιήσεις – πρέπει να ακολουθήσετε όλες τις προειδοποιήσεις που είναι τοποθετημένες πάνω στη συσκευή και να ακολουθήσετε τις οδηγίες χρήσης.
4. Ακολουθήστε τις οδηγίες χρήσης – πρέπει να ακολουθήσετε τις οδηγίες χρήσης και τις συμβουλές για τον χρήστη.
5. Εγκατάσταση – πρέπει να τοποθετήσετε τη συσκευή σύμφωνα με τις οδηγίες του κατασκευαστή.
6. Πηγή τροφοδοσίας – η συσκευή πρέπει να τροφοδοτηθεί αποκλειστικά από τις πηγές με τις παραμέτρους που αναφέρονται στις επισημάνσεις του καλωδίου τροφοδοσίας. Αν ο χρήστης δεν είναι σίγουρος ποιανού τύπου τροφοδοσία έχει στο σπίτι του, πρέπει να επικοινωνήσει με τον πωλητή της συσκευής ή τον τοπικό προμηθευτή ηλεκτρικής ενέργειας.
7. Γείωση και πόλωση της συσκευής – η συσκευή πρέπει να έχει γείωση. Πρέπει να βεβαιωθείτε ότι το φως είναι τελικά τοποθετημένο στην πρίζα ηλεκτρικού δικτύου ή της επέκτασης, για να μην αφήσετε τους πείρους ή τους επαφείς του φως χωρίς κάλυμμα. Κάποιοι εκδοχές της συσκευής μπορεί να είναι εξοπλισμένες με πολωμένο φως εναλασσόμενου ρεύματος (με έναν πείρο πλατύτερο). Μπορείτε να βάλετε αυτό το φως στην πρίζα μόνο με έναν τρόπο. Αυτό είναι η λειτουργία προστασίας. Αν δεν μπορείτε να βάλετε το φως στην πρίζα, πρέπει να το περιστρέψετε. Αν το φως εξακολουθεί να μην ταιριάζει στην πρίζα, πρέπει να δώσετε εντολή στον ηλεκτρολόγο να αντικαταστήσει την πρίζα. Δεν επιτρέπεται να βγάλετε τα προστατευτικά του πολωμένου φως. Όταν χρησιμοποιείτε επέκταση ή καλώδιο τροφοδοσίας διαφορετικό από αυτό που παραδίδεται μαζί με τη συσκευή, αυτά πρέπει να έχουν κατάλληλα φως και το πιστοποιητικό ασφαλείας.
8. Προστασία του καλωδίου τροφοδοσίας – τα καλώδια τροφοδοσίας πρέπει να δρομολογούνται έτσι, ώστε να μην τα πατάτε, να μην τα πιέζετε και μην τα κόβετε με τοποθετημένα πάνω τους αντικείμενα. Δώστε ειδική σημασία στα φως, τις πρίζες ηλεκτρικού δικτύου και του τόπου όπου τα καλώδια είναι τοποθετημένα μέσα στη συσκευή.
9. Υπερφόρτωση – Δεν επιτρέπεται να υπερφορτώσετε τις ηλεκτρικές πρίζες τοίχου, τις επεκτάσεις και τους διαχωριστές, γιατί αυτό προκαλεί κίνδυνο πυρκαγιάς ή ηλεκτροπληξίας.
10. Εξαερισμός – η συσκευή πρέπει να έχει κατάλληλο εξαερισμό. Δεν επιτρέπεται να τοποθετήσετε τη συσκευή πάνω σε ένα κρεβάτι, έναν καναπέ ή σε παρόμοιες επιφάνειες. Δεν επιτρέπεται να καλύψετε τη συσκευή με τραπεζομάνηλα, πετσέτες, εφημερίδες κλπ.
11. Ζέστη – μην τοποθετήσετε τη συσκευή δίπλα σε πηγές θερμότητας όπως θερμάστρες, ακτινοβολείς, καμίνους ή άλλες συσκευές (ακόμη και ενισχυτές) που παράγουν θερμότητα. Μην τοποθετήσετε πάνω στη συσκευή αναμμένα κεριά και άλλες πηγές ανοιχτής φλόγας.
12. Νερό και υγρασία – για να μειώσετε τον κίνδυνο πυρκαγιάς ή ηλεκτροπληξίας, δεν επιτρέπεται να εκθέτετε τη συσκευή στην άμεση επίδραση βροχής, νερού και υγρασίας όπως π.χ. στη σάουνα ή το μπάνιο. Μην χρησιμοποιείτε την παρούσα συσκευή δίπλα σε νερό, π.χ. δίπλα σε μια μπανιέρα, νιπτήρα, νεροχύτη κουζίνας ή σκάφη, σε ένα υπόγειο με υγρασία ή δίπλα σε πισίνα (ή σε παρόμοιους τόπους).
13. Αντικείμενα μέσα στη συσκευή – δεν επιτρέπεται να πιέσετε οποιοδήποτε αντικείμενο μέσα από τα ανοίγματα της συσκευής, γιατί αυτά μπορεί να έχουν επαφή με τα σημεία της επικίνδυνης ηλεκτρικής τάσης και τα υποσυστήματα και αυτό μπορεί να προκαλέσει πυρκαγιά. Σε καμία περίπτωση μη χύσετε οποιοδήποτε υγρό δίπλα στη συσκευή. Δεν επιτρέπεται να βάζετε πάνω στη συσκευή τα αντικείμενα που περιέχουν υγρά.
14. Καθαρισμός – πάντα πρέπει να αποσυνδέετε τη συσκευή από την πρίζα ηλεκτρικού δικτύου πριν από καθαρισμό. Η σκόνη γύρω από το ηχείο μπορεί να αφαιρεθεί με ένα ύφασμα. Αν χρησιμοποιήσετε ένα αερόλυμα για καθαρισμό, μην κατευθύνετε τη ροή ψεκασμού άμεσα στη συσκευή, αλλά σε ένα πανί. Πρέπει να προσέξετε να μη χαλάσετε τις μονάδες μετάδοσης κίνησης.



15. Πρόσθετος εξοπλισμός – μη χρησιμοποιήσετε αξεσουάρ που δεν επιτρέπονται από τον κατασκευαστή, γιατί αυτά μπορούν να προκαλέσουν κίνδυνο.
16. Αξεσουάρ – μην τοποθετείτε τη συσκευή σε ασταθές καροτσάκι, υποστήριγμα, τρίποδο, βάση ή τραπέζι. Η συσκευή μπορεί να ανατραπεί και να χαλάσει καθώς και να προκαλέσει σοβαρά τραύματα σε παιδιά και σε ηλικιωμένα πρόσωπα. Πρέπει να χρησιμοποιήσετε αποκλειστικά καροτσάκια, υποστήριγματα, τρίποδα, βάσεις ή τραπέζια που ορίζονται από τον κατασκευαστή ή που πωλούνται μαζί με τη συσκευή. Εκτελέστε τη συναρμολόγηση της συσκευής σύμφωνα με τις οδηγίες του κατασκευαστή με χρήση του σετ συναρμολόγησης που προτείνεται από τον κατασκευαστή.
17. Μεταφορά της συσκευής – πρέπει να μεταφέρετε τη συσκευή τοποθετημένη σε καροτσάκι πολύ προσεκτικά. Ξαφνικό σταμάτημα, υπερβολική δύναμη ή ανώμαλες επιφάνειες μπορεί να προκαλέσουν ανατροπή στο καροτσάκι μαζί με τη συσκευή.
18. Περίοδος όταν η συσκευή δεν χρησιμοποιείται – πρέπει να αποσυνδέσετε το καλώδιο τροφοδοσίας από την πρίζα ηλεκτρικού δικτύου κατά τις καταιγίδες με κεραυνούς ή όταν δεν χρησιμοποιείτε τη συσκευή πολλή ώρα.
19. Σέρβις – μην δοκιμάσετε να εκτελέσετε επιθεωρήσεις της συσκευής μόνοι σας. Το να ανοίξετε το κάλυμμα μπορεί να προκαλέσει επαφή με επικίνδυνη ηλεκτρική τάση και να εκτεθεί ο χρήστης σε άλλου κινδύνους. Η συντήρηση και η επισκευή του εξοπλισμού εκτελείται αποκλειστικά από τους εξουσιοδοτημένους υπάλληλους σέρβις.
20. Όταν δεν χρησιμοποιείτε τη συσκευή, πρέπει να αποσυνδέσετε το φις της από την πρίζα ηλεκτρικού δικτύου. Όταν η συσκευή είναι συνδεδεμένη στην πηγή ηλεκτρικής ενέργειας, είναι στον τρόπο λειτουργίας αναμονής και δεν είναι απολύτως απενεργοποιημένη.
21. Ανταλλακτικά – όταν αντικαθιστάτε εξαρτήματα πρέπει να ελέγχετε αν ο υπάλληλος του σέρβις έχει χρησιμοποιήσει τα ανταλλακτικά που προτείνονται από τον κατασκευαστή ή τα εξαρτήματα είναι ίδια όπως τα γνήσια εξαρτήματα. Η αντικατάσταση εξαρτημάτων με μην εγκεκριμένα προκαλεί κίνδυνο πυρκαγιάς, ηλεκτροπληξίας και άλλους κινδύνους.
22. Κύριες ηλεκτρικές ασφάλειες – για να προστατέψετε με συνεχή τρόπο τη συσκευή από πιθανή πυρκαγιά, πρέπει να χρησιμοποιήσετε τις ασφάλειες κατάλληλου τύπου και παραμέτρων. Οι παράμετροι των ασφαλειών του ορισμένου φάσματος της ηλεκτρικής τάσης επισημαίνονται πάνω στη συσκευή.
23. Δεν επιτρέπεται να αυξήσετε την ένταση ήχου όταν ακούτε ένα κομμάτι το οποίο έχει χαμηλή ένταση ήχου ή όταν δεν υπάρχει σήμα ήχου εισόδου. Σε αντίθετη περίπτωση, ενδέχεται να χαλάσετε το ηχείο με την ξαφνική αύξηση της έντασης του σήματος.
24. Η μοναδική λύση να αποσυνδέσετε πλήρως τη συσκευή από την πηγή ηλεκτρικής ενέργειας είναι η αποσύνδεση του καλωδίου τροφοδοσίας από την πρίζα ηλεκτρικής ενέργειας ή από τη συσκευή. Η πρίζα ηλεκτρικού δικτύου ή η υποδοχή του καλωδίου τροφοδοσίας στη συσκευή πάντα πρέπει να είναι διαθέσιμες κατά τη χρήση της συσκευής.
25. Η συσκευή πρέπει να τοποθετηθεί δίπλα σε πρίζα ηλεκτρικού δικτύου ή επέκταση έτσι ώστε να είναι πάντα διαθέσιμες.
26. Η μέγιστη θερμοκρασία περιβάλλοντος πρέπει είναι 35°C.
27. Οδηγίες σχετικά με τις ηλεκτροστατικές εκκινήσεις - αν η λειτουργία της συσκευής διαταράσσεται με τις ηλεκτροστατικές εκκινήσεις, πρέπει να την απενεργοποιήσετε και να την ενεργοποιήσετε ξανά ή να μεταφέρετε τη συσκευή σε άλλο τόπο.
28. Μπαταρία
  - a. Δεν επιτρέπεται να εκθέτετε τις μπαταρίες στη δράση υπερβολικής ζέστης όπως π.χ. ηλιακή ακτινοβολία.
  - b. Κατά τη διάθεση των μπαταριών, πρέπει να δώσετε σημασία στις παραμέτρους της προστασίας του περιβάλλοντος.
  - c. Προειδοποίηση σχετικά με χρήση των μπαταριών: για να μην επιτρέψετε αποσφράγιση των μπαταριών που μπορεί να προκαλέσει τραύματα ή να χαλάσει τη συσκευή:
    - Όταν βάζετε τη μπαταρία δώστε σημασία στην πόλωση της (+ και -).
    - Δεν επιτρέπεται να χρησιμοποιήσετε ταυτόχρονα διαφορετικές μπαταρίες - καινούργιες και μεταχειρισμένες, τις μπαταρίες στάνταρ και αλκαλικές κλπ.
    - Πρέπει να βγάλετε τις μπαταρίες από τη συσκευή δεν τη χρησιμοποιείτε πολλή ώρα.



### ΠΡΟΕΙΔΟΠΟΙΗΣΗ

Η συσκευή δεν επιτρέπεται να χρησιμοποιηθεί από πρόσωπα (συμπεριλαμβανόμενων των παιδιών) με μειωμένη φυσική και αισθητηριακή ικανότητα και τα πρόσωπα με ανεπαρκή γνώση και εμπειρία, αν δεν είναι υπό την εποπτεία του προσώπου που είναι υπεύθυνο για την ασφάλειά τους και δεν έχουν εκπαιδευθεί πώς να χρησιμοποιούν τη συσκευή με ασφαλή τρόπο. Η παρουσία των ενηλίκων απαιτείται όταν τα παιδιά χειρίζονται τη συσκευή· έτσι θα διασφαλίσετε την ασφαλή χρήση της συσκευής.

1. Δεν επιτρέπεται να αφήνετε τη συσκευή όταν λειτουργεί χωρίς καμία εποπτεία! Πρέπει να απενεργοποιείτε τη συσκευή όταν δεν τη χρησιμοποιείτε, ακόμη για ένα σύντομο διάστημα.
2. Δεν επιτρέπεται να μεταχειρίζεστε τη συσκευή μέσα από ένα εξωτερικό ρολόι με χρονικό σύστημα ούτε με ξεχωριστό σύστημα τηλεχειρισμού.
3. Για να αποφύγετε κίνδυνο σε περίπτωση βλάβης του καλωδίου τροφοδοσίας, η αντικατάστασή του πρέπει να εκτελείτε από τον κατασκευαστή, την εξουσιοδοτημένη υπηρεσία σέρβις ή άλλο πρόσωπο που διαθέτει τα κατάλληλα προσόντα.
4. Πριν αρχίσετε να χειρίζεστε τη συσκευή, πρέπει να ελέγξετε αν η τάση της είναι συμβατή με την τάση του τοπικού ηλεκτρικού δικτύου.
5. Δεν επιτρέπεται να καλύπτετε τα ανοίγματα εξαερισμού π.χ. με εφημερίδες, τραπεζομάντηλα, κουρτίνες κλπ.. Πρέπει να βεβαιωθείτε ότι πάνω από τη συσκευή υπάρχει ένας ελεύθερο χώρος τουλάχιστον 20 cm και από κάθε πλευρά της - τουλάχιστον 5 cm.
6. Δεν επιτρέπεται να στάξει ή να χυθεί κανένα υγρό στη συσκευή και δεν επιτρέπεται να βάζετε πάνω στη συσκευή κανένα αντικείμενο γεμάτο με υγρό όπως π.χ. ένα βάζο.
7. Για να αποφύγετε πυρκαγιά ή ηλεκτροπληξία, πρέπει να προστατεύετε τη συσκευή από ζεστούς τόπους, τη δράση της βροχής, της υγρασίας και της σκόνης.
8. Δεν επιτρέπεται να τοποθετείτε τη συσκευή κοντά σε οποιαδήποτε πηγή νερού όπως π.χ. βρύσες, μπανιέρες, πλυντήρια ή πισίνες κολύμβησης. Η συσκευή πρέπει να τοποθετηθεί σε μια ίσια και σταθερή βάση.
9. Δεν επιτρέπεται να εκθέτετε τη συσκευή σε ισχυρό μαγνητικό πεδίο.
10. Δεν επιτρέπεται να βάζετε τη συσκευή αμέσως στον ενισχυτή, δέκτη ή διακόπτη.
11. Δεν επιτρέπεται να βάζετε τη συσκευή σε ένα μέρος με υγρασία, γιατί η υγρασία έχει αρνητική επίδραση στα ηλεκτρικά συστήματα.
12. Μετά από μεταφορά της συσκευής από κρύο σε ζεστό τόπο ή σε τόπο με υγρασία, μπορεί να προκληθεί υγρασία της υγρασίας πάνω στον φακό μέσα στη συσκευή αναπαραγωγής. Σε μια τέτοια περίπτωση η συσκευή δεν θα λειτουργήσει σωστά. Πρέπει να αφήσετε τη συσκευή απενεργοποιημένη για περίπου μια ώρα, για να επιτρέψετε την εξάτμιση της υγρασίας.
13. Δεν επιτρέπεται να καθαρίζετε τη συσκευή με χημικούς διαλύτες, γιατί μπορεί να χαλάσουν το βερνίκι του περιβλήματος. Σκουπίζετε τη συσκευή με ένα καθαρό, στεγνό ή λίγο μουσκεμένο πανί.
14. Όταν βγάξετε το φικ από την πρίζα τοίχου, πάντα πρέπει να τραβάτε το φικ και όχι το καλώδιο.
15. Όταν η ενεργοποιημένη συσκευή χρησιμοποιείται δίπλα σε ενεργοποιημένη τηλεόραση, μπορεί να είναι πηγή διαταραχών όρασης με τη μορφή γραμμών στην οθόνη. Αυτό εξαρτάται από τη ζώνη κυμάτων μετάδοσης της TV. Αυτό δεν σημαίνει ότι η συσκευή ή η τηλεόραση δεν λειτουργούν κατάλληλα. Αν αυτές γραμμές είναι ορατές, πρέπει να απομακρύνετε τη συσκευή από την τηλεόραση.
16. Το φικ ηλεκτρικού δικτύου χρησιμοποιείται για αποσύνδεση της ηλεκτρικής τάσης τροφοδοσίας και πάντα πρέπει να είναι διαθέσιμο.
17. Για να διατηρήσετε την κεφαλή λέιζερ καθαρή για την ανάγνωση των δίσκων CD, μην την αγγίζετε και πάντα κλείνετε τη θήκη δίσκων.
18. Κατά την αναπαραγωγή, ο δίσκος περιστρέφεται με μεγάλη ταχύτητα. ΔΕΝ ΕΠΙΤΡΕΠΕΤΑΙ να ανυψώνετε ούτε να μεταφέρετε τη συσκευή όταν αναπαράγει, γιατί έτσι μπορείτε να χαλάσετε τον δίσκο ή τη συσκευή.
19. Πριν μεταφέρετε τη συσκευή σε άλλο τόπο ή κατά τη διάρκεια μιας μετακόμισης, πρέπει να βγάλετε τον δίσκο και να κλείσετε τη θήκη δίσκου. Στη συνέχεια πρέπει να απενεργοποιήσετε την τροφοδοσία και να αποσυνδέσετε το καλώδιο τροφοδοσίας. Μεταφορά της συσκευής με τον δίσκο μέσα στη θήκη μπορεί να αποτελέσει αιτία βλάβης τους.

20. Μετά την αναπαραγωγή του δίσκου, πρέπει να τον τοποθετήσετε στη συσκευασία του. Δεν επιτρέπεται να εκθέτετε δίσκους στην επίδραση άμεση ηλιακής ακτινοβολίας και πηγής θερμότητας. Δεν επιτρέπεται να αφήνετε δίσκους μέσα σε ένα αυτοκίνητο που σταθμεύει σε πλήρη ήλιο.
21. Μην αγγίζετε την πλευρά του δίσκου όπου δεν υπάρχει ετικέτα. Κρατάτε τον πιάνοντας τις άκρες του για να μην αφήσετε δακτυλικά αποτυπώματα. Η σκόνη, τα δακτυλικά αποτυπώματα ή οι ρωγμές των δίσκων μπορούν να είναι αιτία ακατάλληλης λειτουργίας της συσκευής αναπαραγωγής. Δεν επιτρέπεται να επικολλάτε χαρτάκια ή αυτοκόλλητη ταινία πάνω στον δίσκο.
22. Για να καθαρίσετε τον δίσκο, χρησιμοποιήστε ένα πανί που δεν αφήνει κλωστές. Αρχίστε τον καθαρισμό με ευθύγραμμες κινήσεις από το κέντρο του δίσκου προς τις άκρες του, χρησιμοποιώντας για αυτό τον σκοπό γενικά διαθέσιμα καθαριστικά μέσα ή αντιστατικά μέσα για δίσκους βινυλλίου.
23. Για να μην επιρρέψετε πιθανή απώλεια ακοής, δεν επιτρέπεται να ακούτε μουσική πολύ δυνατά για πολλή ώρα.



#### ΠΡΟΕΙΔΟΠΟΙΗΣΗ: ΠΗΓΗ ΑΚΤΙΝΟΒΟΛΙΑΣ

CLASS 1 LASER PRODUCT  
LUOKAN 1 LASERLAITE  
KLASS 1 LASERAPPARAT

Αυτή η ετικέτα σημαίνει ότι μέσα στη συσκευή υπάρχουν συστήματα λέιζερ. Το να ανοίξετε τη θήκη των δίσκων CD και η παράλειψη μπλοκαρισμάτων προστασίας, εκθέτει το χρήστη στην επίδραση της ακτινοβολίας λέιζερ. Δεν επιτρέπεται να βλέπετε τη δέσμη λέιζερ κατά τη λειτουργία της συσκευής.

#### ΠΡΙΝ ΑΠΟ ΤΗ ΛΕΙΤΟΥΡΓΙΑ

##### Παρατηρήσεις: για τους συμπαγείς δίσκους

Καθώς βρώμικοι, χαλασμένοι ή παραμορφωμένοι δίσκοι μπορούν να αποτελέσουν αιτία βλάβης της συσκευής, πρέπει να δώσετε σημασία στα εξής στοιχεία:

- a. Οι συμπαγείς δίσκοι που μπορείτε να χρησιμοποιήσετε. Μπορείτε να χρησιμοποιείτε μόνο τους παρακάτω αναφερόμενου δίσκους.
- b. Δίσκους CD αποκλειστικά με ψηφιακό σήμα ήχου.



#### ΠΡΟΣΟΧΗ



Δήλωση

Δια του παρόντος η εταιρεία Blaupunkt Competence Center 2N-Everpol Sp. z o.o. δηλώνει ότι η παρούσα συσκευή είναι συμβατή με τις προϋποθέσεις και τις λοιπές σχετικές προβλέψεις της οδηγίας 2014/53 / ΕΕ. Μπορείτε να λάβετε την πλήρη δήλωση συμβατότητας από την ιστοσελίδα [www.blaupunkt.com](http://www.blaupunkt.com) στην καρτέλα του προϊόντος.

Κάτοχος άδειας κυκλοφορίας: 2N-Everpol Sp. Z o.o.

Puławska 403A, 02-801 Warszawa, Πολωνία

Τηλέφωνο: +48 22 331 99 59, e-mail: [info@everpol.pl](mailto:info@everpol.pl)



Το προϊόν κατασκευάστηκε από υλικά υψηλής ποιότητας και τα συστήματα, τα οποία μπορούν να ανακυκλωθούν και να χρησιμοποιηθούν ξανά.



Αν πάνω στη συσκευή υπάρχει το σύμβολο του διαγραμμένου κάδου, αυτό σημαίνει ότι το προϊόν καλύπτεται από τις προβλέψεις της ευρωπαϊκής οδηγίας 2012/19/ΕΕ. Πρέπει να εξοικειωθείτε με τις απαιτήσεις του τοπικού συστήματος συγκέντρωσης απορριπτόμενου εξοπλισμού και υπολειμμάτων υλικού διάλυσης. Πρέπει να ακολουθήσετε τους τοπικούς κανονισμούς. Μην απορρίψετε το προϊόν μαζί με τα κανονικά οικιακά απορρίμματα. Η σωστή διάθεση του παλαιού προϊόντος προστατεύει από αρνητικά αποτελέσματα για το φυσικό περιβάλλον και την ανθρώπινη υγεία.



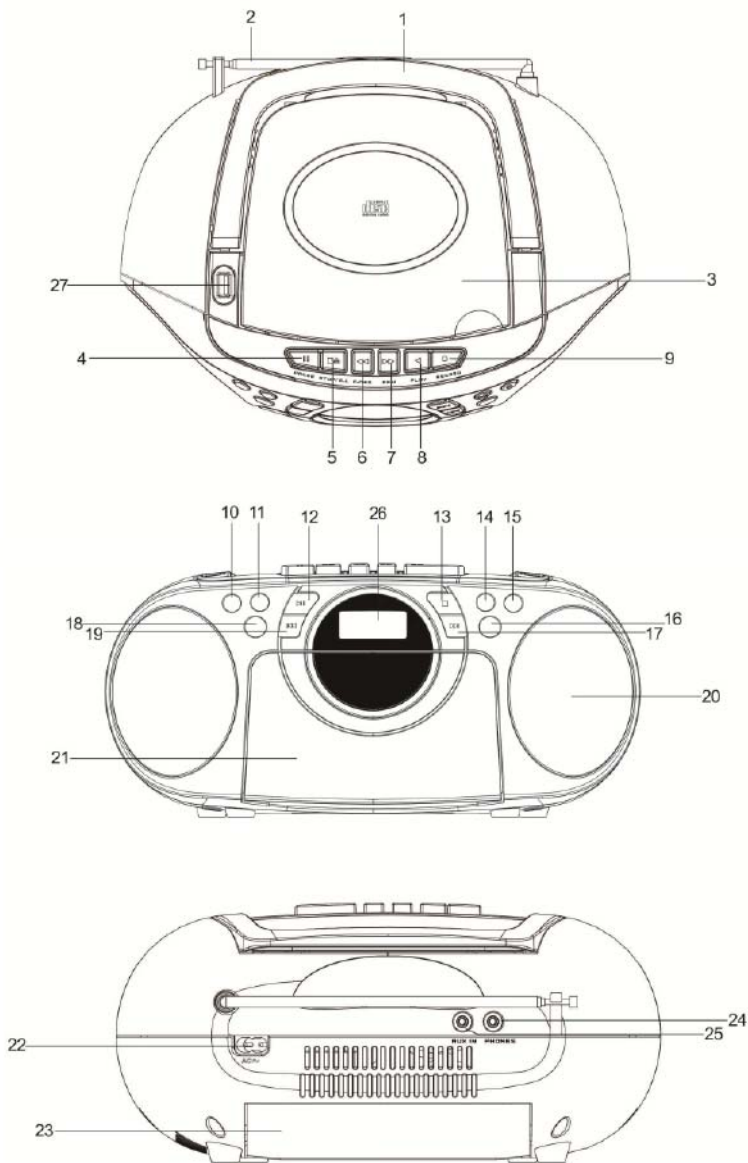
Η συσκευή είναι εξοπλισμένη με μπαταρίες οι οποίες ορίζονται με την ευρωπαϊκή οδηγία 2006/66/ΕC. Δεν επιτρέπεται να απορρίπτετε τις μπαταρίες μαζί με τα οικιακά απορρίμματα. Πρέπει να εξοικειωθείτε με τους τοπικούς κανονισμούς για την ξεχωριστή συγκέντρωση των μπαταριών, διότι η κατάλληλη διάθεση προστατεύει από πιθανά αρνητικά αποτελέσματά της για το φυσικό περιβάλλον και την ανθρώπινη ζωή.

### **Πληροφορίες για την προστασία του περιβάλλοντος**

Η συσκευασία περιέχει μόνο τα απαραίτητα στοιχεία. Έχει καταβληθεί κάθε δυνατή προσπάθεια ώστε τα τρία συστατικά της συσκευασίας να διαχωριστούν εύκολα: χαρτί (κουτί), αφρός πολυστερίνης (προστατευτικά μέσα στη συσκευασία) και πολυαιθυλένιο (σακούλες, προστατευτικό φύλλο). Η συσκευή κατασκευάστηκε από υλικά τα οποία μπορούν να ανακυκλωθούν και να χρησιμοποιηθούν ξανά μετά την αποσυναρμολόγησή τους. Πρέπει να ακολουθήσετε τους τοπικούς κανονισμούς σχετικά με τη διάθεση των υλικών συσκευασίας, των μεταχειρισμένων μπαταριών και των περιττών συσκευών.

Η εγγραφή και αναπαραγωγή υλικού μπορεί να απαιτήσει σχετική άδεια. Βλέπε το περί πνευματικών δικαιωμάτων και των δικαιωμάτων/δημιουργών/καλλιτεχνών νόμο.

**ΔΙΑΘΕΣΗ ΤΩΝ ΕΞΑΡΤΗΜΑΤΩΝ ΕΛΕΓΧΟΥ**



GREEK

**Εξαρτήματα χειρισμού**

1. Χειρολαβή·
2. Κεραία FM·
3. Κάλυμμα CD·
4. Κουμπί παύσης·
5. Κουμπί Διακοπής / Εξαγωγής·
6. Κουμπί κύλισης προς τα εμπρός·
7. Κουμπί κύλισης πίσω·
8. Κουμπί αναπαραγωγής·
9. Κουμπί εγγραφής·
10. Κουμπί 10 / Fold / M.-·
11. Κουμπί 10 / Fold / M.+·
12. Κουμπί αναπαραγωγής / παύσης
13. Κουμπί διακοπής·
14. Κουμπί μείωσης έντασης ήχου·
15. Κουμπί αύξησης έντασης ήχου·
16. Κουμπί τρόπου λειτουργίας αναμονής / λειτουργίας·
17. Κουμπί επόμενο / Tune +·
18. Κουμπί τρόπου προγραμματισμού / μνήμης / τρόπου αναπαραγωγής·
19. Κουμπί προηγούμενο / Tune --·
20. Μεγάφωνο·
21. Θήκη κασέτας·
22. Πηγή AC·
23. Θήκη μπαταρίας·
24. Υποδοχή ακουστικών·
25. Υποδοχή AUX·
26. Οθόνη LCD·
27. Υποδοχή USB.

**ΠΗΓΗ ΤΡΟΦΟΔΟΣΙΑΣ**

Η συσκευή μπορεί να τροφοδοτηθεί από την ηλεκτρική ενέργεια ή από τη μπαταρία.

**Τροφοδοσία από την ηλεκτρική ενέργεια**

Συνδέστε ένα βύσμα του καλωδίου τροφοδοσίας στην υποδοχή της συσκευής και το δεύτερο στην πρίζα τοίχου. Οι μπαταρίες θα φορτιστούν αυτόματα.

**Τροφοδοσία από τις μπαταρίες**

Ανοίξτε το κάλυμμα της θήκης μπαταρίας. Βάλτε 6 μπαταρίες UM-1/D (δεν συμπεριλαμβάνονται στο σετ)

στη θήκη. Ακολουθήστε την ενδεικμένη πόλωση.

**ΠΡΟΕΙΔΟΠΟΙΗΣΗ**

Πρέπει να βγάλετε τις μπαταρίες από τη συσκευή όταν μην τη χρησιμοποιήσετε πολλή ώρα. Οι μπαταρίες περιέχουν χημικές ουσίες διότι πρέπει να τις διαθέτετε με κατάλληλο τρόπο.

**ΒΑΣΙΚΕΣ ΛΕΙΤΟΥΡΓΙΕΣ**

Ενεργοποίηση της συσκευής

Μετά τη σύνδεση της τροφοδοσίας, πατήστε το κουμπί τρόπου λειτουργίας αναμονής / λειτουργίας για να ενεργοποιήσετε τη συσκευή και στη συνέχεια πατήστε το κουμπί τρόπου λειτουργίας αναμονής / λειτουργίας για να επιλέξετε τον τρόπο CD / USB / AUX / TAPE ή RADIO. Το συνεχές πάτημα του κουμπού τρόπου λειτουργίας αναμονής / λειτουργίας, ενεργοποιεί τη συσκευή.

**ΠΡΟΣΟΧΗ:** Στον τρόπο CD / USB / AUX / TAPE, όταν η συσκευή παραμένει χωρίς αναπαραγωγή για 60 λεπτά, αυτόματα μεταβαίνει στον τρόπο λειτουργίας αναμονής. Στον τρόπο αναπαραγωγής κασέτας η συσκευή αυτόματα μεταβαίνει στον τρόπο λειτουργίας αναμονής όταν η κασέτα δεν αναπαράγεται για 60 λεπτά. Για να ενεργοποιήσετε τη συσκευή πατήστε το κουμπί τρόπου λειτουργίας αναμονής / λειτουργίας ή ξανασυνδέστε τη συσκευή.



**Οδηγίες σχετικά με τις ηλεκτροστατικές εκκινήσεις** - αν η λειτουργία της συσκευής διαταράσσεται με τις ηλεκτροστατικές εκκινήσεις, πρέπει να τη απενεργοποιήσετε και να την ενεργοποιήσετε ξανά.

### **Ρύθμιση έντασης ήχου**

Πατήστε το κουμπί VOL. + / - για να αυξήσετε ή να μειώσετε την ένταση ήχου.

### **Υποδοχή ακουστικών**

Με σκοπό τη σωπήλη ακρόαση, συνδέστε ακουστικά με βύσμα 3,5 mm (δεν συμπεριλαμβάνονται στο σετ) στην υποδοχή ακουστικών. Η υποδοχή ακουστικών θα ανοίξει αυτόματα.

Προειδοποίηση: Η υπερβολική χρήση των ακουστικών σε υψηλό επίπεδο έντασης ήχου μπορεί να επηρεάσει αρνητικά την ακοή.

### **Χειρισμό του ραδιοφώνου FM**

Πριν να αρχίσετε να ακούτε ραδιόφωνο πρέπει να επεκτείνετε πλήρως την κεραία FM και να δοκιμάσετε να μεταφέρετε τη συσκευή δίπλα σε ένα παράθυρο για να λάβετε καλύτερη λήψη σήματος: πατήστε το κουμπί τρόπου λειτουργίας αμαμονής / λειτουργίας για να περάσετε στον τρόπο λειτουργίας του ραδιοφώνου FM.

1. Αναζήτηση και σάρωση σταθμών FM: πατήστε για λίγο το κουμπί Tune +/- για να αυξήσετε ή να μειώσετε τη συχνότητα FM κατά 0,05 MHz. Πατήστε και κρατήστε το κουμπί Tune +/- 2 δευτερόλεπτα για να σαρώσετε αυτόματα και να αναπαραγάγετε διαθέσιμους σταθμούς προς τα πάνω ή προς τα κάτω από τη ζώνη· πατήστε και κρατήστε το για να σαρώσετε τον επόμενο σταθμό.
2. Χειροκίνητη αποθήκευση ραδιοφωνικών σταθμών: Μετά την επιλογή του αγαπημένου σας σταθμού με το κουμπί Tune +/- πατήστε το κουμπί προγραμματισμός / μνήμη / τρόπος αναπαραγωγής για να αρχίσετε τον προγραμματισμό· πατάτε το κουμπί 10 / fold / M.- ή 10 / fold / M. + για να επιλέξετε τον αριθμό στο οποίο θέλετε να προγραμματίσετε τον σταθμό (ο μέγιστος αριθμός προγραμματισμένων σταθμών είναι 40), πατήστε ξανά το κουμπί προγραμματισμός / μνήμη / τρόπος αναπαραγωγής για να επιβεβαιώσετε την επιλογή σας· ο σταθμός θα αποθηκευτεί στον επιλεγμένο αριθμό.
3. Αυτόματος προγραμματισμός ραδιοφωνικών σταθμών (αυτόματος σταθμός και προγραμματισμός έως 40 σταθμούς): Πατήστε για λίγο το κουμπί αναπαραγωγής / παύσης για να ενεργοποιηστεί τον τρόπο αυτόματης σάρωσης και καταγραφής των διαθέσιμων ραδιοφωνικών σταθμών· πατήστε για λίγο το κουμπί 10 / fold / M.- ή 10 / fold // M. + για να επιλέξετε τον προγραμματισμένο σταθμό.

### **ΧΕΙΡΙΣΜΟΣ ΚΑΣΕΤΟΦΩΝΟΥ**

#### **Αναπαραγωγή μουσική από κασέτα**

Πρέπει να τεντώσετε την ταινία στην κασέτα πριν να τη βάλετε στη συσκευή. Βάλτε ένα μολύβι ή στύλο στο άνοιγμα της κασέτας και περιστρέψτε το για να τεντώσετε την ταινία. Πατήστε το κουμπί **σταματήματος / ανοίγματος** για να ανοίξετε τη θήκη κασέτας.

Βάλτε την κασέτα στη θήκη (το μέρος με ορατή ταινία προς τα πάνω και πλήρης μομποπία από αριστερά), πιέστε προς το τέλος και κλείστε τη θήκη. Μη αγγίξετε την ταινία. Προγραμματίστε το διακόπτη εναλλαγής της ταινίας στη θέση TAPE και πατήστε το κουμπί αναπαραγωγής κασέτας. Για να σταματήσετε αναπαραγωγή, πατήστε το κουμπί σταματήματος / ανοίγματος της θήκης. Για να βγάλετε την κασέτα, πατήστε ξανά το κουμπί σταματήματος / ανοίγματος της θήκης.

#### **AUTO STOP**

Όταν η ταινία τελειώσει κατά παραγωγή ή καταγραφή της, το ενσωματωμένο σύστημα αυτόματου σταματήματος θα απελευθερώσει το κουμπί αναπαραγωγής ή καταγραφής. Το σύστημα αυτόματου σταματήματος θα προκαλέσει ότι κατά καταγραφή από το ενσωματωμένο ραδιόφωνο ή τον αναπαραγωγέα CD η λειτουργία auto stop θα σταματήσει τον τρόπο καταγραφής όταν η ταινία τελειώσει ενώ το ραδιόφωνο ή ο αναπαραγωγέας CD θα συνεχίσουν να λειτουργούν.

### Καταγραφή από το ραδιόφωνο

1. Βάλτε μια κενή ταινία στη θήκη κασέτας και κλείστε το κάλυμμα.
2. Πατήστε το κουμπί τρόπου λειτουργίας αναμονής / λειτουργίας για να επιλέξετε τον τρόπο FM
3. Επιλέξτε τον επιθυμητό σταθμό πατώντας το κουμπί επόμενο / TUN. + η προηγούμενο / TUN-.
4. Πατήστε το κουμπί εγγραφής για να αρχίσετε να καταγράφετε. Το κουμπί εγγραφής και αναπαραγωγής πατιούνται μαζί ταυτόχρονα.
5. Πατήστε το κουμπί διακοπή / εξαγωγή για να τελειώσετε την εγγραφή.
6. Για να ακούσετε τι έχετε καταγράψει ακολουθήστε τις οδηγίες σχετικά με την αναπαραγωγή κασέτας.

Σημείωση: Προσωρινή παύση εγγραφής- χρησιμοποιήστε το κουμπί παύση στον αναπαραγωγέα κασέτας αντί για το κουμπί διακοπή / εξαγωγή για προσωρινή παύση εγγραφής. Πατήστε ξανά το κουμπί παύση για να επανεκκινήσετε την εγγραφή.

### Εγγραφή από CD / USB / AUX

1. Βάλτε μια κενή ταινία στη θήκη κασέτας και κλείστε το κάλυμμα.
2. Πατήστε το κουμπί τρόπου λειτουργίας αναμονής / λειτουργίας για να επιλέξετε τον τρόπο CD, USB ή AUX
3. Βάλτε τον δίσκο CD ή συνδέστε τη συσκευή USB ή συνδέστε εξωτερική διάταξη ήχου στην υποδοχή AUX και στη συνέχεια επιλέξτε το κομμάτι το οποίο θέλετε να καταγράψετε.
4. Πατήστε το κουμπί αναπαραγωγή / παύση για να αρχίσετε να καταγράφετε. Πατήστε το κουμπί εγγραφής για να αρχίσετε να καταγράφετε. Το κουμπί εγγραφής και αναπαραγωγής πατιούνται μαζί ταυτόχρονα.
5. Πατήστε το κουμπί παύση για να σταματήσετε ή να προβάλετε την εγγραφή. Πατήστε το ξανά για να ανανεώσετε την καταγραφή.
6. Πατήστε το κουμπί διακοπή / εξαγωγή για να ολοκληρώσετε την εγγραφή.
7. Για να ακούσετε τι έχετε καταγράψει ακολουθήστε τις οδηγίες σχετικά με αναπαραγωγή κασέτας.

### Τύποι κασετών

Χρησιμοποιήστε μόνο τις κασέτες υψηλής ποιότητας (IEC TYPE 1) για εγγραφή. Σε αυτή τη συσκευή δεν προτείνεται να χρησιμοποιήσετε τις κασέτες C120.

### Φροντίδα για το μηχανισμό κασετοφώνου

Κάθε 10 ώρες λειτουργίας του κασετοφώνου πρέπει να καθαρίσετε την κεφαλή και τον τροχό πίεσης/ρολό.



Η κεφαλή αναπαραγωγής και η επιφάνεια του ρολού πίεσης είναι λεπτές και δεν επιτρέπεται να τις αγγίξετε με μεταλλικά αντικείμενα π.χ. με ένα κατσαβίδι. Μπορείτε να καθαρίσετε πιο εύκολα τα υποσυστήματα του κασετοφώνου πατώντας το κουμπί αναπαραγωγής με σκοπό την εξώθηση της κεφαλής και του ρολού πίεσης. Μετά από καθαρισμό του μηχανισμού πρέπει να πατήσετε το κουμπί σταματήματος, μετά να συνδέσετε τη τροφοδοσία και να αφήσετε ενεργοποιημένο το κουμπί αναπαραγωγή μπορεί να χαλαρώσει το ρολό πίεσης. Σε καμία περίπτωση δεν επιτρέπεται να λιπάνετε τα εξαρτήματα της συσκευής.

### ΧΕΙΡΙΣΜΟΣ CD/MP3

Τα δίσκα που μπορείτε να αναπαράγετε

Η συσκευή επιτρέπει αναπαραγωγή όλων των δίσκων audio CD, τελειωμένων ψηφιακών δίσκων MP3, WMA CD-R, τελειωμένων ψηφιακών δίσκων audio CD-R και δίσκων CD/CD-R/CD-RW στη μορφή CD-DA.

### Ένθεση δίσκου

1. Πατήστε το κουμπί τρόπου λειτουργίας αναμονής / λειτουργίας για να επιλέξετε τον τρόπο CD.
2. Ανοίξετε τη θήκη δίσκου CD. Στην οθόνη θα προβληθεί η προειδοποίηση «OPEN».
3. Βάλτε το δίσκο στη θήκη (με την ετικέτα προς τα πάνω).
4. Κλείστε τη θήκη δίσκου. Ολόκληρος αριθμός των κομματιών προβάλλεται στην οθόνη μετά από το τέλος της αναγνώρισης.
5. Για να βγάλετε το δίσκο CD, πατήστε το κουμπί stop και ανοίξετε το κάλυμμα, λάβετε το δίσκο πιάνοντας τις άκρες του και βγάλτε το.

### Σημείωση:

1. Για να διασφαλίσετε κατάλληλη λειτουργία της συσκευής πρέπει να περιμένετε να τελειώσει η αναπαραγωγή του δίσκου από τη συσκευή.
2. Όταν στη συσκευή δεν υπάρχει δίσκο ή όταν το δίσκο είναι ανάποδα (η ετικέτα προς τα κάτω), θα προβληθεί η προειδοποίηση «NO CD».

### Αναπαραγωγή δίσκου

Μετά την εισαγωγή του δίσκου αναπαραγωγής, θα αρχίσει αυτόματα από το κομμάτι 1. Για να παύση της αναπαραγωγής, πατήστε το κουμπί αναπαραγωγή / παύση. Ο δείκτης αναπαραγωγής θα αναβοσβήσει και ο τρέχων αριθμός του κομματιού θα προβληθεί στην οθόνη.

Για να ανανεώσετε αναπαραγωγή πατήστε ξανά το κουμπί αναπαραγωγή / παύση.

Για να σταματήσετε αναπαραγωγή πατήστε το κουμπί Stop, πάνω στην οθόνη θα προβληθεί ολόκληρος αριθμός κομματιών.

### Επιλογή ζητούμενου κομματιού/τόπου

#### Για να επιλέξετε το ζητούμενο κομμάτι

Πατάτε συνέχεια το κουμπί επόμενο / TUN. + ή προηγούμενο / TUN- έως θα προβληθεί ο αριθμός του ζητούμενο κομματιού.

#### Για να βρείτε ορισμένο τόπο στο κομμάτι κατά την αναπαραγωγή (αναζήτηση του κομματιού με μεγάλη ταχύτητα)

Πατήστε και κρατήστε το κουμπί επόμενο / TUN. + ή προηγούμενο / TUN- για να κυλίσετε το τρέχον κομμάτι με μεγάλη ταχύτητα έως τον ορισμένο τόπο και επομένως απελευθερώστε το κουμπί. Η αναπαραγωγή θα αρχίσει από αυτόν τον τόπο.

#### Για να επιλέξετε το κομμάτι του οποίου αριθμός είναι μεγαλύτερο από 10 (μόνο δίσκα MP3)

Για να επιλέξετε το κομμάτι/μονοπάτι ου οποίου αριθμός είναι μεγαλύτερο από 10, πατήστε το κουμπί 10 / fold / M.- ή 10 / fold / M. + για να μεταφερθείτε κάθε φορά προς τα εμπρός/προς τα πίσω κατά 10 κομμάτια και επομένως πατήστε το κουμπί επόμενο / TUN. + ή προγενέστερο / TUN-, για να επιλέξετε το ζητούμενο κομμάτι. παραδείγματος χάριν για να επιλέξετε το 17ο κομμάτι πατήστε το κουμπί 10 / fold / M. + και επομένως έξι φορές του κουμπί επόμενο / TUN. +.

#### Για να επιλέξετε το ζητούμενο φάκελο (μόνο όταν το δίσκο MP3 περιέχει πάνω από ένα φάκελο)

Για να παραλείψετε το ζητούμενο φάκελο κατά την αναπαραγωγή, πατήστε και κρατήστε το κουμπί 10 / fold / M.- ή 10 / fold / M. + κατά περίπου 2 δευτερόλεπτα για να περάσετε στο επόμενο/προηγούμενο φάκελο.

### Προγραμματισμός μονοπατιών

Προγραμματισμός μονοπατιών δύναται μόνο στον τρόπο λειτουργίας σταματήματος. Στη μνήμη της συσκευής αναπαραγωγής μπορείτε να προγραμματίσετε σε οποιαδήποτε σειρά έως 20 κομμάτια CD/99 μονοπάτια MP3.

1. Στον τρόπο λειτουργίας σταματήματος πατήστε το κουμπί προγραμματισμός /μνήμη /τρόπος αναπαραγωγής· το σύμβολο «PROG» θα αρχίσει να αναβοσβήνει και θα ενεργοποιηθεί ο δείκτης «P01».
2. Πατήστε το κουμπί επόμενο / TUN. + ή προηγούμενο / TUN-, για να επιλέξετε το πρώτο κομμάτι για προγραμματισμό.
3. Πατήστε το κουμπί προγραμματισμός /μνήμη /τρόπος αναπαραγωγής για να το επιβεβαιώσετε. Η οθόνη το προβολέα θα αλλάξει στο «P02».
4. Επαναλάβετε τις ενέργειες των υποπαράγραφων 2. και 3. για να καταγράψετε άλλα κομμάτια έως να προγραμματίσετε όλα τα κομμάτια.
5. πατήστε το κουμπί αναπαραγωγής / παύσης για να ενεργοποιήσετε την αναπαραγωγή από το πρώτο κομμάτι.
6. Πατήστε το κουμπί stop για να σταματήσετε την προγραμματισμένη αναπαραγωγή.

### **Για να διαγράψετε τη μνήμη (πρόγραμμα αναπαραγωγής)**

Το πρόγραμμα μπορεί να διαγραφεί με δύο τρόπους:

1. Πατήστε το κουμπί stop με σταματημένη αναπαραγωγή ή
2. Ανοίξτε τη θήκη δίσκου - το πρόγραμμα θα διαγραφεί.

### **Λειτουργία επανάληψης (REPEAT)**

Για να επαναλάβετε αναπαραγωγή ενός κομματιού

1. Πατήστε μια φορά το κουμπί προγραμματισμός /μνήμη /τρόπος αναπαραγωγής w στον τρόπο αναπαραγωγής· πάνω στην οθόνη θα προβληθεί το σύμβολο „” που θα αρχίσει να αναβοσβήνει. Το τρέχον κομμάτι θα αναπαρραχθεί πολλές φορές έως να πατήσετε το κουμπί stop.
2. Για να ακυρώσετε τη λειτουργία επανάληψης πατάτε το κουμπί προγραμματισμός /μνήμη /τρόπος αναπαραγωγής έως τη στιγμή οπότε το σύμβολο „” εξαφανιστεί από την οθόνη LCD.

Για να επαναλάβετε αναπαραγωγή όλων των κομματιών

1. Πατάτε το κουμπί προγραμματισμός /μνήμη /τρόπος αναπαραγωγής στον τρόπο αναπαραγωγής έως να προβληθεί το σύμβολο „” πάνω στην οθόνη· όλα τα κομμάτια στο δίσκο θα επαναληφθούν έως να πατήσετε το κουμπί stop.
2. Για να ακυρώσετε τη λειτουργία επανάληψης πατάτε το κουμπί προγραμματισμός /μνήμη /τρόπος αναπαραγωγής έως τη στιγμή οπότε το σύμβολο „” εξαφανιστεί από την οθόνη LCD.

Για να επαναλάβετε το τρέχοντα φάκελο (μόνο MP3)

1. Πατάτε το κουμπί προγραμματισμός /μνήμη /τρόπος αναπαραγωγής στον τρόπο αναπαραγωγής έως να προβληθεί το σύμβολο „FOLDER” πάνω στην οθόνη· το τρέχον φάκελο θα επαναληφθεί έως να πατήσετε το κουμπί stop.
2. Για να ακυρώσετε τη λειτουργία επανάληψης πατάτε το κουμπί προγραμματισμός /μνήμη /τρόπος αναπαραγωγής έως τη στιγμή οπότε το σύμβολο „FOLDER” εξαφανιστεί από την οθόνη LCD.

Τυχαία αναπαραγωγή

Πατάτε του κουμπί προγραμματισμός /μνήμη /τρόπος αναπαραγωγής στον τρόπο αναπαραγωγής εωςότου να προβληθεί το σύμβολο «RDM» πάνω στην οθόνη· η τυχαία αναπαραγωγή θα αρχίσει αυτόματα από το επόμενο κομμάτι έως να αναπαρραχθούν όλα τα κομμάτια και επομένως θα σταματήσει.

Πατήστε μια φορά του κουμπί προγραμματισμός /μνήμη /τρόπος αναπαραγωγής για ακύρωση.

Αρχική αναπαραγωγή (Intro)

Πατάτε το κουμπί προγραμματισμός /μνήμη /τρόπος αναπαραγωγής στον τρόπο αναπαραγωγής εωςότου να προβληθεί το "INTRO" πάνω στην οθόνη, η αναπαραγωγή και η σάρωση των αποσπασμάτων 10 δευτερόλεπτων των κομματιών θα αρχίσει αυτόματα. Για να ακυρώσετε την αρχική αναπαραγωγή πατήστε το κουμπί προγραμματισμός /μνήμη /τρόπος αναπαραγωγής έως τη στιγμή που στην οθόνη θα προβληθεί το σύμβολο "INTRO".



### Χειρισμός USB

1. Πατήστε το κουμπί τρόπου λειτουργίας αναμονής / λειτουργίας για να επιλέξετε τον τρόπο USB.
2. συνδέστε τη μνήμη USB στην υποδοχή USB. Η οθόνη LCD θα προβάλλει ολόκληρο τον αριθμό κομματιών και φακέλων που είναι αποθηκευμένα στη μνήμη USB. Μετά την αναγνώριση της μνήμης USB, η συσκευή θα αρχίσει την αυτόματη αναπαραγωγή.
3. Πατήστε το κουμπί stop για να σταματήσετε την προγραμματισμένη αναπαραγωγή. Η οθόνη θα προβάλλει ολόκληρο τον αριθμό των κομματιών στο USB.
4. Οι λειτουργίες αναπαραγωγής με επανάληψη (επανάληψη 1 κομματιού, φακέλου και όλων των κομματιών) περιγράφονται στην παράγραφο «ΧΕΙΡΙΣΜΟΣ CD/MP3».

### Σημείωση:

- 1 Μη χρησιμοποιήσετε το καλώδιο επέκτασης USB για να συνδέσετε τη μνήμη USB, γιατί αυτό μπορεί να προκαλέσει διαταραχές.
- 2 Η υποδοχή USB είναι διαθέσιμη μόνο για αναπαραγωγή μουσικής. Δεν εξυπηρετεί τη λειτουργία φόρτισης οποιασδήποτε εξωτερικής συσκευής.
- 3 Το μέγιστο μέγεθος της μνήμης προορίζεται μόνο για αναπαραγωγή μουσικής. Η υποδοχή USB προορίζεται μόνο για αναπαραγωγή μουσικής. Υποστηρίζονται τα περισσότερα αρχεία MP3 και δεν είναι δυνατή η αναπαραγωγή άλλων μορφών μουσικής.
- 4 Η αναπαραγωγή από το έξυπνο τηλέφωνο μέσω του καλωδίου USB και από τις κωδικοποιημένες συσκευές USB δεν μπορεί να εξυπηρετηθεί από αυτή τη συσκευή.

### Χειρισμός της σύνδεσης AUX

Στη συσκευή διαθέσιμη είναι η σύνδεση AUX 3,5 mm για σύνδεση της συσκευής αναπαραγωγής MP3 και άλλων πηγών με σκοπό την ενίσχυση του σήματος ραδιοφώνου.

1. Πατήστε το κουμπί τρόπου λειτουργίας αναμονής / λειτουργίας για να επιλέξετε τον τρόπο AUX.
2. Συνδέστε το καλώδιο audio (δεν συμπεριλαμβάνεται στο σετ) στην υποδοχή AUX IN, και συνδέστε το άλλο άκρο με την υποδοχή AUDIO OUT της εξωτερικής πηγής ήχου. Η συσκευή αυτόματα θα μεταβεί στον τρόπο AUX.
3. Ρυθμίστε το ζητούμενο επίπεδο έντασης ήχου σε αυτή τη συσκευή.
4. Πατήστε το κουμπί αναπαραγωγής της εξωτερικής πηγής σήματος ήχου (π.χ. της συσκευής αναπαραγωγής MP3) για να αρχίσετε την αναπαραγωγή.

### Προδιαγραφές

Τροφοδοσία: AC100-240V ~ 60 / 50Hz

DC 9V UM-1 x 6τεμ.. (οι μπαταρίες δεν συμπεριλαμβάνονται στο σετ)

Βάρος περίπου 1.46 kg

Διαστάσεις περίπου 285 mm (W) x 213 mm (D) x 140 mm (H)

Θερμοκρασία εργασίας + 5ο C - +45ο C

Ζώνη FM 87,5-108 MHz

Μέγιστη χωρητικότητα των εξυπηρετούμενων μνημών USB - 32 GB

Λέιζερ 3 - δεσμές

Ζώνη μεταφοράς 100 Hz - 16KHz

Σύστημα καταγραφής 2 κανάλια (στερεό)

Σύστημα Bias System DC Bias

Φάσμα μεταφοράς 125 - 6,3 KHz

Wow and flutter 0.35% WRMS (JIS)

Ισχύς εξόδου 1,5 W x 2

Λήψη ισχύος 13 Watt

Λήψη ισχύος στον τρόπο αναμονής <0.5W

(οι παραπάνω προδιαγραφές μπορεί να μεταβληθούν χωρίς προγενέστερη προειδοποίηση)



**OHUTUST KÄSITLEV OLULINE TEAVE****HOIATUS**

**ELEKTRILÖÖGI OHT  
MITTE AVADA**

**Ohutust käsitlev oluline teave****Hoiatus:**

Elektrilöögi ohu vähendamiseks ei tohi seadme katet ega tagumist osa lahti monteerida. Seadmes ei ole kasutajapoolseks iseseisvaks parandamiseks ette nähtud elemente. Seadme hoolduse ja parandamisega tegelevad ainult teeninduse kvalifitseeritud töötajad.

**Graafiliste sümbolite selgitus:**

Välgunoole sümbol võrdkõlgses kolmnurgas hoiatab kasutajat seadme sees esinevast isoleerimata „ohtlikust pingest”, mis võib saavutada elektrilöögi ohuga ähvardava tugevuse.



Hüüumärk võrdkõlgses kolmnurgas hoiatab kasutajat sellest, et antud hetkel edastatakse seadmega kaasas olevas dokumendis seadme teenindust ja hooldust käsitlevat olulist teavet.

Enne seadme teenindamise alustamist palume käesolev juhend, selle funktsioonidega tutvumiseks ja sihtotstarbeliseks kasutamiseks, läbi lugeda. See tagab seadme kauakestva, riketeta teeninduse ja kasutusrõõmu.

**Oluline informatsioon**

- Teenindusjuhend ja ohutust käsitlev teave tuleb edaspidiseks kasutuseks säilitada.
- Ei tohi lasta tekkida olukorral, kui seadmele või selle sisemusse tilgub vesi.
- Samuti ei tohi seadet kasutada niisketes kohtades, nagu nt vannituba.
- Antud seadet ei tohi paigaldada järgnevasse kohtadesse:
- Mis on avatud päikesekiirguse vahetule toimele või radiaatorite lähedusse.
- Asetada muu, soojust eraldava, stereofoonilise varustuse peale.
- Blokeerides ventilatsiooni või tolmusesse kohta.
- Pidevale vibratsioonile allutatud kohtadesse.
- Kõrge niiskustasemega kohtadesse.
- Seadet ei tohi asetada küünalde või avatud tule lähedusse.
- Seadet võib kasutada ainult käesolevas juhendis kirjeldatud viisil.
- Enne toite esimest sisselülitamist tuleb veenduda, et toide oleks õigesti ühendatud.
- USB mälu ühendatakse vahetult või kuni 25 cm pikkuse USB pikendusjuhtmega.

Ohutuse seisukohalt ei tohi korpuseid lahti võtta ega üritada seadme sisemusse tungida. Seadet võivad parandada ainult teeninduse kvalifitseeritud töötajad. Seadet ei tohi lahti keerata ega selle korpust avada, sest selles ei ole kasutaja poolt parandatavaid osi. Seadme hoolduse ja parandamisega tegelevad ainult teeninduse kvalifitseeritud töötajad.

**OHUTUST KÄSITLEV OLULINE TEAVE**

1. Lugeda juhend läbi – enne seadme kasutamist alustamist tuleb kogu teenindusjuhend ja ohutust käsitlev teave läbi lugeda.
2. Säilitada juhend – kasutus- ja teenindusjuhend tuleb edaspidiseks kasutuseks säilitada.
3. Järgida hoiatusi – toimida kooskõlas kõikide seadmel paiknevate hoiatuste ja teenindusjuhendiga.
4. Järgida juhiseid – toimida kooskõlas teenindusjuhendi ja kasutajale mõeldud juhistega.
5. Paigaldus – paigaldada seade kooskõlas tootja juhistega.
6. Toiteallikad – seadme toiteks peab kasutama ainult toitekaabli märgistustel antud parameetritega allikaid. Juhul kui kasutaja ei ole kindel kodus oleva toite liigis, peab ta ühendust võtma seadme müüja või kohaliku elektrienergia tarnijaga.
7. Toite maandus ja polaarsus – seade ei pea olema maandatud. Vältimaks tihvtide või klemmide paljastumist veenduda, et pistik oleks võrgupesasa või pikendusse sisestatud lõpuni. Mõned seadme versioonid võivad olla varustatud vahelduvvoolu polaarse pistikuga (üks tihvt laiem). Selliseid pistikuid võib sisestada võrgupesasa ainult ühel viisil. See on kaitsefunktsioon. Kui pistikut ei saa pesa sisestada tuleb proovida seda pöörata. Kui pistik ei sobi ka siis pesaga tuleb elektrikult tellida selle väljavahetamine. Polaarselt pistikult ei tohi kaitseid eemaldada. Kasutades muud pikendusjuhet või toitekaablit, kui seadmega koos tarnitavat, peavad neil olema asjakohased pistikud ja antud riigis nõutav ohutustunnistus.
8. Toitekaabli kaitse – toitekaabel tuleb vedada nii, et selle peal ei oleks võimalik kõndida, seda suruda või asetatud esemetega vigastada. Pöörata erilist tähelepanu pistikutele, võrgupesadele ja kohtadele, kus kaabel läbi veetakse.
9. Ülekoormamine – seinakontakte, pikendusjuhtmeid ja vargapesasid ei tohi üle koormata, sest see ohustab tulekahju puhkemise või elektrilöögi.
10. Ventilatsioon – seadet tuleb korralikult ventileerida. Seadet ei tohi asetada voodile, diivanile või muudele sarnastele pindadele. Seadet ei tohi katta laualinade, salvrätikute, ajalehtede jms.
11. Soojus – mitte asetada seadet soojusallikate, nagu radiaatorid, kiirgurid, ahjud või muud soojust eritavad seadmed (ka võimendid), lähedale. Mitte asetada seadmele põlevaid küünlaid ja muid avatud tule allikaid.
12. Vesi ja niiskus – tulekahju või elektrilöögi ohu vähendamiseks ei tohi seadet vihma, vee ja niiskuse vahetule toimele, nagu nt saunas või vannitoas, allutada. Mitte kasutada käesolevat seadet vee, näiteks vanni, kraanikausi, köögivalamu või pesupali, läheduses, niiskes keldris või basseini juures (või sarnastes kohtades).
13. Esemed ja vedelikud seadmes – läbi seadme avade ei tohi sisse suruda mingeid esemeid, sest need võivad kokku puutuda ohtliku pinge punktidega, mis omakorda võib põhjustada tulekahju või elektrilöögi. Mitte mingil juhul ei tohi seadme pindadele mingeid vedelikke kallata. Seadmele ei tohi asetada vedelikke sisaldavaid esemeid.
14. Puhastamine – enne puhastamist tuleb seade alati võrgupesast lahti ühendada. Kõlari ümbrusest võib tolmu eemaldada kuiva lapiga. Kasutades puhastamiseks aerosooli ei tohi pritsimisvoogu suunata vahetult seadmele vaid lapile. Tuleb jälgida, et ajamiüksused kahjustusi ei saaks.
15. Täiendav varustus – keelatud on kasutada tarvikuid, mis ei ole tootja poolt lubatud, sest võivad osutada ohuallikateks.
16. Tarvikud – seadet ei tohi asetada ebastabiilsele kärule, alusraamile, statiivile, tugialusele või lauale. Seade võib ümber kukkuda ja saada kahjustusi ning vigastada tõsiselt last või täiskasvanut. Kasutada ainult tootja poolt määratletud või koos seadmega müüdavaid kärusid, alusraame, statiive, tugialuseid või laudu. Seadme paigaldust tuleb teostada kooskõlas tootja juhistega, kasutades tootja poolt soovitatud paigalduskomplekti.
17. Seadme teisaldamine – kärule paigutatud seadet tuleb sõidutada väga ettevaatlikult. Äkiline pidurdamine, ülemäärane jõud või ebatasane pind võivad põhjustada käruga ja seadme ümbermineku.
18. Seadme mittekasutamise periood – toitekaabel tuleb äikesetormide ajal või kui seadet pikema aja jooksul ei kasutata võrgupesast lahti ühendada.

19. Teenindus – keelatud on seadme ülevaastust omakäeliselt läbi viia. Avatud katted võivad põhjustada kokkupuudet ohtliku pingega ja osutada ohtlikuks. Seadme hoolduse ja parandamisega tegelevad ainult teeninduse kvalifitseeritud töötajad.
20. Kui seadet ei kasutata, tuleb selle pistik võrgupesast lahti ühendada. Toiteallikaga ühendatuna on seade ooterežiimis ja ei ole täielikult välja lülitatud.
21. Varuosad – osade väljavahetamisel tuleb kontrollida kas teeninduse töötaja on kasutanud tootja poolt soovitatud varuosi või kas osad on originaalosadega identsed. Väljavahetamine kinnitamata osade vastu ohustab tulekahju puhkemise, elektrilöögi ja muude turvariskidega.
22. Peakaitsmed – seadme alaliseks tulekahjuvastaseks kaitseks tuleb kasutada õiget tüüpi ja asjakohaste parameetritega kaitsmeid. Antud pingeaala kaitsmete parameetrid on märgitud seadmele.
23. Helitugevust ei tohi muusikapala vaikse osa kuulamisel või audio sisendsignaali puudumisel tõsta. Vastasel juhul võib signaali äkiline tugevnemine kõlarit kahjustada.
24. Seadme toiteallikast täieliku lahtiühendamise ainsaks viisiks on toitekaabli toitepesast või seadmest eemaldamine. Võrgupesast või toitekaabli seadme sisend peavad toote kasutamise käigus alati juurdepääsetavad olema.
25. Seade tuleb paigutada võrgupesast või pikendusjuhtme lähedusse nii, et need oleks alati juurdepääsetavad.
26. Seadme keskkonna maksimaalne temperatuur võib olla kuni 35°C.
27. Elektrostaatilisi lahendusi puudutavad juhised – kui seadme töö on häiritud elektrostaatilistest lahendustest tuleb see välja lülitada ja seejärel uuesti sisse lülitada või teise kohta ümber tõsta.
28. Patareid
  - a. Patareid ei tohi allutada ülemäärase soojuse, nagu nt päikesekiired, tuli jms, toimele.
  - b. Patareid utiliseerimisel tuleb pöörata tähelepanu keskkonnakaitse aspektidele.
  - c. Patareid kasutamist puudutav hoiatus: patareidel ei tohi lasta kuluda kuni lekkimiseni, mis võib põhjustada kehavigastusi ja seadme kahjustusi:
    - Patareid sisestamisel pöörata tähelepanu nende polaarsusele (+ ja -).
    - Ei tohi kasutada samaaegselt erinevaid patareid — vanu ja uusi, standardseid ja alkaalpatareid, jne.
    - Kui seadet pikema aja jooksul ei kasutata, tuleb patareid välja võtta.

## HOIATUS

Seadet ei tohi kasutada piiratud füüsiliste, sensoorsete ja psüühiliste võimetega või seadmega töötamise kogemusi või teadmisi mitte omavad inimesed (sealhulgas lapsed), kui nad ei viibi nende ohutuse eest vastutavate isikute järelevalve all või kui neid ei ole seadme ohutu kasutamise teemal instrueeritud. Kui seadet teenindavad lapsed, on nõutav täiskasvanute kohaolek; see võimaldab tagada seadme ohutu kasutuse.

1. Keelatud on töötavat seadet järelevalveta jätta! Kui seadet isegi lühikese aja jooksul ei kasutata, tuleb see välja lülitada.
2. Seadet ei tohi teenindada taimeriga välise kella vahendusel ega eraldiasetseva kaugjuhtimisega süsteemi abil.
3. Toitejuhtme kahjustuste korral ohtude vältimiseks peab väljavahetamist teostama tootja, autoriseeritud teeninduspunkt või muu, asjakohast kvalifikatsiooni omav isik.
4. Enne seadme teenindamise juurde asumist tuleb veenduda, et selle pinge vastab kohalikus toitevõrgus esinevale pingele.
5. Seadme ventilatsioonivavad ei tohi kinni katta, nt ajalehtede, laualina, kardinatega, jms. Tuleb veenduda, et seadme kohal on vähemalt 20 cm vaba ruumi ja selle igal küljel — vähemalt 5 cm.
6. Ei tohi lasta tekkida olukorral kui seadmele või selle sisemusse tilgub või voolab vedelik ega tohi sellele asetada vedelikega täidetud esemeid, selliseid nagu vaasid.
7. Tulekahju või elektrilöögi vältimiseks tuleb seadet kaitsta kuumade kohtade, vihma, niiskuse ja tolmu toime eest.
8. Seadet ei tohi paigutada mingite veeallikate, nt kraanide, vannide, pesumasinate või ujumisbasseinide lähedusse. Seade tuleb asetada tasasele ja stabiilsele aluspinnale.
9. Seadet ei tohi allutada tugevate magnetväljade toimele.

10. Vahetult võimendile või vastuvõtjale seadet asetada ei tohi.
11. Seadet ei tohi viia niiskesse kohta, sest niiskusel on elektrilistele allüksustele kahjulik mõju.
12. Peale seadme külmast sooja või niiskesse kohta toomist võib mängija sees olevale läätsel tekkida niiskuse kondensatsioon. Sellises olukorras seade korralikult tööle ei hakka. Niiskuse aurumise võimaldamiseks tuleb sisselülitatud seade jätta umbes tunniks ajaks seisma.
13. Seadet ei tohi puhastada keemiliste lahustitega, sest need võivad kahjustada korpuse lakikihti. Seadet pühitakse puhta, kuiva või vähesel määral niisutatud lapiga.
14. Pistiku seinakontaktist eemaldamisel tuleb alati tõmmata pistikust, mitte aga toitekaablist.
15. Kui sisselülitatud seadet kasutatakse sisselülitatud teleri läheduses võib see osutada ekraanil joontena nähtavate häirete allikaks. Sõltub TV ülekande laineribast. See ei tähenda aga ei seadme ega teleri väärat töötamist. Selliste joonte ilmnemisel tuleb seade telerist eemale nihutada.
16. Võrgupistikut kasutatakse toitepinge lahti ühendamiseks ja see peab alati juurdepääsetav olema.
17. CD plaatide esitamise laserpea puhtana hoidmiseks ei tohi seda puutada ja plaadialv tuleb alati suletuna hoida.
18. Mängimise ajal pöörleb plaat suure kiirusega. Muusika esitamise ajal EI TOHI seadet tõsta ega liigutada, sest selline tegevus võib põhjustada plaadi või seadme kahjustusi.
19. Enne seadme teise kohta viimist või kolimise ajaks tuleb plaat välja võtta ja plaadialv sulgeda. Seejärel tuleb välja lülitada toide ja ühendada lahti toitekaabel. Seadme teisaldamine plaadiga salves võib põhjustada selle kahjustusi.
20. Peale plaadi mängimist tuleb see panna oma pakendisse. Plaat ei tohi jätta päikesekiirte ja soojusallikate vahetusse mõjuvalda. Plaat ei tohi jätta lauspäikese alla pargitud autosse.
21. Ei tohi puutada plaatide etiketita pooli. Sõrmejälgede vältimiseks hoida plaati servast. Tolm, sõrmejäljed või kriimustused võivad põhjustada mängija väärat töötamist. Plaadile ei tohi kleepida silte või isekleepuvat teipi.
22. Plaadid puhastamiseks kasutatakse puhast, ebemeid mitte jätvat lappi. Plaadid puhastatakse selle keskosast äärte suunas kulgevate sirgjooneliste liigutustega, kasutades selleks üldjuurdepääsetavaid vinüülplaatide puhastusvahendeid.
23. Võimalike kuulmiskahjustuste vältimiseks ei tohi muusikat pikemat aega valjult kuulata.



#### HOIATUS: KIIRGUSE ALLIKAS

CLASS 1 LASER PRODUCT  
 LUOKAN 1 LASERLAITE  
 KLASS 1 LASERAPPARAT

#### ENNETÖÖ ALUSTAMIST

Märkused: kompaktplaate puudutavad.

Kuna määrdunud, kahjustatud või deformeerunud plaadid võivad põhjustada seadme kahjustusi, tuleb tähelepanu pöörata järgnevatel elementidele:

- a. Kasutamiskõlblikud kompaktplaadid. Kasutada võib ainult allpool märgitud plaate.
- b. CD plaadid ainult digitaalse audioheliga.



**TÄHELEPANU****Deklaratsioon**

Blaupunkt Competence Center 2N-Everpol Sp. z o.o. teavitab käesolevaga, et seade vastab direktiivi 2014/53 / EL nõuetele ja selle muudele asjakohastele sätetele. Täielik vastavusdeklaratsioon asub leheküljel [www.blaupunkt.com](http://www.blaupunkt.com) toote järjehoidjas.

Vastutav ettevõtte: 2N-Everpol Sp. Z O.O.

Puławska 403A, 02-801 Varssavi, Poola

Telefon: +48 22 331 99 59, e-mail: [info@everpol.pl](mailto:info@everpol.pl)



Toode on toodetud kõrgkvaliteetsetest taastootmisesse suunatavatest ja taaskasutatavatest materjalidest ning allüksustest.



Seadmel paiknev läbitõmmatud prügikorvi sümbol tähendab, et toode on hõlmatud Euroopa direktiivi 2012/19/EU sätetega. Tutvuda kohaliku süsteemi elektriliste ja elektrooniliste jäätmete käitlemist puudutavate nõuetega. Toimida kooskõlas kehtivate eeskirjadega. Käesolevat toodet ei tohi ära visata koos tavaliste olmejäätmetega. Vana toote õige kõrvaldamine väldib potentsiaalseid looduskeskkonnale ja inimtervisele kahju tekitavaid tagajärgi.



Seade on varustatud Euroopa direktiiviga 2006/66/EC hõlmatud patareidega. Patareide äraviskamine koos kodumajapidamisjäätmetega on keelatud. Tutvuda patareide eraldiasetsevalt kogumist käsitlevate kohalike eeskirjadega, sest õige utiliseerimine väldib potentsiaalseid looduskeskkonnale ja inimtervisele kahju tekitavaid tagajärgi.

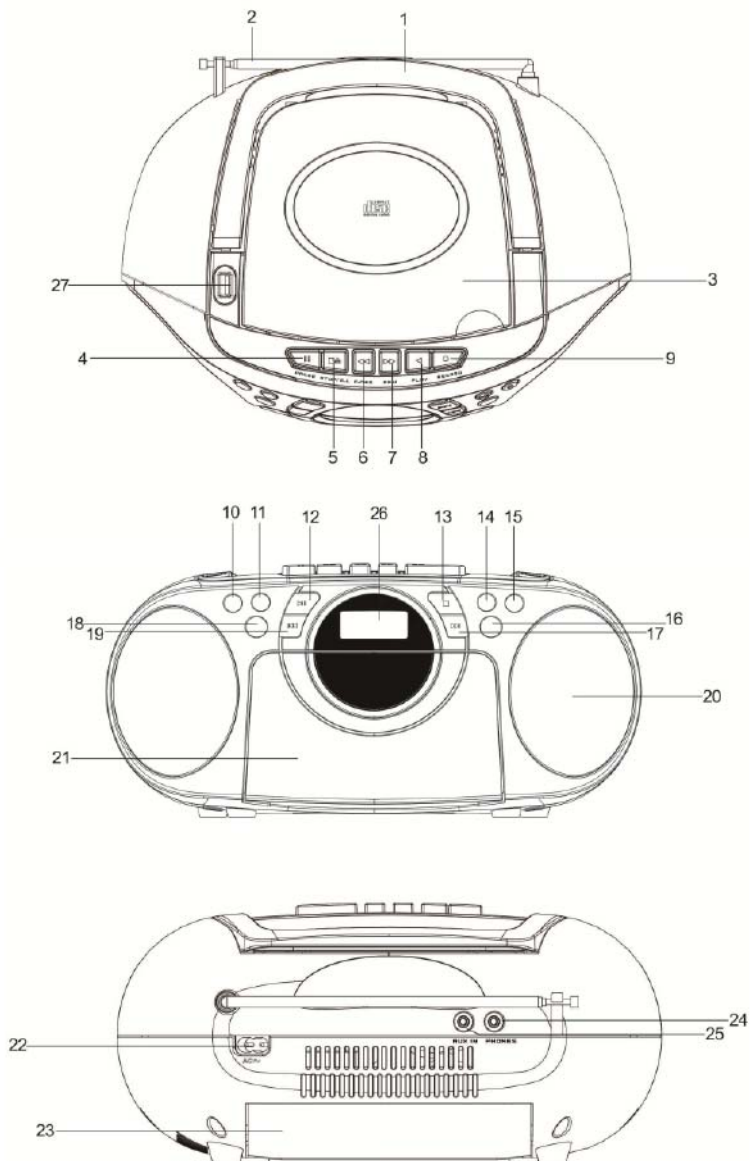
**Looduskeskkonna kaitset käsitlev teave**

Pakend sisaldab ainult vajalikke elemente. Tehtud on kõik endast olenev, et kolm koostismaterjali oleks hõlpsasti eraldatavad: papp (kast), polüstüreenvaht (seesmine kaitse) ja polüetüleen (kotid, kaitsepoogen). Toode on toodetud materjalidest, mida saab suunata taastootmisesse ja peale nende eriotstarbelise ettevõtte poolt demonteerimist, uuesti kasutada. Järgida pakendmaterjalide, patareide ja kasutatud seadmete utiliseerimist käsitlevaid kohalikke ettekirjutusi.

Materjalide salvestamiseks ja esitamiseks võib vaja minna nõusolekut. Tutvuge autoriõiguse ja esinejate/kunstnike õiguste seadusega.



## JUHTELEMENTIDE ASETUS



### Kasutamise elemendid

1. Sang;
2. Antenn FM;
3. Kaas CD;
4. Nupp Paus;
5. Nupp Stopp/Väljalükkamine;
6. Edasikerimise nupp;
7. Tagasikerimise nupp;
8. Taasesitamise nupp;
9. Salvestuse nupp;
10. Nupp 10 / Fold / M.- ;
11. Nupp 10 / Fold / M. +;
12. Nupp Taasesitamise/paus;
13. Nupp Stopp;
14. Helitugevuse vähendamise nupp;
15. Helitugevuse suurendamise nupp;
16. Ooterežiimi/funktsiooni nupp;
17. Nupp Järgmine / Tune +;
18. Programmeerimise / mälu / taasesitamise režiimi nupp;
19. Nupp Eelmine / Tune -;
20. Kõlar;
21. Kasseti pesa;
22. AC pesa;
23. Patareipesa;
24. Kõrvaklappide pesa;
25. AUX pesa;
26. Displei LCD;
27. USB-port;

### TOITEALLIKAS

Seadet saab toita elektri- või patareitoitega.

### Elektritoide

Ühendage üks toitejuhtme pistik seadme pesasse, teine pistik seinakontakti. Patareid ühendatakse lahti automaatselt.

### Patareitoide

Avage patareipesa kaas. Paigaldage 6 patareid UM-1/D (ei ole lisatud komplekti) pesasse. Pidage kinni pooluste märgistustest.

### HOIATUS

Võtke patareid seadmest juhul, kui te ei kasuta seda pikemat aega. Patareid sisaldavad keemilisi aineid, seepärast tuleb neid utiliseerida nõuetekohaselt.

### PEAMISED FUNKTSIOONID

#### Seadme sisselülitamine

Pärast toite ühendamist vajutage seadme sisse lülitamiseks ooterežiimi / funktsiooni nupule, seejärel vajutage ooterežiimi / funktsiooni nupule, et valida CD / USB / AUX / TAPE või RADIO režiim. Pikk ooterežiimi / funktsiooni nupule lülitab seadme välja.

MÄRKUS: CD / USB / AUX / TAPE režiimil, kui seade ei taasesita muusikat 60 minuti jooksul, lülitub see automaatselt üle ooterežiimile. Kasseti taasesitamise režiimil läheb seade automaatselt üle ooterežiimile, kui kassetti ei mängita 60 minuti jooksul. Seadme uuesti sisse lülitamiseks vajutage ooterežiimi / funktsiooni nupule või ühendage seade uuesti toitevõrku.

**Elektrostaatilisi lahendusi puudutavad juhised** – kui seadme töö on häiritud elektrostaatiliste lahenduste tõttu, tuleb seade välja lülitada ja uuesti sisse lülitada.

### Helitugevuse reguleerimine

Helitugevuse suurendamiseks või vähendamiseks vajutage nupule VOL. + / -.

### Kõrvaklappide pesa

Diskreetseks kuulamiseks ühendage kõrvaklapid pistikuga 3,5 mm (ei ole komplektis) kõrvaklappide pesa. Kõlari väljund lülitub välja automaatselt.

Hoiatus: Liiga pikk kõrvaklappide kasutamine suure helitugevuse juures võib avaldada kahjulikku mõju kuulmisele.

### FM raadio kasutamine

Enne raadio kuulamist tuleb FM antenn täielikult välja lükata ja asetada seade võimalikult akna lähedale, et saavutada parem signaali vastuvõtmine; vajutage ooterežiimi / funktsiooni nupule, et minna üle FM raadio režiimile.

1. FM raadiojaamade otsing ja skaneerimine: vajutage lühidalt nupule Tune +/- FM lainepikkuste suurendamiseks või vähendamiseks FM 0,05 MHz võrra. Vajutage ja hoidke all nuppu Tune +/- 2 sekundit, et automaatselt skaneerida ja kuulata saadaval olevaid raadiojaamu sagedusalal üles ja alla; vajutage ja hoidke seda all, et skaneerida järgmist raadiojaama.
2. Manuaalne raadiojaamade salvestamine: Pärast lemmikjaama väljalikut nupuga Tune +/- vajutage nupule programmeerimine / mälu / taasesitamise režiim, et alustada programmeerimist; vajutage nupule 10 / fold / M.- või 10 / fold / M. +, et valida välja number, mille alla tahate antud raadiojaama salvestada (maksimaalne programmeeritavate jaamade arv - 40), vajutage uuesti nupule programmeerimine / mälu / taasesitamise režiim, et valikut kinnitada; raadiojaam salvestatakse antud numbrile alla.
3. Automaatne raadiojaamade salvestamine (automaatne kuni 40 raadiojaama skaneerimine ja salvestamine): Vajutage lühidalt taasesitamise / pausi nupule, et käivitada saadaval olevate raadiojaamade automaatse skaneerimise ja salvestamise režiim; vajutage lühidalt nupule 10 / fold / M.- või 10 / fold // M. +, et valida salvestatav raadiojaam.

### MAGNETOFONI KASUTAMINE

#### Muusika taasesitamise kassetilt

Enne kasseti seadmesse panekut tuleb pingutada linti. Pange kasseti avasse pastapliiats või harilik pliats ja keerake seda, et pingutada linti. Vajutage peatamise/avamise nupule, et avada kasseti pesa.

Pange kassett pesasse (nähtava lindiga pool ülespoole ja täidetud poolega vasakule poole), suruge lõpuni ja sulgege pesa. Ärge puudutage linti. Pange lindi lüliti asendisse TPAE ja vajutage kasseti taasesitamise nupule. Taasesitamise peatamiseks vajutage peatamise/avamise nupule. Kasseti välja võtmiseks vajutage uuesti peatamise/avamise nupule.

### AUTOSTOPP

Kui lint taasesitamise või salvestamise ajal lõppeb, vabastab automaatse peatamise süsteem taasesitamise või salvestamise nupu. Automaatse peatamise süsteem põhjustab, et sisseehitatud raadiost või CD-mängijast salvestamise ajal autostopp funktsioon peatab salvestamise režiimi, kui lint jõuab lõpuni ja raadio või CD-mängija töötab edasi.

### Raadio salvestamine

1. Pange tühi lint kassetipessa ja sulgege kaas.
2. Vajutage ooterežiimi / funktsiooni nupule, et valida FM raadio režiim.
3. Valige välja soovitud jaam, vajutades nupule järgmine / TUN. + või eelmine / TUN.-.
4. Vajutage salvestamise nupule, et alustada salvestamist. Salvestamise ja taasesitamise nupp lülituvad sisse samaaegselt.
5. Salvestamise lõpetamiseks vajutage nupule stopp / väljalükkamine.
6. Et kuulata, mis salvestati kassetile, toimige vastavalt kasseti taasesitamist puudutavatele juhistele.

### Salvestamine CD-It / USB / AUX

1. Pange kassetipessa tühi lint ja sulgege kaas.
2. Vajutage ooterežiimi / funktsiooni nupule, et valida CD, USB või AUX režiim.
3. Pange sisse CD või sisestage USB seade või väline audioseade AUX pesasse ja valige soovitud pala, mille tahate salvestada.
4. Taasesitamise alustamiseks vajutage nupule taasesitamine / paus. Vajutage salvestamise nupule, et alustada salvestamist. Salvestamise ja taasesitamise nupp lülituvad sisse samaaegselt.
5. Salvestamise katkestamiseks või muutmiseks vajutage nupule paus. Seejärel vajutage seda uuesti, et salvestamine uuesti käivitada.
6. Salvestamise lõpetamiseks vajutage nupule stopp / väljalükkamine.
7. Et kuulata, mis salvestati kassetile, toimige vastavalt kasseti taasesitamist puudutavatele juhisteile.

### Kassettide liigid

Kasutage salvestamiseks eranditult kõrgekvaliteetseid kassette (IEC TYPE 1). Selle seadmega ei ole soovitatav kasutada kassette C120.

### Magnetofoni mehhanismi eest hoolitsemine

Seadme iga 10 töötunni tagant tuleb puhastada pead ja surveratast/rulli.



Helipea ja rulli pind on õrnad ja neid ei tohi puudutada metallist esemetega, nn kruvikeerajaga. Magnetofoni allüsteeme on lihtsam puhastada, vajutades taasmängimise nupule, et välja lükata pea ja surverull. Pärast mehhanismi puhastamist tuleb vajutada peatamise nupule. Pärast toite väljalülitamist ja taasesitamise nupu sisse jätmist võib tekkida rulli kahjustus. Mitte mingil juhul ei tohi seadme osasid määrada.

### CD/MP3 KASUTAMINE

Plaadid, mida saab taasesitada

Seade võimaldab kõikide audio CD-de taasesitamist, lõpetatud MP3, WMA CD-R digiplaatide, lõpetatud audiodigiplaatide CD-R ja CD-DA vormingus CD/CD-R/CD-RW plaatide taasesitamist.

### Plaadi sisestamine

1. CD režiimi valikuks vajutage ooterežiimi / funktsiooni nupule.
2. Avage CD-plaadi pesa. Displeile ilmub teade „OPEN“.
3. Pange plaat pesasse (etiketiga üles).
4. Sulgege plaadipesa kaas. Palade koguarvu kuvatakse ekraanil pärast lugemise lõpetamist.
5. CD-plaadi väljavõtmiseks vajutage nupule stopp ja avage kaas, võtke plaadi äärest kinni ja võtke see välja.

### Märkus:

1. Seadme õige töö tagamiseks tuleb oodata, kuni mängija on plaadi lugemise lõpetanud.
2. Kui mängijas plaati ei ole või plaat on sisestatud taguripidi (etiketiga allapoole), kuvatakse displeil teadet „NO CD“.

### Plaadi taasesitamine

Pärast plaadi sisestamist algab taasesitamine automaatselt palast 1.

Taasesitamise peatamiseks vajutage nupule taasesitamine / paus. Taasesitamise näidik hakkab vilkuma ja jooksva pala number ilmub displeile.

Taasesitamise käivitamiseks vajutage uuesti nupule taasesitamine / paus.

Taasesitamise lõpetamiseks vajutage nupule Stopp, displeile ilmub palade koguarv.

### Soovitud pala/koha valik

#### Soovitud pala valik

Vajutage mitu korda nupule järgmine / TUN. + või eelmine / TUN-. kuni kuvatakse soovitud pala numbrit.

### Kindla koha leidmine palas taasesitamise ajal (otsing muusikapalas suure kiirusega)

Vajutage ja hoidke all nuppu järgmine / TUN. + või eelmine / TUN-. et kerida jooksvat pala suure kiirusega kindla kohani, seejärel vabastage nupp. Taasesitamine algab sellest kohast.

### Pala valimine, mille number on 10 suurem (puudutab ainult MP3 plaate)

Selleks et valida 10 suurema numbriga pala/rada, vajutage nupule 10 / fold / M.- või 10 / fold / M. +, et hüpata ettepoole/tahapoole 10 pala võrra, seejärel vajutage nupule järgmine / TUN. + või eelmine / TUN-., et valida valitud pala. Nt selleks, et valida 17 pala, vajutage nupule 10 / fold / M. +, seejärel kuus korda nupule järgmine / TUN. +.

### Soovitud kausta valik (ainult siis, kui MP3 plaat sisaldab rohkem kui üht kausta)

Selleks, et mööduda soovitud kaustast taasesitamise ajal, vajutage ja hoidke all nuppu 10 / fold / M.- või 10 / fold / M. + umbes 2 sekundit, et minna edasi järgmise/eelmise kausta juurde.

### Radade programmeerimine

Programmeerimine on võimalik üksnes peatamise režiimil. Mängija mällu võib programmeerida suvalises järjestuses 20 CD pala/99 MP3 pala.

1. Vajutage peatamise režiimil nupule programmeerimine / mälu / taasesitamise režiim; vilkuma hakkab sümbol „PROG“ ja lülitub sisse näidik „P01“.
2. Vajutage nupule järgmine / TUN. + või eelmine / TUN-, et valida välja esimene salvestatav pala.
3. Vajutage nupule programmeerimine / mälu / taasesitamise režiim, et seda kinnitada. Displeil kuvatakse teadet „P02“.
4. Korda punktide 2 ja 3 juhiseid, et salvestada teisi palasid, kuni kõik palad on salvestatud.
5. Vajutage nupule taasesitamine / paus, et käivitada taasesitamine esimesest salvestatud palast alustades.
6. Vajutage nupule stopp, et peatada programmeeritud taasesitamine.

### Mälu (taasesitamise programmi) kustutamine

Programmi on võimalik kustutada kahel viisil:

1. Vajutage peatatud taasesitamise ajal nupule stopp või
2. Avage plaadi pesa – programm kustutatakse.

### Kordamise funktsioon (REPEAT)

Ühe pala kordamiseks

1. Vajutage üks kord taasesitamise ajal nupule programmeerimine / mälu / taasesitamise režiim; displeile ilmub sümbol „R“, mis hakkab vilkuma. Jooksvat pala hakatakse kordama mitmekordselt kuni nupule stopp vajutamiseni.
2. Kordamise funktsiooni tühistamiseks vajutage nupule programmeerimine / mälu / taasesitamise režiim kuni hetkeni, mil sümbol „R“ kaob LCD displeilt.

### Kõikide palade kordamine

1. Vajutage taasesitamise ajal nupule programmeerimine / mälu / taasesitamise režiim, kuni displeile ilmub sümbol „R“; kõiki plaadil olevaid palasid hakatakse kordama kuni nupule stopp vajutamiseni.
2. Kordamise funktsiooni tühistamiseks vajutage nupule programmeerimine / mälu / taasesitamise režiim kuni hetkeni, mil sümbol „R“ kaob LCD displeilt.

### Jooksva kausta kordamine (ainult MP3)

1. Vajutage taasesitamise ajal nupule programmeerimine / mälu / taasesitamise režiim kuni displeile ilmub sümbol „FOLDER“; jooksvat kausta hakatakse kordama kuni nupule stopp vajutamiseni.
2. Kordamise funktsiooni tühistamiseks vajutage nupule programmeerimine / mälu / taasesitamise režiim kuni hetkeni, mil sümbol „FOLDER“ kaob LCD displeilt.



### Juhuslike palade kordamine

Vajutage taasesitamise ajal nupule programmeerimine / mälu / taasesitamise režiim kuni displeile ilmub sümbol „RDM“; juhuslikku kordamist alustatakse automaatselt järgnevast palast kuni kõikide palade taasesitamiseni, seejärel funktsioon peatub.

Funktsiooni tühistamiseks vajutage üks kord nupule programmeerimine / mälu / taasesitamise režiim.

### Eelmängimine (Intro)

Vajutage taasesitamise ajal nupule programmeerimine / mälu / taasesitamise režiim, kuni displeile ilmub "INTRO", 10-sekundiliste palade fragmentide taasesitamine ja skaneerimine algab automaatselt. Selle funktsiooni tühistamiseks vajutage nupule programmeerimine / mälu / taasesitamise režiim kuni hetkeni, mil displeil kaob sümbol "INTRO".

### USB kasutamine

1. USB režiimi valikuks vajutage nupule ooterežiim / funktsioon.
2. Pange USB-mälu USB pesasse. LCD displei näitab USB-mällu salvestatud palade ja kaustade koguarvu. Pärast USB-mälu lugemist alustab seade automaatselt taasesitamist.
3. Taasesitamise katkestamiseks vajutage nupule stopp. Displei näitab USB-l olevate palade koguarvu.
4. Taasesitamise funktsiooni koos kordamisega (1 pala, kausta ja kõikide palade kordamine) kirjeldati punktis „CD/MP3 KASUTAMINE“.

### Märkus:

- 1 Ärge kasutage USB-mälu ühendamiseks USB pikendusjuhet, kuna see võib põhjustada häireid.
- 2 USB porti saab kasutada ainult muusika taasesitamiseks. Seda ei ole võimalik kasutada suvalise välise seadme laadimiseks.
- 3 Maksimaalne mälu maht, mida toetatakse, on 32 GB. USB-d saab kasutada ainult muusika taasesitamiseks. Toetatud on enamuse MP3 failidest, teisi muusika vorminguid ei ole võimalik taasesitada.
- 4 Antud seade ei pruugi toetada taasesitamist nutitelefoni USB-juhtme abil või kodeeritud USB-seadmetest.

### AUX liidese kasutamine

Seade on varustatud AUX 3,5 mm pesaga MP3-mängija ja teiste allikate ühendamiseks, et tugevdada audiosignaali.

1. AUX režiimi valimiseks vajutage nupule ooterežiim / funktsioon.
2. Ühendage audiojuhe (ei ole komplektis) AUX IN pesa ja selle teine ots välise heliallika pesaga AUDIO OUT. Seade läheb automaatselt üle AUX režiimile.
3. Seadistage antud seadme soovitud helitugevuse tase.
4. Taasesitamise käivitamiseks vajutage välise audiosignaali allika (nt MP3-mängija) taasesitamise nupule.

### Spetsifikatsioon

Toide: AC100-240V ~ 60 / 50Hz  
DC 9V UM-1 x 6 tk (patareid ei ole komplektis)

Kaal u 1,46 kg

Mõõtmed u 285 mm (W) x 213 mm (D) x 140 mm (H)

Töötemperatuur +5 °C - +45 °C

Sageduste vahemik FM 87,5-108 MHz

Maksimaalne toetatud USB mälude maht - 32 GB

3 kiirega laser

Ribalaius 100 Hz - 16KHz

Salvestamise süsteem 2 kanalit (stereofooniline)

Bias System DC Bias

Ribalaius 125 - 6,3 KHz

Wow and flutter 0.35% WRMS (JIS)

Väljundvõimsus 1,5 W x 2

Energiatarve 13 W

Energiatarve ooterežiimil <0.5W

(eelpool kirjeldatud spetsifikatsiooni võidakse muuta ilma etteatamiseta)

**SVARBIOS SAUGOS INSTRUKCIJOS****ĮSPĖJIMAS**

**ELEKTROS SMŪGIO  
GRĖSMĖ  
DRAUDŽIAMA ATIDARYTI**

**Svarbios saugos instrukcijos****Įspėjimas:**

Kad sumažintumėte elektros smūgio riziką, draudžiama išmontuoti įrenginio dangtelį ar galinę dalį. Įrenginyje nėra komponentų skirtų vartotojui savarankiškai taisyti. Techninė priežiūra ir remontas aptarnaujami tik kvalifikuoto techninio personalo.

**Grafinių simbolių paaiškinimas:**

Žaibo simbolis užbaigtas rodykle lygiakraščiame trikampyje įspėja vartotoją apie neizoliuotą "pavojingą įtampą" esančią įrenginio korpuse, kuri gali pasiekti dydį sukeltantį elektros smūgio pavojų.



Šauktuko ženklas lygiakraščiame trikampyje įspėja vartotoją, kad šiame punkte pateikiama svarbi informacija apie įrangos veikimą ir techninę priežiūrą dokumentuose pateikiamuose su įrenginiu.

Prašome perskaityti šias instrukcijas prieš pradėdant įrenginio naudojimą, kad susipažintų su jo funkcijomis ir naudoti jį taip, kaip numatyta. Tai užtikrins ilgalaikį įrenginio veikimą be gedimų ir jo naudojimo malonumą.

**Svarbi informacija**

- Privaloma išsaugoti šias naudojimo instrukcijas ir saugos informaciją būsimam naudojimui.
- Neleiskite skysčiams lašėti ar išsilieti ant įrenginio.
- Draudžiama taip pat naudoti jį drėgnose vietose, pvz. vonios kambaryje.
- Draudžiama įrengti šį įrenginį tokiose vietose:
- Vietos neapsaugotos nuo tiesioginių saulės spindulių ar šalia radiatorių.
- Dėti jį ant viršaus kitos stereofoninės įrangos, kuri išleidžia šilumą.
- Blokuojant ventiliaciją arba dulkėtoje vietoje.
- Vietose, kuriose vyksta nuolatinė vibracija.
- Vietose, kur yra didelė drėgmė.
- Draudžiama dėti įrenginį arti žvakų ar atviros liepsnos.
- Įrenginys gali būti naudojamas tik šiame vadove aprašytu būdu.
- Prieš įjungdami maitinimą pirmą kartą, įsitikinkite, kad srovės adapteris yra tinkamai prijungtas.
- USB atmintinė jungiama tiesiogiai arba su USB pratęsimo laidu iki 25 cm ilgio.

Dėl saugumo priežasčių, draudžiamas gaubtų išmontavimas bei įrenginio vidaus atskleidimas. Įrenginio remontas turėtų būti aptarnaujamas kvalifikuoto techninio personalo. Draudžiama ardyti įrenginį bei atidarinti jo korpusą, nes jo viduje nėra jokių dalių, kurias galėtų naudotojas pataisyti. Techninė priežiūra ir remontas aptarnaujami tik kvalifikuoto techninio personalo.

**SAUGOS INSTRUKCIJOS**

1. Perskaitykite instrukcijas – prieš naudodami įrenginį perskaitykite visą naudojimo instrukciją ir saugos informaciją.
2. Išsaugokite instrukcijas – privaloma išsaugoti naudojimo ir valdymo instrukcijas būsimam naudojimui.
3. Laikykitės įspėjimų – privaloma laikytis visų prietaiso įspėjimų pateiktų ant įrenginio ir vadovautis naudojimo instrukcijomis.
4. Laikykitės instrukcijų – privaloma vadovautis naudojimo instrukcijomis bei nurodymais vartotojui.
5. Diegimas – nustatykite įrenginį pagal gamintojo instrukcijas.
6. Maitinimo šaltiniai – įrenginys turi būti maitinamas tik iš šaltinių, kurių parametrai nurodyti maitinimo laido žymenyse. Jei vartotojas nėra tikras, kokios energijos tipą turi namuose, turėtų susisiekti su savo įrenginio platintoju arba vietiniu elektros energijos tiekėju.
7. Maitinimo šaltinio įžeminimas arba poliarizacija – įrenginys neturi būti įžemintas. Privaloma įsitikinti, kad kištukas yra visiškai įdėtas į elektros tinklo lizdą arba pratęsimo laidą, kad išvengti kaiščių ar kontaktų ekspozicijos. Kai kuriose įrenginio versijose gali būti polarizuotas kintamosios srovės maitinimo kaištis (su vienu platesniu kaiščiu). Šis kištukas gali būti įjungtas į elektros tinklo lizdą tik vienu būdu. Tai apsaugos funkcija. Jei negalite įkišti kištuko į lizdą, pabandykite jį apsukti. Jei kištukas vis dar netelpa į lizdą, elektrikas turėtų jį pakeisti. Draudžiama nuimti apsaugos priemonės nuo polarizuoto kištuko. Jeigu naudojamas pratęsimo laidas ar maitinimo laidas kitokie nei pateikti kartu su įrenginiu, jie turėtų turėti tinkamus kištukus ir saugos sertifikatus reikalaujamam tam tikroje šalyje.
8. Maitinimo laido apsaugos priemonės – maitinimo kabeliai turi būti nuvesti taip, kad po juos negalėtumėte vaikščioti, jų prispausti ar prikirsti padėtais objektais. Atkreipkite ypatingą dėmesį į kištukus, maitinimo lizdus ir vietas, kuriose laidai išvesti iš įrenginio.
9. Perkrovimas – draudžiama perkrauti sieninius lizdus, pratęsimo laidus ir elektros skirstytuvus, nes tai gali sukelti gaisrą arba elektros smūgį.
10. Vėdinimas – įrenginys turi būti tinkamai vėdinamas. Draudžiama dėti įrenginį ant lovos, sofos ar ant panašių paviršių. Draudžiama pridengti įrenginį staltiesėmis, servetėlėmis, laikraščiais ir pan.
11. Šiluma – nedėkite įrenginio arti šilumos šaltinių, tokių kaip šildytuvai, radiatoriai, krosnys ar kiti prietaisai (įskaitant stipriklus), kurie gamina šilumą. Nedėkite ant įrenginio uždegtų žvakių ar kitokių atviros ugnies šaltinių.
12. Vanduo ir drėgmė – norėdami sumažinti gaisro ar elektros smūgio pavojų, saugokite įrenginį nuo tiesioginio lietaus, vandens ir drėgmės poveikio, tokio kaip pvz. saunoje ar vonioje. Nenaudokite šio įrenginio šalia vandens, pavyzdžiui, prie vonios, kriauklės, virtuvės ar kubelio, šlapiame rūsyje arba prie baseino (ar panašiose vietose).
13. Objektai ir skysčiai įrenginyje – draudžiama kišti bet kokius daiktus per įrenginio angas, nes jie gali liestis su pavojingos įtampos taškais ir komponentais, dėl ko gali kilti gaisras arba įvykti elektros smūgis. Griežtai draudžiama išpilti bet kokius skysčius ant įrenginio paviršiaus. Draudžiama dėti ant įrenginio viršaus objektus, kuriuose yra skysčių.
14. Valymas – prieš valydami visada išjunkite įrenginį iš elektros tinklo lizdo. Dulkes aplink garsiakalbį galima nuvalyti sausu skudurėliu. Jei valymui naudojamas aerosolis, nepatartina kreipti purškimo srauto tiesiai į prietaisą, bet ant skudurėlio. Būkite atsargūs, kad nesugadintumėte pavaros įtaisų.
15. Papildoma įranga – draudžiama naudoti priedus, kurie nėra patvirtinti gamintojo, nes jie gali kelti pavojų.
16. Priedai – draudžiama statyti įrenginį ant nestabilaus vežimėlio, stovo, trikojo, atramos ar stalo. Prietaisas gali apsisversti ir susigadinti, bei sunkiai sužeisti vaiką ar suaugusį asmenį. Privaloma naudoti tik gamintojo nurodytus vežimėlius, stovus, trikojus, atramas ar stalus arba parduodamus kartu su įrenginiu. Įrenginio surinkimą privaloma atlikti pagal gamintojo instrukcijas naudodami gamintojo rekomenduojamą surinkimo komplektą.

17. Prietaiso perkėlimas – ant vežimėlio padėtą įrenginį būtina stumti labai atsargiai. Staigus stabdymas, per didelė jėga arba netolygūs paviršiai gali sukelti vežimėlio išsivertimą kartu su įrenginiu.
18. Įrenginio nenaudojimo laikas – atjunkite maitinimo laidą nuo elektros lizdo audros su žaibais metu arba jeigu įrenginys nebus naudojamas ilgą laiką.
19. Techninis aptarnavimas – draudžiama savarankiškai bandyti asmeniškai naršyti įrenginį. Dangčio atidarymas gali sukelti kontaktą su pavojinga įtampa ir sukelti vartotojui kitus pavojus. Techninė priežiūra ir remontas aptarnaujami tik kvalifikuoto techninio personalo.
20. Kai įrenginys nenaudojamas, atjunkite jo maitinimo kištuką nuo elektros lizdo. Kai prietaisas prijungtas prie maitinimo šaltinio, jis veikia budėjimo režime ir nėra visiškai išjungtas.
21. Atsarginės dalys – keičiant dalis, įsitikinkite, kad techninės priežiūros darbuotojas panaudojo gamintojo rekomenduotas atsargines dalis arba kad dalys yra identiškos originalioms dalims. Nepatvirtintų dalių panaudojimas sukelia gaisro, elektros smūgio pavojų ar kitus pavojus.
22. Pagrindiniai saugikliai – kad prietaisas būtų nuolat apsaugotas nuo gaisro, naudokite tinkamo tipo ir parametru saugiklius. Saugiklių parametrai tam tikrame įtampos diapazone yra pažymėti ant įrenginio.
23. Draudžiama didinti garsumą klausydami nedidelio garsumo kūrinio dalies arba nesant įvesties audio signalui. Kitaip garsiakalbis gali sugesti jei signalo stiprumas sparčiai padidėja.
24. Vienintelis būdas visiškai atjungti įrenginį nuo maitinimo šaltinio tai ištraukti maitinimo laidą iš elektros srovės lizdo arba iš įrenginio. Naudojant įrenginį, visada turi būti prieinamas elektros tinklo lizdas arba maitinimo laido įėjimas į įrenginį.
25. Įrenginys turi būti dedamas šalia maitinimo tinklo lizdo arba pratęsimo laido taip, kad jis visada būtų prieinamas.
26. Didžiausia įrenginio aplinkos temperatūra tai 35°C.
27. Patarimai dėl elektrostatinių iškrovų - jei prietaiso veiksmingumas yra veikiamas elektrostatinių iškrovimų, išjunkite jį ir vėl įjunkite arba perkelkite įrenginį į kitą vietą.
28. Baterija
  - a. Baterijos negali būti veikiamos per didelės temperatūros, pavyzdžiui, saulės spindulių, ugnies ir tt.
  - b. Išmesdami baterijas, atkreipkite dėmesį į aplinkosaugos aspektus.
  - c. Įspėjimas dėl baterijų naudojimo: norėdami išvengti baterijų nutekėjimo, dėl kurio galite sužaloti savo kūną ar sugadinti įrenginį:
    - Įdėdami bateriją atkreipkite dėmesį į jos poliarizaciją (+ ir -).
    - Nenaudokite skirtingų baterijų tuo pačiu laiku - senų ir naujų, standartinių ir šarminių baterijų ir kt.
    - Ilgesnį laiką nesinaudojant įrenginiu, išimkite iš jo baterijas.

### ĮSPĖJIMAS

Įrenginiu neturėtų naudotis asmenys (įskaitant vaikus), turintys mažesnes fizines, juslines ar psichines galimybes, ir asmenys, neturintys pakankamai žinių ir patirties, jei jie nėra prižiūrimi asmenų atsakingų už jų saugą, ir nebuvo jiems nurodyta, kaip saugiai naudoti įrenginį. Suaugusių asmenų buvimas reikalingas, jei vaikai naudoja prietaisą; tai užtikrins saugų įrenginio naudojimą.

1. Niekada nepalikite veikiančio įrenginio be priežiūros. Išjunkite prietaisą, kai jis nenaudojamas, net trumpą laiką.
2. Prietaiso negalima valdyti per išorinį laikrodį su sinchronizavimo grandinėmis arba per atskirą nuotolinio valdymo sistemą.
3. Norėdami išvengti pavojaus maitinimo laido sužalojimo atveju, jį pakeisti turėtų gamintojas, įgaliotas aptarnavimo centras ar kitas kvalifikuotas asmuo.
4. Prieš pradėdant įrenginio naudojimą patikrinkite, ar jo įtampa atitinka vietos maitinimo įtampą.



5. Draudžiama uždengti prietaiso ventiliacijos angas, pvz. laikraščiais, staltiese, užuolaidomis ir pan. Įsitikinkite, kad virš įrenginio yra ne mažiau kaip 20 cm laisvos vietos ir bent 5 cm iš kiekvienos jo pusės.
6. Neleiskite, kad ant įrenginio nutektų ar išsilietų skystis, be to, nedėkite ant jo pripildytų skysčiais objektų, tokių kaip vazos.
7. Norėdami išvengti gaisro ar elektros smūgio, apsaugokite prietaisą nuo karštų vietų, lietaus, drėgmės ir dulkių poveikio.
8. Draudžiama statyti įrenginį arti bent kokių vandens šaltinių, pvz. čiaupu, vonių, skalbimo mašinų ar plaukiojimo baseinų. Įrenginį dėkite ant lygaus ir stabilaus paviršiaus.
9. Saugokite įrenginį nuo stipraus magnetinio lauko.
10. Draudžiama statyti įrenginį tiesiai ant stiprintuvo ar AV imtuvo.
11. Draudžiama statyti įrenginį drėgnoje vietoje, nes drėgmė neigiamai veikia elektrinius komponentus.
12. Kai įrenginys atnešamas iš šaltos į šiltą vietą arba į drėgną vietą, ant objektyvo, esančio grotuvo viduje, gali įvykti drėgmės kondensacija. Tokiu atveju įrenginys dirbs netinkamai. Palikite įrenginį maždaug vienai valandai, kad drėgmė išgaruotų.
13. Draudžiama valyti įrenginį cheminiais tirpikliais, nes jie gali pažeisti dengiamąjį laką. Prietaisą valykite švariu, sausu arba šiek tiek drėgnu skudurėliu.
14. Ištraukdami kištuką iš sieninio lizdo, visada traukite už kištuko, niekadus už maitinimo laido.
15. Jeigu įjungtas įrenginys naudojamas šalia įjungto televizoriaus, jis gali sukelti vaizdo iškraipymą linijos ekrane pavidalu. Tai priklauso nuo TV transliacijos bangų juostos. Tai nereiškia, kad įrenginys arba televizorius yra sutrikę. Jei matote tokias linijas, atitolinkite įrenginį nuo televizoriaus.
16. Maitinimo kištukas naudojamas maitinimo įtampos atjungimui ir visada turėtų būti prieinamas.
17. Norėdami skirtą kompaktiniams diskams skaityti lazerio galvutę išlaikyti švarioje, draudžiama ją liesti ir būtina visada uždarinėti diskų dėklą.
18. Atkūrimo metu, diskas sukasi dideliu greičiu. DRAUDŽIAMA kelti ir stumdyti įrenginį atkūrimo metu, nes tai gali sugadinti diską arba patį įrenginį.
19. Prieš perkeldami įrenginį į kitą vietą arba perkėlimo laikui, išimkite diską ir uždarykite diskų dėklą. Po to išjunkite maitinimą ir atjunkite maitinimo kabelį. Įrenginio perkėlimas su disku dėkle gali sugadinti įrenginį.
20. Atkūrus diską įdėkite jį į pakuotę. Saugokite diskus nuo tiesioginių saulės spindulių ir šilumos šaltinių poveikio. Draudžiama palikti diskus automobilio stovinčio saulėje viduje.
21. Draudžiama liesti disko pusę be etiketės. Laikykite diskus už kraštų, kad nepalikti pirštų atspaudų. Dulkės, pirštų atspaudai ar įbrėžimai diskuose gali būti netinkamo grotuvo veikimo priežastis. Draudžiama lipdyti lapelius ar lipniąją juostą ant disko.
22. Disko valymui naudokite švarią šluostę be pūkelių. Pradėkite valymą tiesioginiu judėsiu nuo disko centro ties jo krašto, naudojant įprastas valymo priemones arba antistatinę priemonę skirtas vinilinėms plokštelėms.
23. Norėdami išvengti galimo klausos praradimo, ilgai neklausykite garsios muzikos.



### ĮSPĖJIMAS: SPINDULIAVIMO ŠALTINIS

CLASS 1 LASER PRODUCT  
 LUOKAN 1 LASERLAITE  
 KLASS 1 LASERAPPARAT

Ši etiketė reiškia, kad įrenginyje yra lazerio elementų. Atidarant CD plokštelės dėklo dangtelį ir aplenkiant apsauginį užraktą, vartotojui atsiras lazerio spinduliuavimas. Draudžiama žiūrėti į lazerio spindulį, kai įrenginys veikia.



### PRIEŠ PRADEDANT DARBĄ

#### Pastabos: apie kompaktinius diskus.

Kadangi nešvarūs, pažeisti ar deformuoti diskai gali sugadinti įrenginį, atkreipkite dėmesį į šiuos elementus:

- Kompaktiniai diskai, kuriuos galite naudoti. Gali būti naudojami tik žemiau nurodytus diskus.
- CD diskai tiktai su skaitmeniniu audio garso įrašu.



### DĖMESIO



#### Deklaracija

Šiuo Blaupunkt Competence Center 2N-Everpol Sp. z o.o. deklaruoja, kad šis įrenginys atitinka Direktyvos 2014/53 / ES reikalavimus ir kitas atitinkamas nuostatas. Visą atitiktą deklaraciją galite rasti interneto svetainėje [www.blaupunkt.com](http://www.blaupunkt.com) gaminio skyriuje.

Atsakingas subjektas 2N-Everpol Sp. Z o.o.

Puławska 403A, 02-801 Warszawa, Polska

Telefonas: +48 22 331 99 59, e. paštas: info@everpol.pl



Produktas pagamintas iš aukštos kokybės medžiagų ir komponentų, kuriuos galima perdirbti ir pakartotinai naudoti.



Jei ant jūsų įrenginio randasi išbrauktas šiukšliadėžės žymeklis, tai reiškia, kad gaminį reglamentuoja Europos direktyvos 2012/19 /ES nuostatos. Privaloma susipažinti su vietos elektros ir elektroninių atliekų surinkimo sistemos reikalavimais. Privaloma laikytis vietinių taisyklių. Draudžiama išmesti šį įrenginį kartu su įprastomis buitinėmis atliekomis. Tinkamas senojo produkto pašalinimas užtikrins galimų neigiamų pasekmių aplinkai ir žmonių sveikatai prevenciją.



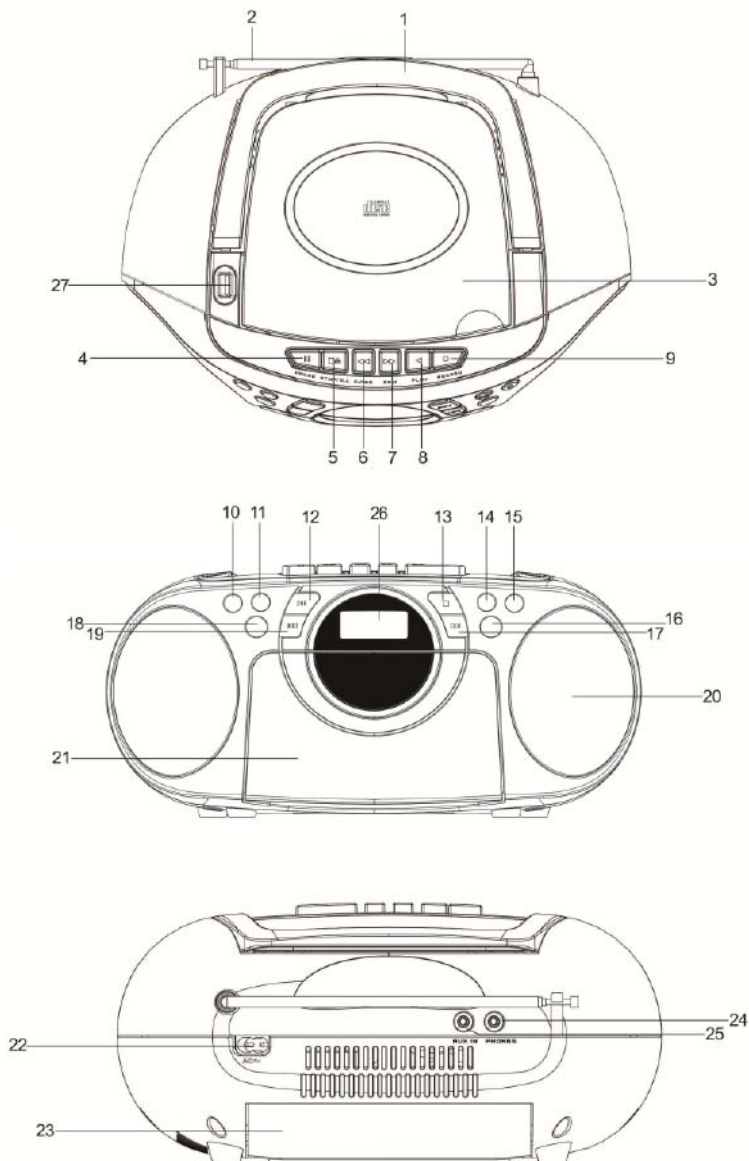
Šiame įrenginyje yra baterijos, kurioms taikoma Europos direktyva 2006/66/EC. Baterijas draudžiama išmesti kartu su buitinėmis atliekomis. Privaloma susipažinti su vietos atskirų medžiagų rinkimo reglamentus, nes dėl teisingo šalinimo bus išvengta galimų neigiamų pasekmių aplinkai ir žmonių sveikatai.

### Informacija apie aplinkos apsaugą

Pakuotėje yra tik būtini elementai. Buvo imtasi visų pastangų, kad būtų galima lengvai atskirti tris pakuotės sudedamąsias dalis: kartoną (dėžę), polistirolo putplastį (apsauginė dangą) ir polietilena (krepšeliai, apsauginis lakštas). Prietaisas pagamintas iš medžiagų, kurios gali būti perdirbamos ir pakartotinai panaudotos, kai jas išmontuoja specializuota įmonė. Privaloma laikytis vietinių pakavimo medžiagų, sunaudotų baterijų ir nereikalingų įrenginių šalinimo taisyklių.

Medžiagų įrašymui ir atkūrimui gali reikėti sutikimo. Žr. autorių teisių ir atlikėjų/artistų teisių įstatymą

## VALDYMO ELEMENTŲ ĮRENGIMAS



#### Valdymo elementai

1. Laikiklis;
2. FM antena;
3. CD dangtelis;
4. Pauzės mygtukas;
5. Sustabdymo / Išstūmimo mygtukas;
6. Pervyniojimo į priekį mygtukas;
7. Pervyniojimo atgal mygtukas;
8. Atkūrimo mygtukas;
9. Įrašymo mygtukas;
10. Mygtukas 10 / Fold / M.- ;
11. Mygtukas 10 / Fold / M. +;
12. Atkūrimo / pauzės mygtukas;
13. Sustabdymo mygtukas;
14. Garso stiprumo sumažinimo mygtukas;
15. Garso stiprumo padidinimo mygtukas;
16. Budėjimo režimo / funkcijos mygtukas;
17. Mygtukas Pirmyn / Tune +;
18. Programavimo / atminties režimo mygtukas / atkūrimo režimas;
19. Mygtukas Atgal / Tune -;
20. Garsiakalbis;
21. Kasetės kamera;
22. AC lizdas;
23. Baterijos kamera;
24. Ausinių lizdas;
25. AUX lizdas;
26. Ekranas LCD;
27. USB jungtis;

#### MAITINIMO ŠALTINIS

Įrenginys gali būti maitinamas iš elektros tinklo ir baterijomis.

#### Maitinimas iš elektros tinklo

Prijunkite vieną maitinimo laido kištuką prie įrenginio maitinimo lizdo, o kitą kištuką prie sieninio lizdo. Baterijos bus automatiškai atjungtos.

#### Maitinimas baterijomis

Atidarykite baterijos kameros dureles. Įdėkite 6 UM-1/D baterijas (nepridėta) į kamerą. Laikykitės nurodyto poliškumo.

#### ĮSPĖJIMAS

Ilgesnį laiką nesinaudojant įrenginiu, išimkite iš jo baterijas. Baterijose yra cheminių medžiagų, todėl jos turi būti tinkamai pašalinamos.

#### PAGRINDINĖS FUNKCIJOS

Įrenginio įjungimas

Prijungę maitinimą, paspauskite budėjimo / funkcijų režimo mygtuką, kad įjungtumėte įrenginį, ir po to paspauskite budėjimo / funkcijų režimo mygtuką, norėdami pasirinkti CD / USB / AUX / TAPE arba RADIO režimą. Ilgas budėjimo / funkcijų režimo mygtuko paspaudimas išjungs įrenginį.

**DĖMESIO:** Įrenginys automatiškai persijungia į budėjimo režimą, kai jis išlieka 60 minučių be atkūrimo CD / USB / AUX / TAPE režimu. Kasetės atkūrimo režimu įrenginys automatiškai persijungs į budėjimo režimą, kai kasetė nebus atkurama 60 minučių. Norėdami iš naujo įjungti įrenginį, paspauskite budėjimo / funkcijų režimo mygtuką arba iš naujo prijunkite įrenginį.

**Patarimai dėl elektrostatiinių iškrovų** - jei prietaiso veiksmingumas yra veikiamas elektrostatiinių iškrovimų, išjunkite jį ir vėl įjunkite.

**Garso valdymas**

Paspauskite VOL + / - mygtuką, norėdami padidinti ar sumažinti garsumą.

**Ausinių lizdas**

Norėdami diskretiškai pasiklausyti, prie ausinių lizdo prijunkite ausines su 3,5 mm kištuku (nepriedama). Garsiakalbio išvestis automatiškai išsijungs.

Įspėjimas. Pernelyg ilgas ausinių naudojimas gali turėti įtakos klausos sutrikimui.

**Radio FM valdymas**

Prieš pradėdami klausytis radijo, būtina ištraukti FM anteną ir pabandyti perkelti įrenginį šalia lango, kad gautumėte geresnį signalą; paspauskite budėjimo / funkcijų režimo mygtuką, kad prjungti į radijo FM režimą.

1. FM stočių paieška ir skenavimas: trumpai paspauskite mygtuką Tune +/-, kad padidintumėte arba sumažintumėte 0,05 MHz FM dažnį. Paspauskite ir prilaikykite nuspaudę Tune +/- mygtuką 2 sekundes, kad automatiškai skenuoti ir paleisti esamus kanalus aukšty n ar žemyn; paspauskite ir prilaikykite jį nuspaudę, kad skenuoti sekančią stotį.

2. Radijo stočių išsaugojimas rankiniu būdu: Pasirinkę savo mėgstamą radijo stotį naudodami Tune +/- mygtuką, norėdami pradėti programavimą, paspauskite mygtuką programavimas /atmintis /atkūrimo režimas; paspauskite mygtuką 10 / fold / M.- arba 10 / fold / M. +, kad pasirinktumėte numerį, kuriam norite priskirti atitinkamą stotį (didžiausias programuojamų stočių skaičius - 40), dar kartą paspauskite programavimo / atminties / atkūrimo režimo mygtuką, kad patvirtintumėte pasirinkimą; stotis bus išsaugoma pagal pasirinktą numerį.

3. Automatinis radijo stočių programavimas (automatinis skenavimas ir programavimas iki 40 stočių): Trumpai paspauskite atkūrimo / pauzės mygtuką, norėdami pradėti automatinį prieinamų radijo stočių skenavimo ir išsaugojimo režimą; trumpai paspauskite mygtuką 10 / fold / M.- arba 10 / fold / M. +, kad pasirinktumėte užprogramuotą stotį.

**MAGNETOFONO NAUDOJIMAS****Muzikos atkūrimas iš kasetėių**

Įtempkite juostelę kasetėje prieš įdedant ją į įrenginį. Įdėkite pieštuką ar rašiklį į kasetės angą ir pasukite ją, kad įtemptumėte juostelę. Paspauskite sustabdymo/atidarymo mygtuką, kad atidarytumėte kasetės dėklą.

Įdėkite kasetę į dėklą (dalis, kurioje matoma juostelė nukreipta į viršų ir pilnas ritinėlis kairėje), paspauskite iki galo ir uždarykite dėklą. Nelieskite juostelės. Nustatykite juostelės jungiklį į TAPE padėtį ir paspauskite kasetės atkūrimo mygtuką. Norėdami sustabdyti atkūrimą, paspauskite sustabdymo/dėklo atidarymo mygtuką. Norėdami išimti kasetę, dar kartą paspauskite sustabdymo/dėklo atidarymo mygtuką.

**AUTO STOP**

Kai juostelė pasibaigia atkūrimo ar įrašymo metu, įtaisyta automatinio stabdymo sistema paleidžia atkūrimo arba įrašymo mygtuką. Automatinio stabdymo sistemos dėka, kai vyksta įrašymas iš įmontuoto radijo arba CD grotuvo, auto stop funkcija sustabdo įrašymo režimą, kai juostelė pasiekia pabaigą, o radijas arba CD grotuvas toliau veikia.

**Įrašymas iš radijo**

1. Įdėkite tuščią juostelę į kasetės dėklą ir uždarykite dureles.
2. Paspauskite budėjimo / funkcijų režimo mygtuką, norėdami pasirinkti FM režimą.
3. Pasirinkite pageidaujamą stotį spausdami mygtuką pirmyn / TUN. + arba atgal / TUN.-.
4. Paspauskite įrašymo mygtuką, kad pradėtumėte įrašymą. Įrašymo ir atkūrimo mygtukas įsispaus vienu metu.
5. Norėdami baigti įrašymą, paspauskite sustabdymo / išstūmimo mygtuką.
6. Norėdami išgirsti įrašymus, sekite kasetės atkūrimo instrukcijas.

**Dėmesio:** Laikinas įrašymo pristabdymas - panaudokite pauzės mygtuką kasetėių grotuve vietoj sustabdymo / išstūmimo, kad laikinai sustabdytumėte įrašymą. Norėdami tęsti įrašymą, dar kartą paspauskite pauzės mygtuką.

### Įrašymas iš CD / USB / AUX

1. Įdėkite tuščią juostelę į kasetės dėklą ir uždarykite dureles.
2. Paspauskite budėjimo / funkcijų režimo mygtuką, norėdami pasirinkti CD, USB arba AUX režimą.
3. Įdėkite kompaktinį diską CD arba USB įrenginį arba prijunkite išorinį audio įrenginį prie AUX lizdo, po to pasirinkite norimą įrašą, kurį norite įrašyti.
4. Norėdami pradėti atkūrimą, paspauskite atkūrimo / pauzės mygtuką. Paspauskite įrašymo mygtuką, kad pradėtumėte įrašymą. Įrašymo ir atkūrimo mygtukas įsispaus vienu metu.
5. Norėdami sustabdyti arba redaguoti įrašymą, paspauskite pauzės mygtuką. Paspauskite dar kartą, kad atnaujintumėte įrašymą.
6. Norėdami baigti įrašymą, paspauskite sustabdymo / išstūmimo mygtuką.
7. Norėdami išgirsti įrašymus, sekite kasetės atkūrimo instrukcijas.

### Kasetės rūšys

Įrašymui naudokite tik aukštos kokybės kasetes (IEC TYPE 1). Šiam įrenginiui nerekomenduojamas kasečių C120 naudojimas.

### Magnetofono mechanizmo darbo užtikrinimas

Kas 10 įrenginio darbo valandų nuvalykite galvutę ir veržimo ritę/ritinėį.



Garso atkūrimo galvutė ir veržimo ritinėlio paviršius yra švelnūs ir negalima jų liesti metaliniais daiktais, pvz. atsuktuvu. Kasečių magnetofono komponentus galima lengviau išvalyti ištraukiant galvutę ir veržimo ritinėį spausdami atkūrimo mygtuką. Išvalius mechanizmą, paspauskite stabdymo mygtuką. Išjungus maitinimą ir palikus įjungtą atkūrimo mygtuką, veržimo ritinėlis gali sugesti. Bet kokiomis aplinkybėmis niekada netepkite įrenginio elementų.

### CD/MP3 NAUDOJIMAS

Diskai, kurie gali būti atkuriami

Šis įrenginys gali groti visus CD audio diskus, finalizuotus skaitmeninius diskus MP3, WMA CD-R, finalizuotus, skaitmeninius audio diskus CD-R ir diskus CD/CD-R/CD-RW CD-DA formatu.

### Disko įdėjimas

1. Paspauskite budėjimo / funkcijų režimo mygtuką, norėdami pasirinkti CD režimą.
2. Atidarykite CD disko dėklą. Ekrane pasirodys komunikatas „OPEN“.
3. Įdėkite diską į dėklą (etiketė viršų).
4. Uždarykite diskų dėklo dangtį. Bendras įrašų skaičius rodomas ekrane užbaigus nuskaitymą.
5. Norėdami išimti diską CD, paspauskite sustabdymo mygtuką ir atidarykite dangtį, paimkite diską už kraštų ir išimkite jį.

### Dėmesio:

1. Norėdami užtikrinti tinkamą įrenginio veikimą, palaukite, kol grotuvas užbaigs disko nuskaitymą.
2. Kai grotuve nėra disko arba diskas įdėtas atvirkščiai (etiketė į apačią), rodomas komunikatas „NO CD“.

### Disko atkūrimas

Įdėjus diską, atkūrimas automatiškai prasidės nuo 1 kūriniu.

Norėdami sustabdyti atkūrimą, paspauskite atkūrimo / pauzės mygtuką. Atkūrimo indikatorius mirksės, o ekrane pasirodys esamo kūrinio numeris.

Norėdami tęsti atkūrimą, dar kartą paspauskite atkūrimo / pauzės mygtuką.

Norėdami sustabdyti atkūrimą, paspauskite Sustabdymo mygtuką, ekrane pasirodys bendras takelių skaičius.



**Pageidaujamo kūrinio/vietos pasirinkimas****Norėdami pasirinkti pageidaujamą kūrinį**

Spauskite pakartotinai mygtuką pirmyn / TUN. + arba atgal / TUN-. kol pasirodys pageidaujamos dainos numeris.

**Norint surasti konkrečią dainos vietą atkūrimo metu (greitoji dainos paieška)**

Paspauskite ir prilaikykite mygtuką pirmyn / TUN. + arba atgal / TUN-. norėdami greitai surasti konkretų kūrinio fragmentą ir po to atleiskite mygtuką. Atkūrimas prasidės nuo tos vietos.

**Norint pasirinkti kūrinį, kurio numeris didesnis nei 10 (tik MP3 diskai)**

Norėdami pasirinkti kūrinį/takelį, kurio numeris didesnis nei 10, paspauskite 10 / fold / M.- arba 10 / fold / M. +, kad kiekvieną kartą peršoktumėte į priekį/atgal 10 kūrinių, o po to paspauskite mygtuką pirmyn / TUN. + arba atgal / TUN-., kad pasirinktumėte norimą kūrinį. Norėdami, pavyzdžiui, pasirinkti 17-ąjį takelį, paspauskite mygtuką 10 / fold / M. +, o po to paspauskite šešis kartus mygtuką pirmyn / TUN. +.

**Norint pasirinkti pageidaujamą aplanką (tik tuo atveju, jei MP3 diskas turi daugiau nei vieną aplanką)**

Norėdami praleisti pageidaujamą aplanką atkūrimo metu, paspauskite ir prilaikykite nuspaudę mygtuką 10 / fold / M.- arba 10 / fold / M. +, maždaug 2 sekundes, kad pereitumėte į kitą/ankstesnę aplanką.

**Takelių programavimas**

Takelių programavimas galimas tiktai sustabdymo režimu. Grotuvo atmintyje galima užprogramuoti bet kokia tvarka iki 20 kūrinių CD/99 MP3 takelių.

1. Sustabdymo režimu paspauskite programavimo / atminties / atkūrimo režimo mygtuką; simbolis „PROG“ pradės mirksėti ir įsijungs „P01“ indikatorius.
2. Paspauskite mygtuką pirmyn / TUN. + arba atgal / TUN-., kad pasirinktumėte pirmą kūrinį programavimui.
3. Paspauskite programavimo / atminties / atkūrimo režimo mygtuką, kad jį patvirtinti. Ekranu nurodymas pasikeis į "P02".
4. Pakartokite 2 ir 3 taško veiksmus, kad išsaugotumėte kitus takelius, kol visi takeliai bus užprogramuoti.
5. Paspauskite atkūrimo / pauzės mygtuką, kad pradėtumėte atkūrimą nuo pirmojo užprogramuoto kūrinio.
6. Paspauskite sustabdymo mygtuką, kad sustabdytumėte programuojamą atkūrimą.

**Norint ištrinti atmintį (atkūrimo programą)**

Programą galima ištrinti dviem būdais:

1. Paspauskite sustabdymo mygtuką pristabdyto atkūrimo metu, arba
2. Atidarykite disko dėklą - programa bus ištrinta.

**Pakartojimo funkcija (REPEAT)**

Norint pakartoti vieno kūrinio atkūrimą

1. Vieną kartą paspauskite programavimo / atminties / atkūrimo režimo mygtuką atkūrimo režimu; ekrane pasirodys simbolis „R“, kuris pradės mirksėti. Einamasis kūrinys bus atkuriamas daugelį kartų, kol sustabdymo mygtukas bus paspaustas.
2. Norėdami atšaukti pakartojimo funkciją, nuspauskite programavimo / atminties / atkūrimo režimo mygtuką, tol kol simbolis „R“ išnyks LCD ekrane.

**Norint pakartoti visų kūrinių atkūrimą**

1. Paspauskite programavimo / atminties / atkūrimo režimo mygtuką atkūrimo režimu, kol ekrane užsidegs simbolis „R“; visi kūriniai diske bus kartojami, kol paspausite sustabdymo mygtuką.
2. Norint atšaukti pakartojimo funkciją, nuspauskite programavimo / atminties / atkūrimo režimo mygtuką, tol kol simbolis „R“ išnyks LCD ekrane.

### Norint pakartoti esamą aplanką (tik MP3)

1. Paspauskite programavimo / atminties / atkūrimo režimo mygtuką atkūrimo režimu, kol ekrane užsidegs simbolis „FOLDER“ („APLANKAS“); esamas aplankas bus kartojamas, kol paspausite sustabdymo mygtuką.
2. Norint atšaukti pakartojimo funkciją, paspauskite programavimo / atminties / atkūrimo režimo mygtuką, tol kol simbolis „FOLDER“ („APLANKAS“) išnyks LCD ekrane.

### Atsitiktinis atkūrimas

Paspauskite programavimo / atminties / atkūrimo režimo mygtuką atkūrimo režime, kol ekrane užsidegs simbolis "RDM"; atsitiktinis grojimas automatiškai prasidės nuo sekančio kūrinio, kol visi kūriniai bus grojami ir po to sustos.

Norėdami atšaukti, paspauskite programavimo / atminties / atkūrimo režimo mygtuką vieną kartą.

### Išankstinis atkūrimas (Intro)

Paspauskite programavimo / atminties / atkūrimo režimo mygtuką atkūrimo režime, kol ekrane pasirodys "INTRO", atkūrimas ir skenavimas 10 sekundžių kūrinių dalių prasidės automatiškai. Norint atšaukti išankstinį grojimą, paspauskite programavimo / atminties / atkūrimo režimo mygtuką, kol ekrane išnyks simbolis "INTRO".

### USB naudojimas

1. Paspauskite budėjimo / funkcijų režimo mygtuką, norėdami pasirinkti USB režimą.
2. Prijunkite USB atmintinę prie lizdo USB. LCD ekrane bus rodomas bendras saugomų USB atmintinėje kūrinių ir aplankų skaičius. Perskaitęs USB atmintinę, įrenginys pradės atkūrimą automatiškai.
3. Paspauskite sustabdymo mygtuką, kad sustabdytumėte atkūrimą. Ekrane bus rodomas bendras USB kūrinių skaičius.
4. Atkūrimo funkcijos su kartojimu (1 kūrinio, aplanko ir visų kūrinių kartojimas) aprašytos skyriuje "CD/MP3 NAUDOJIMAS".

### Dėmesio:

1. Nenaudokite USB pratęsimo laido USB atmintinės prijungimui, nes tai gali sukelti trikdžius
2. USB prievadas yra prieinamas tik muzikos atkūrimui. Jis nepalaiko jokio išorinio įrenginio krovimo funkcijos.
3. Didžiausias palaikomas atminties dydis tai 32 GB. USB skirtas tik muzikos atkūrimui. Daugelis MP3 failų palaikomu, o kiti muzikos formatai negali būti atkuriami.
4. Atkūrimas iš išmaniojo telefono per USB laidą ir užšifruotus USB įrenginius gali būti nepalaikomas šiame įrenginyje.

### AUX jungties naudojimas

Įrenginys turi 3,5 mm AUX lizdą MP3 grotuvo ir kitų šaltinių prijungimui, kad pagerinti audio signalą.

1. Paspauskite budėjimo / funkcijų režimo mygtuką, norėdami pasirinkti AUX režimą.
2. Prijunkite audio kabelį (neprijungtas) prie AUX IN lizdo, o kitą galą prijunkite prie išorinio garso šaltinio AUDIO OUT lizdo. Įrenginys automatiškai persijungs į AUX režimą.
3. Nustatykite pageidaujimą garso lygį šiame įrenginyje.
4. Norėdami pradėti atkūrimą, paspauskite atkūrimo mygtuką išoriniame audio signalo šaltinyje (pvz. MP3 grotuve).

### Specifikacijos

Maitinimas: AC100-240V ~ 60 / 50Hz

DC 9V UM-1 x 6 vnt. (baterijos nepridėtos)

Svoris apytiksliai 1.46 kg

Matmenys apytiksliai 285 mm (A) x 213 mm (P) x 140 mm (H)

Darbo temperatūra + 5 o C - +45 o C

Juosta FM 87,5-108 MHz

Didžiausia palaikomas USB atmintinės talpa - 32 GB

Lazeris 3 - pluoštai

Dažnių juosta 100 Hz - 16KHz

Įrašymo sistema 2 kanalai (stereofoninė)

Bias sistema DC Bias

Dažnių juosta 125 - 6,3 KHz

Wow and flutter 0.35% WRMS (JIS)

Išėjimo galia 1,5 W x 2

Energijos sąnaudos 13W

Energijos sąnaudos budėjimo režimu <0.5W

(pirmiau nurodytos specifikacijos gali būti keičiamos be įspėjimo)

**POMEMBNA POROČILA O VARNOSTI**

**POZOR**

**NEVARNOST ELEKTRIČNEGA  
UDARA  
NE ODPIRATI**
**Pomembna poročila o varnosti**
**Pozor:**

Da bi zmanjšali nevarnost električnega udara, ne razstavljajte pokrova in zadnjega dela naprave. Znotraj naprave ni elementov, ki bi jih lahko uporabnik samostojno popravil. Vzdrževalna dela in popravila lahko opravljajo le usposobljeni serviserji.

**Razlaga grafičnih simbolov:**


Simbol strele s puščico na koncu, v enakostraničnem trikotniku opozarja uporabnika na neizolirano »nevarno napetost« v ohišju naprave. Napetost lahko doseže vrednost, ki predstavlja tveganje električnega udara.



Klicaj v enakostraničnem trikotniku opozarja uporabnika na pomembne informacije o uporabi in vzdrževanju naprave, ki jih vsebuje dokumentacija, priložena napravi.

Prosimo, da pred uporabo naprave preberete ta navodila, da bi se seznanili s funkcijami naprave in jo uporabljali skladno z namenom. S tem lahko zagotovite dolgotrajno, nemoteno in prijetno uporabo naprave.

**Pomembni podatki**

- Shranite ta navodila za uporabo in poročila o varnosti, ker jih boste lahko potrebovali v prihodnosti.
- Ne dovolite, da se na napravo razlije oziroma nanjo kaplja tekočina.
- Naprave ne uporabljajte v vlažnih prostorih, kot je na primer kopalnica.
- Naprave ne smete namestiti na naslednji način:
- Naprava ne sme biti izpostavljena neposrednemu vplivu sončnih žarkov oz. se ne sme nahajati v bližini grelcev.
- Naprava se ne sme postaviti na drugo stereofonsko napravo, ki oddaja toploto.
- Naprava ne sme ovirati prezračevanja oz. se ne sme nahajati v zaprašenem prostoru.
- Naprava ne sme biti izpostavljena stalnim vibracijam.
- Naprava se ne sme nahajati v prostorih z visoko vlažnostjo.
- Naprava se ne sme nahajati v bližini sveč ali odprtega ognja.
- Napravo uporabljajte le na način, opisan v teh navodilih.
- Pred prvim vklopom napajanja se je treba prepričati, da je napajalnik pravilno priključen.
- USB-spomin se priklopi neposredno oz. s pomočjo USB-podaljška z dolžino do 25 cm.

Zaradi varnosti ni dovoljeno razstavljanje ohišja oz. pronicanje v notranjost naprave. Napravo lahko popravi le usposobljeno servisno osebje.

Ne razstavljajte in ne odpirajte ohišja naprave, kajti noter ni delov, ki bi jih lahko popravil uporabnik. Vzdrževalna dela in popravila lahko opravljajo le usposobljeni serviserji.

**POROČILA O VARNOSTI**

1. Preberite navodila za uporabo – pred uporabo naprave je treba prebrati vsa navodila za uporabo in poročila o varnosti.
2. Shranite navodila za uporabo – navodila za uporabo je treba shraniti za primer kasnejše uporabe.
3. Upoštevajte opozorila – ukrepajte skladno z vsemi opozorili, ki jih vidite na napravi ter z opozorili, omenjenimi v navodilih za uporabo.
4. Sledite navodilom – ukrepajte skladno z navodili za uporabo in nasveti za uporabnika.
5. Namestitvev – napravo postavite skladno s proizvajalčevimi navodili.
6. Viri napajanja – napravo napajajte izključno iz virov, ki odgovarjajo parametrom, navedenim na napajalnem kablu. Če niste prepričani, kakšno napajanje imate doma, obrnite se na prodajalca naprave oz. lokalnega dobavitelja električne energije.
7. Ozemljitev in polarizacija napajanja – napravo lahko uporabljate brez ozemljitve. Prepričajte se, da je vtič v celoti nameščen v omrežni vtičnici oz. podaljšku, tako da se stiki ne vidijo. Nekatere različice naprave so lahko opremljene s polariziranim vtičem za izmenični tok (en stik je debelejši). Takšen vtič lahko vklopite v omrežno vtičnico le na en način. To je zavarovalna funkcija. Če vtiča ne morete vklopiti v vtičnico, ga poskusite obrniti. Če se vtič še vedno ne ujema z vtičnico, naj vam jo električar zamenja. Zavarovanja iz polariziranega vtiča ne smete odstranjevati. Če uporabljate podaljšek ali napajalni kabel, ki nista priložena napravi, se prepričajte, da imata ustrezne vtiče in potrdilo o varnosti, ki se zahteva v določeni državi.
8. Zavarovanje napajalnega kabla – napajalni kabel je treba namestiti na način, ki omejuje nevarnost potepanja, pritiskanja oz. naključnega razrezanja. Bodite posebej pozorni na vtiče, omrežne vtičnice in mesta, kjer kabli izhajajo iz naprave.
9. Preobremenitev – preobremenitev zidnih vtičnic, podaljškov in električnih razdelilnikov ni dovoljena, saj lahko to privede do požara ali električnega udara.
10. Prezračevanje – napravo je treba pravilno prezračevati. Ne postavite je na posteljo, kavč ali podobne površine. Ne prekrivajte je s prti, robci, revijami idr.
11. Toplota – naprave ne postavite v bližino virov toplote, kot so grelci, sevalniki, peči in druge naprave (tudi ojačevalniki), ki oddajajo toploto. Na napravo ne postavite gorečih svečk in drugih virov odprtega ognja.
12. Voda in vlaga – da bi zmanjšali tveganje požara ali električnega udara, naprave ne izpostavite neposrednemu vplivu dežja, vode in vlage, na primer ne postavite je v savni ali kopalnici. Te naprave ne smete uporabljati v bližini vode, na primer zraven kadi, umivalnika, korita oz. škafo, v vlažni kleti oz. v bližini bazena (in podobnih mest).
13. Predmeti in tekočine v napravi – skozi odprtine v napravi ne potiskajte nobenih predmetov, saj se tisti predmeti lahko dotaknejo točk z nevarno napetostjo in s komponentami, kar lahko privede do požara oz. električnega udara. Nikakor ne razlize nobenih tekočin na površino naprave. Na napravo ne smete postaviti predmetov, ki vsebujejo tekočine.
14. Čiščenje – preden začnete s čiščenjem, napravo vedno odklopite iz omrežne vtičnice. Prah, ki je okoli zvočnika, lahko obrišete s suho krpo. Če za čiščenje uporabljate aerosol, razpršilo usmerite na krpo, ne pa neposredno na napravo. Pazite, da se ne poškodujejo pogonske enote.
15. Dodatna oprema – ne uporabljate pripomočkov, ki jih proizvajalec ne potrdi, ker lahko predstavljajo nevarnost.
16. Pripomočki – naprave ne postavite na nestabilen voziček, stojalo, stativo, konzolo ali mizo. Naprava se lahko prevrne in poškoduje, lahko tudi hudo poškoduje otroka ali odraslo osebo. Uporabite le vozičke, stojala, stativo, konzole in mize, ki jih priporoča proizvajalec oz. ki se prodajajo skupaj z napravo. Namestitvev naprave mora potekati skladno z navodili proizvajalca, ob uporabi montažnega seta, ki ga priporoča proizvajalec.
17. Prestavljanje naprave – napravo postavite na voziček in zelo previdno prestavite. Nenadna ustavitve vozička, prevelika moč oz. neravne površine lahko pripeljejo do prevrnitve vozička z napravo.



18. Obdobje mirovanja naprave – napajalni kabel je treba odklopiti iz omrežne vtičnice v primeru neviht s strelami oz. ko naprave ne boste dlje časa uporabljali.
19. Servisiranje - naprave ne smete servisirati samostojno. Po odpiranju ohišja je uporabnik izpostavljen visoki napetosti in drugi nevarnosti. Vzdrževalna dela in popravila lahko opravljajo le usposobljeni serviserji.
20. Ko naprave ne uporabljate, odklopite njen vtič iz omrežne vtičnice. Ko je naprava priključena na vir napajanja, ni nikoli popolnoma izklopljena, vendar je v stanju pripravljenosti.
21. Nadomestni deli – ob zamenjavi delov je treba preveriti, ali je serviser uporabil nadomestne dele proizvajalca oz. ali nadomestni deli ustrezajo originalnim delom. Uporaba nepotrjenih delov lahko privede do požara, električnega udara oz. drugih nevarnih razmer.
22. Glavne varovalke – da bi napravo trajno zavarovali pred požarom, uporabite varovalke ustrezne vrste in parametrov. Parametri varovalk glede napetosti so označeni na napravi.
23. Ne povečajte glasnosti ob poslušanju tihega posnetka oz. ko ni vhodnega zvočnega signala. Z nenadnim povečanjem intenzitete signala lahko poškodujete zvočnik.
24. Edini način popolnega odklopa naprave iz vira napajanja je odklop napajalnega kabla iz omrežne vtičnice oz. iz naprave. Omrežna vtičnica oz. vhod za napajalni kabel morata biti vedno dostopna med uporabo naprave.
25. Napravo je treba postaviti v bližini omrežne vtičnice oz. podaljška, na tak način, da je vtičnica vedno dostopna.
26. Maksimalna temperatura v prostoru, kje je naprava, je 35 °C.
27. Nasveti glede električnih razelektritev – če delovanje naprave motijo električne razelektritve, je treba napravo izklopiti in ponovno vklopiti oz. jo prestaviti na drugo mesto.
28. Baterija
  - a. Baterije ne smejo biti izpostavljene vplivu prekomerne toplote, npr. sončnih žarkov, ognja idr.
  - b. Pri odstranjevanju baterij je treba biti posebno pozoren na okoljevarstvena vprašanja.
  - c. Opozorilo glede uporabe baterije: da se prepreči puščanje baterije, ki lahko privede do poškodb telesa oz. naprave:
    - Ob namestitvi baterij pazite na polarizacijo (+ in -).
    - Skupaj ne smete uporabljati novih in starih baterij, standardnih in alkalnih idr.
    - Če naprave več časa ne uporabljate, odstranite baterije.

### **OPOZORILO**

Naprave ne smejo uporabljati osebe (vključno z otroki) z zmanjšano fizično, senzorično ali mentalno sposobnostjo ali brez izkušenj oz. znanja, razen če so pod nadzorom osebe, ki je odgovorna za njihovo varnost, oz. če so se poučile z navodili o varni uporabi naprave. Prisotnost odraslih je obvezna, če napravo uporabljajo otroci. S tem se lahko zagotovi varna uporaba naprave.

1. Vključene naprave ne smete pustiti brez nadzora! Napravo izklopite, tudi če naprava le nekaj časa počiva.
2. Naprave ne smete uporabljati preko zunanje ure s časovnim sistemom oz. preko ločenega sistema z daljinskim upravljanjem.
3. Da bi se izognili nevarnosti v primeru poškodovanja napajalnega kabla, zamenjave lahko opravi le proizvajalec, pooblaščen servisno podjetje oz. ustrezno usposobljen strokovnjak.
4. Pred začetkom uporabe naprave je treba preveriti, ali napetost naprave ustreza napetosti lokalnega električnega omrežja.
5. Prezračevalnih odprtin ne prekrivajte, npr. z revijami, prti, zavesami idr. Prepričajte se, da je nad napravo ohranjenega najmanj 20 cm prostega prostora, na straneh pa vsaj 5 cm.
6. Ne dovolite, da na napravo kaplja oz. da se nanjo razlije tekočina, na napravo ne postavite predmetov s tekočino, npr. vaz.
7. Da se prepreči nastajanje požara ali nevarnost električnega udara, napravo zaščitite pred vročino, vplivom dežja, vlage in praha.



8. Naprave ne postavite v bližini katerih koli virov vode, npr. umivalnikov, kadi, pralnih strojev oz. bazenov. Napravo postavite na ravno in stabilno podlago.
9. Naprave ne izpostavite močnemu magnetnemu polju.
10. Naprave ne postavite neposredno na ojačevalnik ali sprejemnik.
11. Naprave ne postavite na vlažno mesto, ker ima vlaga negativni vpliv na električne komponente.
12. Ko napravo prestavite iz hladnega prostora v tople oz. vlažen prostor, lahko pride do kondenzacije vlage na leči znotraj predvajalnika. To lahko povzroči nepravilno delovanje naprave. Napravo pustite vklopljeno vsaj na eno uro, da vlaga izpari.
13. Naprave ne čistite s kemijskimi topili, ker se lahko na ta način poškoduje lakirana površina ohišja. Napravo obrišite s čisto, suho oz. rahlo navlaženo krpicco.
14. Med odklopom vtiča iz omrežne vtičnice je treba vedno vleči za vtič, nikoli za napajalni kabel.
15. Ko se vklopljena naprava uporablja v bližini vklopljenega TV-ja, lahko pride do motenj slike v obliki črt na zaslonu. To je odvisno od valov TV-prenosa. To ne pomeni, da naprava oz. TV ne delujeta pravilno. Če se vidijo črte, premaknite napravo stran od TV-ja.
16. Omrežni vtič se uporablja za odklop napajanja in zato mora biti vedno dostopen.
17. Da bi laserska glavica za odčitavanje CD-zgoščenk ostala čista, se je ne dotikajte in vedno zapirajte prostor za CD-je.
18. Med predvajanjem se zgoščenska vrtilna plošča vrti z veliko hitrostjo. Naprave med predvajanjem NE SMETE dvigati oz. premikati, saj lahko na ta način poškodujete zgoščenko oz. napravo.
19. Preden napravo prestavite na drugo mesto, odstranite zgoščenko in zaprite prostor za CD-je. Nato izklopite napajanje in odklopite napajalni kabel. Prestavljanje naprave z vstavljenimi zgoščenkami je lahko razlog za poškodovanje naprave.
20. Po predvajanju zgoščenko pospravite v škatlo. Zgoščenk ne izpostavite neposrednemu vplivu sončnih žarkov ter virov toplote in jih ne pustite v vozilu, ki je parkirano na soncu.
21. Ne dotikajte se strani zgoščenske, na kateri ni etikete. Zgoščenko primite za robove, da ne pustite prstnih odtisov. Prah, prstni odtisi oz. praske so lahko razlog za nepravilno delovanje predvajalnika. Na zgoščenko ne prilepite kartic ali samolepilnega traka.
22. Za čiščenje zgoščenk uporabite čisto krpo, ki ne pušča kosmičev. Čiščenje začnite od sredine zgoščenske proti robu, za to uporabite splošno dostopna čistilna sredstva oz. antistatična sredstva za vinilne plošče.
23. Da bi preprečili nevarnost izgube sluha, glasne glasbe ne poslušajte dlje časa.



#### OPOZORILO: VIR SEVANJA

CLASS 1 LASER PRODUCT  
 LUOKAN 1 LASERLAITE  
 KLAS 1 LASERAPPARAT

#### PRED ZAČETKOM DELA

##### Opombe: glede zgoščenk.

Ker so lahko umazane, poškodovane oz. izkrivljene zgoščenske razlog za poškodovanje naprave, treba je biti posebno pozoren na:

- a. Zgoščenske, ki se lahko uporabijo. Lahko uporabite le spodaj navedene zgoščenske.
- b. CD-zgoščenske le z digitalnim zvočnim signalom.

COMPACT  
**disc**  
 DIGITAL AUDIO

**POZOR****Izjava**

S tem Blaupunkt Competence Center 2N-Everpol Sp. z o.o. izjavlja, da je ta naprava v skladu z zahtevami in drugimi ustreznimi določili uredbe 2014/53/EU. Celotno izjavo o skladnosti si lahko ogledate na spletni strani [www.blaupunkt.com](http://www.blaupunkt.com) v zavihku izdelka.

Odgovorni subjekt: 2N-Everpol Sp. Z o.o.

Puławska 403A, 02-801 Warszawa, Polska

Telefon: +48 22 331 99 59, e-naslov: [info@everpol.pl](mailto:info@everpol.pl)



Naprava je izdelana iz visokokakovostnih materialov ter komponent, ki se lahko reciklirajo in ponovno uporabijo.



Če je na napravi oznaka prekrižan zabojujnik za odpadke, to pomeni, da za izdelek veljajo določila evropske smernice 2012/19/EU. Seznaniti se je treba z lokalnimi zahtevami za zbiranje električnih ter elektronskih odpadkov. Ukrepati je treba v skladu z lokalnimi predpisi. Izdelek se ne sme odstranjevati skupaj z navadnimi odpadki. Ustrezno odstranjevanje starega izdelka pomaga izključiti morebitne negativne učinke na okolje in človekovo zdravje.



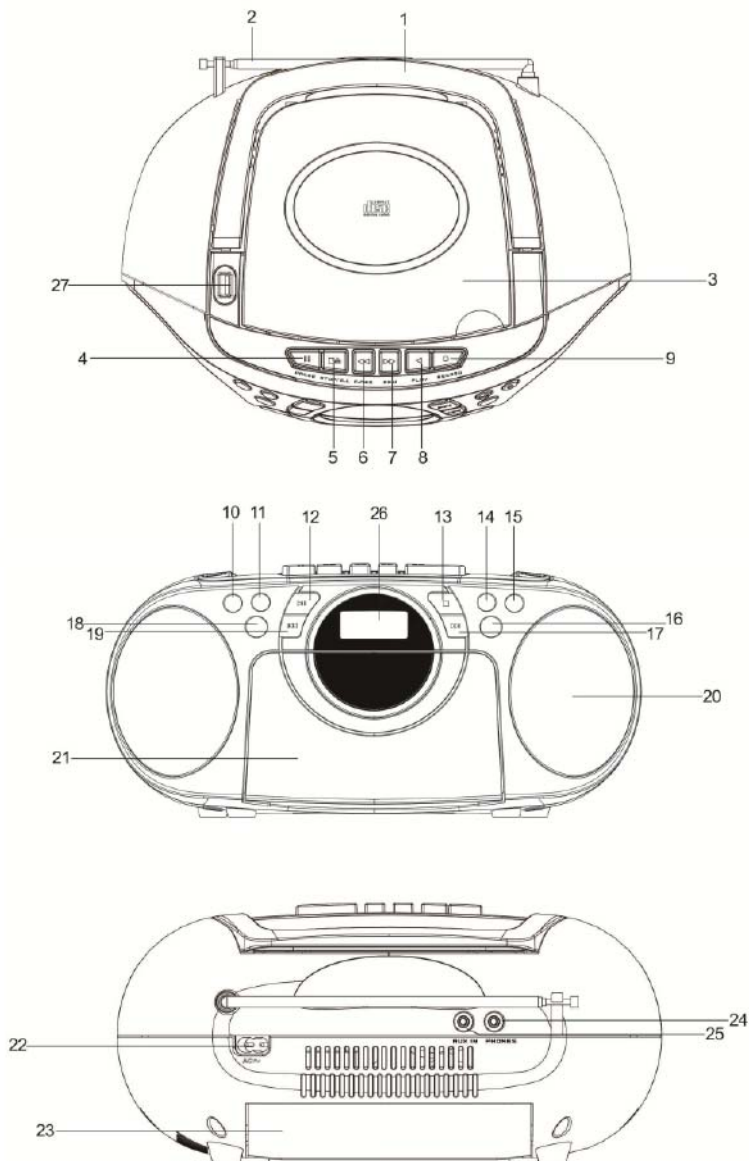
Naprava je opremljena z baterijo, ki jo določa evropska smernica 2006/66/EC. Baterija se ne sme odstranjevati skupaj z gospodinjskimi odpadki. Treba se je seznaniti z lokalnimi predpisi za ločeno zbiranje odpadnih baterij, ker le ustrezna odstranitev preprečuje morebitne negativne učinke za okolje in človekovo zdravje.

**Podatki za varovanje okolja**

Komplet vsebuje samo potrebne elemente. Prizadevali smo si, da bodo vsi trije elementi embalaže lahko odstranljivi: karton (škatla), polistirenska pena (zunanja zaščita) in polietilen (vreče, zaščitna plast). Naprava je izvedena iz materialov, ki se lahko reciklirajo, ter jih lahko po demontaži s strani strokovnega podjetja ponovno uporabljamo. Upoštevati je treba lokalne predpise za odstranjevanje embalaž, porabljenih baterij ter nepotrebnih naprav.

Za zapisovanje in predvajanje je treba obvezno pridobiti soglasje. Glej Zakon o avtorskih pravicah in pravicah izvajalcev/umetnikov.

## RAZPOREDITEV ELEMENTOV ZA UPRAVLJANJE



**Elementi za uporabo**

1. Držalo;
2. Antena FM;
3. Pokrov CD;
4. Tipka Pavza;
5. Tipka Stop / Izvrzi;
6. Tipka za pomikanje naprej;
7. Tipka za pomikanje nazaj;
8. Tipka za predvajanje;
9. Tipka za zapisovanje;
10. Tipka 10 / Fold / M.-;
11. Tipka 10 / Fold / M.+;
12. Tipka za predvajanje/ustavitev;
13. Tipka Stop;
14. Tipka za zmanjšanje glasnosti;
15. Tipka za povečanje glasnosti;
16. Tipka načina / funkcije stanja pripravljenosti;
17. Tipka Naslednji / Tune +;
18. Tipka načina programiranja / spomina / načina predvajanja;
19. Tipka Prejšnji / Tune -;
20. Zvočnik;
21. Prostor za kasete;
22. Vtičnica AC;
23. Prostor za baterije;
24. Vtičnica za slušalke;
25. Vtičnica AUX;
26. LCD prikazovalnik;
27. Vtičnica za USB;

**VIR NAPAJANJA**

Naprava se lahko napaja iz električnega omrežja ali z baterijo.

**Napajanje preko električnega omrežja**

Vklopite en konec napajalnega kabla v vtičnico na napravi, drugega pa v zidno vtičnico. Baterije se samodejno odklopijo.

**Napajanje z baterijo**

Odprite pokrov prostora za baterije. Namestite 6 baterij UM-1/D (niso priložene kompletu). Uporabite ustrezno polarizacijo.

**POZOR**

Če naprave več časa ne uporabljate, odstranite baterije. Baterije vsebujejo kemijske snovi, zato jih je treba ustrezno odstraniti.

**OSNOVNE FUNKCIJE****Vklop naprave**

Po priklopu napajanja pritisnite tipko načina / funkcije stanja pripravljenosti, da bi vklopili napravo, nato pritisnite tipko načina / funkcije stanja pripravljenosti, da izberete način CD / USB / AUX / TAPE oz. RADIO. Dolgotrajni pritisk na tipko načina / funkcije stanja pripravljenosti izklopi napravo.

**POZOR:** V načinu CD / USB / AUX / TAPE, po 60 minutah mirovanja naprava samodejno preide v stanje pripravljenosti. V načinu predvajanja kaset, naprava samodejno preklopi v stanje pripravljenosti, ko kasetna traka miruje več kot 60 minut. Za ponovni vklop naprave, pritisnite tipko načina / funkcije stanja pripravljenosti oz. ponovno priklopite napravo.

**Nasveti glede električne razelektritve** - če delovanje naprave motijo električne razelektritve, je treba napravo izklopiti in ponovno vklopiti.

### Nastavitev glasnosti

Pritisnite tipko VOL. + / -, da bi povečali ali zmanjšali glasnost.

### Vtičnica za slušalke

Za diskretno poslušanje priključite slušalke z vtičem 3,5 mm (niso priložene) v vtičnico za slušalke. Po priključitvi slušalk se zvočniki samodejno izklopijo.

Pozor: Dolgotrajno poslušanje glasne glasbe preko slušalk lahko poslabša sluh.

### Uporaba radia FM

Pred začetkom poslušanja radia je treba popolnoma raztegniti FM anteno in postaviti napravo v bližino okna, da lahko sprejeme boljši signal; pritisnite tipko načina / funkcije stanja pripravljenosti za prehod na način radia FM.

- 1. Iskanje in pregledovanje FM postaj:** kratko pritisnite tipko Tune +/- da bi povečali ali zmanjšali frekvenco FM za 0,05 MHz. Pritisnite in za 2 sekundi pridržite tipko Tune +/-, da bi samodejno pregledovali in predvajali razpoložljive postaje gor in dol po radijskem spektru; pritisnite in pridržite tipko, da bi pregledali naslednjo postajo.
- 2. Ročno shranjevanje radijskih postaj:** Po izbiri priljubljene radijske postaje s pomočjo tipke Tune +/- pritisnite tipko za programiranje / spomin / način predvajanja, da bi začeli programiranje; pritisnite tipko 10 / fold / M. - oz. 10 / fold / M.+, da bi izbrali številko, pod katero si želite programirati postajo (maksimalno število programiranih postaj je 40), ponovno pritisnite tipko za programiranje / spomin / način predvajanja, za potrditev izbire; postaja bo shranjena pod izbrano številko
- 3. Samodejno programiranje radijskih postaj** (samodejno pregledovanje in programiranje do 40 postaj): Kratko pritisnite tipko za predvajanje / pavzo za vklop načina samodejnega pregledovanja in shranjevanja razpoložljivih radijskih postaj; kratko pritisnite tipko 10 / fold / M. - oz. 10 / fold / M.+, da bi izbrali programirano postajo.

### UPORABA MAGNETOFONA

#### Predvajanje glasbe iz kasete

Preden namestite kaseto v napravo, napnite trak. V luknjo kasete vtaknite svinčnik ali pero in ga obračajte, da s tem napnete trak. Da bi odprli prostor za kasete, pritisnite tipko za **ustavitev/odpiranje**.

Namestite kaseto (del, v katerem se vidi trak, je usmerjen navzgor, poln navoj na levi strani), pritisnite in zaprite prostor za kasete. Traka se ne dotikajte. Nastavite stikalo traka v položaj TAPE in pritisnite tipko za **predvajanje kasete**. Da bi ustavili predvajanje, pritisnite tipko za **ustavitev / odpiranje** prostora za kasete. Da bi odstranili

kaseto, ponovno pritisnite tipko za **ustavitev / odpiranje** prostora za kasete.

#### AUTO STOP

Ko se trak med predvajanjem oz. zapisovanjem odvijne, vgrajen sistem samodejnega ustavljanja izklopi predvajanje oz. zapisovanje. Sistem samodejnega ustavljanja omogoča ustavitev načina zapisovanja med zapisovanjem iz vgrajenega radia oz. CD predvajalnika, ko se trak odvijne in ko radio oz. CD predvajalnik še vedno deluje.

#### Zapisovanje iz radia

1. Namestite prazen trak v prostor za kasete in zaprite vratca.
2. Pritisnite tipko za **stanje pripravljenosti / funkcijo** za izbiro FM načina.
3. Izberite zeleno postajo s pritiskom na tipko **naslednji / TUN.** + oz. **prejšnji / TUN.** -
4. Da bi začeli zapisovanje, pritisnite **tipko za zapisovanje**. Tipki za zapisovanje in **predvajanje** se pritisneta hkrati.
5. Pritisnite tipko **stop / izvrzi**, da bi končali zapisovanje.
6. Za predvajanje zapisanega, ukrepajte skladno z navodili za predvajanje kaset.

Pozor: Začasna ustavitev zapisovanja - uporabite tipko pavza na predvajalniku namesto tipke stop / iztakni, da začasno ustavite zapisovanje. Ponovno pritisnite tipko pavza, da ponovno nadaljujete z zapisovanjem.



### Zapisovanje iz CD / USB / AUX

1. Namestite prazen trak v prostor za kasete in zaprite vratca.
2. Pritisnite tipko za stanje pripravljenosti / funkcijo za izbiro CD, USB oz. AUX načina.
3. Namestite CD, USB napravo oz. priklopite zunanjo avdio napravo v AUX vtičnico, nato izberite posnetek, ki ga želite zapisati.
4. Za začetek predvajanja, pritisnite tipko predvajanje / pavza. Za začetek zapisovanja, pritisnite tipko za zapisovanje. Tipki za zapisovanje in predvajanje se pritisneta hkrati.
5. Pritisnite tipko pavza, da prekinete oz. uredite zapisovanje. Ponovno pritisnite tipko, da ponovno nadaljujete z zapisovanjem.
6. Pritisnite tipko stop / izvrzi, da bi zaključili z zapisovanjem.
7. Za predvajanje zapisanega, okrepite skladno z navodili za predvajanje kaset.

### Vrste kaset

Za zapisovanje uporabite le visoko kakovostne kasete (IECTYPE 1). V napravi ni priporočeno uporabljati kaset C120.

### Skrb za mehanizem magnetofona

Vsakih 10 ur delovanja naprave je treba očistiti glavo in pritiskalni valj.



Glava magnetofona in površina valja sta občutljivi, zato se jih ne sme dotikati s kovinskimi predmeti, npr. z izvijačem. Komponente magnetofona najlažje očistite, da pritisnete tipko za predvajanje in s tem iztaknete glavo in valj. Po končanem čiščenju mehanizma pritisnite tipko za ustavitve. Če izklopite napajanje in pustite pritisnjeno tipko za predvajanje, lahko s tem poškodujete pritiskalni valj. Nikakor ne smete mazati delov naprave.

### UPORABA CD/MP3

#### Zgoščenke, ki se lahko predvajajo

Naprava omogoča predvajanje vseh zgoščenk CD, digitalnih zgoščenk MP3; WMA, CD-R, digitalnih avdio zgoščenk CD-R in zgoščenk CD/CDR/CD-RW v obliki CD-DA.

#### Namestitev zgoščenk

1. Pritisnite tipko za stanje pripravljenosti / funkcijo za izbiro CD načina.
2. Odprite CD pogon. Na zaslonu se prikaže sporočilo »OPEN«.
3. Namestite CD zgoščenko (etiketa na zgornji strani).
4. Zaprite CD pogon. Celotno število posnetkov je prikazano na zaslonu šele po odčitavanju.
5. Za odstranitev zgoščenske pritisnite tipko stop in odprite pokrov, primate zgoščenko za robove in jo odstranite.

#### Pozor:

1. Da bi zagotovili pravilno delovanje naprave, počakajte, dokler predvajalnik ne zaključi z branjem zgoščenske.
2. Ko v predvajalniku ni zgoščenske oz. je zgoščenska neprimerno nameščena (etiketa na spodnji strani), prikaže se sporočilo »NO CD«.

#### Predvajanje zgoščenske

Po namestitvi zgoščenske se predvajanje samodejno začne s posnetkom št. 1.

Za ustavitve predvajanja pritisnite tipko predvajanje / pavza. Kazalnik predvajanja bo utripal, na zaslonu se bo prikazala številka trenutnega posnetka.

Za vzpostavitev predvajanja ponovno pritisnite tipko predvajanje/ pavza.

Za ustavitve predvajanja pritisnite tipko Stop, na zaslonu se prikaže celotno število posnetkov.

### **Izbira zelenega posnetka/mesta**

#### **Za izbiro zelenega posnetka**

Pritiskajte tipke naslednji / TUN. + oz. prejšnji / TUN-. dokler se ne prikaže številka zelenega posnetka.

#### **Za iskanje določenega mesta v posnetku med predvajanjem (iskanje po posnetku z veliko hitrostjo)**

Pritisnite in držite tipko naslednji / TUN. + oz. prejšnji / TUN-, za premikanje po posnetku z veliko hitrostjo do določenega mesta, zatem sprostite tipko. Predvajanje se začne od tega mesta dalje.

#### **Za izbiro posnetka s številko višjo od 10 (le zgoščenke z MP3)**

Za izbiro posnetka s številko višjo od 10, pritisnite tipko 10 / fold / M.- oz. 10 / fold / M. +, za posamezen preskok 10 posnetkov naprej ali nazaj, zatem pritisnite tipko naslednji / TUN. + oz. prejšnji / TUN-, da izberete zeleni posnetek. Na primer, če želite izbrati posnetek št. 17, pritisnite tipko 10 / fold / M. +, in nato šestkrat pritisnite tipko naslednji / TUN. +.

#### **Za izbiro zelene mape (le takrat, ko zgoščena z MP3 vsebuje več kot eno mapo)**

Da bi preskočili zaželeno mapo med predvajanjem, pritisnite in držite tipko 10 / fold / M.- oz. 10 / fold / M. +, približno 2 sekundi, za prehod na naslednjo/prejšnjo mapo.

### **Programiranje trakov**

Programiranje trakov je mogoče le v načinu ustavitve. V spominu predvajalnika lahko v katerem koli vrstnem redu programirate do 20 posnetkov CD/99 trakov MP3.

1. V načinu ustavitve pritisnite tipko za programiranje / spomin / način predvajanja; simbol »PROG« utripa in vklopi se kazalnik »P01«.
2. Pritisnite tipko naslednji / TUN. + oz. prejšnji / TUN-, da izberete prvi posnetek za programiranje.
3. Pritisnite tipko za programiranje / spomin / način predvajanje za potrditev. Sporočilo na zaslonu se spremeni v »P02«.
4. Ponovite korake iz točk 1 in 3, da shranite ostale posnetke.
5. Pritisnite tipko za predvajanje / pavzo, da bi začeli s predvajanjem prvega programiranega posnetka.
6. Pritisnite tipko stop, da bi ustavili programirano predvajanje.

### **Za izbris spomina (program predvajanja)**

Program lahko izbrišete na dva načina:

1. Pritisnite tipko stop, ko je predvajanje ustavljeno, oz.
2. Odprite prostor za zgoščenko - program se izbriše.

### **Funkcija ponavljanja (REPEAT)**

Za ponovitev enega posnetka

1. Enkrat pritisnite tipko za programiranje / spomin / način predvajanja v načinu predvajanja; na zaslonu se prikaže utripajoči simbol „R“. Tekoči posnetek bo predvajan večkrat, dokler ne pritisnete tipke stop.
2. Za preklic funkcije ponavljanja pritisnite tipko za programiranje / spomin / način predvajanja dokler simbol „R“ ne izgine iz LCD zaslona.

### **Za ponovitev predvajanja vseh posnetkov**

1. V načinu predvajanja pritisnite tipko za programiranje / spomin / način predvajanja, dokler se na zaslonu ne prikaže simbol „R“; vsi posnetki na zgoščenci bodo predvajani, dokler ne pritisnete tipke stop.
2. Za preklic funkcije ponavljanja pritisnite tipko za programiranje / spomin / način predvajanja dokler simbol „R“ ne izgine iz LCD zaslona.

### Za ponovitev trenutne mape (le MP3)

1. V načinu predvajanja pritisnite tipko za programiranje / spomin / način predvajanja, dokler se na zaslonu ne prikaže simbol »FOLDER«; trenutna mapa bo predvajana, dokler ne pritisnete tipke stop.
2. Za preklic funkcije ponavljanja pritisnite tipko za programiranje / spomin / način predvajanja dokler simbol »FOLDER« ne izgine iz LCD zaslona.

### Naključno predvajanje

V načinu predvajanja pritisnite tipko za programiranje / spomin / način predvajanja, dokler se na zaslonu ne prikaže simbol »RDM«; naključno predvajanje se začne samodejno od naslednjega posnetka in traja do konca seznama posnetkov, nato pa se ustavi. Enkrat pritisnite tipko programiranja / spomina / načina predvajanja, za preklic.

### Začetno predvajanje (Intro)

V načinu predvajanja pritisnite tipko za programiranje / spomin / način predvajanja, dokler se na zaslonu ne pojavi simbol »INTRO«, predvajanje in pregledovanje 10-sekundnih posnetkov se začne samodejno. Za preklic začetnega predvajanja pritisnite tipko za programiranje / spomin / način predvajanja, dokler iz zaslona ne izgine simbol »INTRO«.

### Uporaba USB

1. Pritisnite tipko za stanje pripravljenosti / funkcijo za izbiro USB načina.
2. Priklopite USB spomin v USB vtičnico. Na LCD zaslonu se prikaže celotno število posnetkov in map, ki so shranjeni v USB spominu. Po branju USB spomina, se predvajanje začne samodejno.
3. Za ustavitev predvajanja pritisnite tipko stop. Na zaslonu se prikaže celotno število posnetkov na USB.
4. Funkcije predvajanja s ponavljanjem (ponavljanje 1 posnetka, mape in vseh posnetkov) so opisane v glavi »UPORABA CD/MP3«.

### Pozor:

1. Za priklop spomina USB ne uporabljajte podaljška, saj ta lahko povzroča motnje.
2. Vtičnica USB je na voljo le za predvajanje glasbe. Ne podpira funkcije polnjenja drugih zunanjih naprav.
3. Maksimalni volumen podpiranega spomina je do 32 GB. USB je namenjen le predvajanju glasbe. Podprtih je večina MP3 datotek, obstaja možnost, da se druge glasbene oblike ne predvajajo.
4. Obstaja možnost, da naprava ne podpira predvajanja iz pametnega telefona preko USB kabla in šifriranih USB naprav.

### Uporaba priključka AUX

V napravi je na voljo vtičnica AUX 3,5 mm za priklop MP3 predvajalnika ter drugih virov zvoka za ojačanje avdio signala.

1. Pritisnite tipko za stanje pripravljenosti / funkcijo za izbiro AUX načina.
2. Priklopite en konec avdio kabla (ni priložen) v vtičnico AUX IN, drugega pa povežite z vtičnico AUDIO OUT zunanjega vira zvoka. Naprava se samodejno preklopi na način AUX.
3. nastavite želeno glasnost naprave.
4. Pritisnite tipko za predvajanje na zunanjem viru avdio signala (npr. MP3 predvajalniku), da začnete s predvajanjem

### Specifikacija

Napajanje: AC100-240V ~ 60 / 50Hz  
DC 9V UM-1 x 6szt. (baterije niso sestavni del kompleta)

Teža približno 1.46 kg

Dimenzije približno 285 mm (W) x 213 mm (D) x 140 mm (H)

Delovna temperatura + 5 o C - +45 o C

Val FM 87,5-108 MHz

Maksimalna podprta kapaciteta USB spomina - 32 GB  
Laser 3 - snopi  
Valovna dolžina prenosov 100 Hz - 16KHz  
Sistem zapisovanja 2 kanala (stereofonski)  
Bias System DC Bias  
Val prenašanja 125 - 6,3 KHz  
Wow and flutter 0.35% WRMS (JIS)  
Izhodna moč 1,5 W x 2  
Poraba moči 13 W  
Poraba moči v stanju pripravljenosti <0.5W  
(ta specifikacija se lahko spreminja brez predhodne najave)

## Svarīgas drošības instrukcijas



## Brīdinājums:

Lai samazinātu elektrošoka risku, nedrīkst demontēt ierīces vāku un tās aizmugurējo daļu. Ierīces iekšā nav elementu, ko lietotājs var patstāvīgi remontēt. Ierīces tehnisko apkopi un remontu var veikt tikai kvalificēti servisa centra darbinieki.

## Grafisko simbolu paskaidrojums:



Zibens simbols ar bultiņu galā vienādmaļu trīsstūrī brīdina lietotāju par neizolētu "bīstamu spriegumu" ierīces korpusa iekšā, kas var sasniegt līmeni, radot elektrošoka risku.



Izsaukuma zīme vienādmaļu trīsstūrī brīdina lietotāju, ka šajā brīdī tiek sniegta svarīga informācija par ierīces lietošanu un tehnisko apkopi, kas ietverta ierīcei pievienotajā dokumentācijā.

Izlasiet šo instrukciju pirms ierīces lietošanas sākšanas, lai iepazītos ar ierīces funkcijām un izmantotu tās atbilstoši paredzētajam mērķim. Tas nodrošinās ilglaicīgu un nekaitīgu ierīces darbību un patikamu lietošanu.

## Svarīga informācija

- Saglabājiet lietošanas instrukciju un informāciju par drošību turpmākai izmantošanai.
- Nepieļaujiet šķidruma pilēšanu vai izliešanu uz ierīces. Ierīci nedrīkst arī lietot mitrās vietās, piemēram, vannas istabā.
- Šo ierīci nedrīkst uzstādīt šādās vietās:
  - vietās, kas pakļautas tiešai saules staru iedarbībai, vai radiatoru tuvumā;
  - novietojot to uz cita stereopriekojuma, kas rada siltumu;
  - bloķējot ventilāciju vai putekļainā vietā;
  - vietās, kas pakļautas nepārtrauktām vibrācijām;
  - vietās ar augstu mitruma līmeni.
- Ierīci nedrīkst uzstādīt sveču vai atklātas uguns tuvumā.
- Ierīci var lietot tikai šajā instrukcijā aprakstītajā veidā.
- Pirms ierīces pirmās ieslēgšanas reizes pārliecinieties, ka barošanas bloks ir pareizi pievienots.
- Pievienojiet USB atmiņu tiešā veidā vai izmantojot 25 cm garu USB pagarinātāju.

Drošības apsvērumu nedrīkst demontēt korpusu un iekļūt ierīces iekšpusē. Ierīces remonts jāveic kvalificētam servisa centra personālam.

Neizjauciet ierīci un neatveriet tās korpusu, jo tās iekšā nav nekādu elementu, ko lietotājs var remontēt patstāvīgi. Ierīces tehnisko apkopi un remontu var veikt tikai kvalificēti servisa centra darbinieki.

## DROŠĪBAS INSTRUKCIJAS

- 1. Izlasiet instrukcijas** — pirms ierīces lietošanas sākšanas izlasiet visu lietošanas instrukciju un informāciju par drošību.
- 2. Saglabājiet instrukcijas** — saglabājiet lietošanas instrukcijas turpmākai izmantošanai.
- 3. Ievērojiet brīdinājumus** — ievērojiet visus brīdinājumus, kas sniegti uz ierīces, un lietošanas instrukcijas.
- 4. Ievērojiet instrukciju** — ievērojiet lietošanas instrukciju un norādījumus lietotājam.
- 5. Uzstādīšana** — uzstādiet ierīci atbilstoši ražotāja instrukcijām.
- 6. Barošanas avoti** — ierīcei ir jābūt barotai tikai no avotiem ar parametriem, kas norādīti marķējumā uz barošanas kabeļa. Ja lietotājs nav pārliecināts, kāda veida barošanas avots ir viņa mājās, viņam ir jāsazinās ar ierīces pārdevēju vai vietējo elektroenerģijas piegādātāju.
- 7. Barošanas avota izemēšana vai polarizācija** — ierīcei nav jābūt izemētai. Pārliecinieties, ka kontaktakšis ir pilnībā ievietota elektrotīkla kontaktligzdā vai pagarinātājā, lai nepieļautu kontakttapu vai kontaktu atklāšanu. Dažas ierīces versijas var būt aprīkotas ar polarizētu maiņstrāvas kontaktakšus (ar vienu plataku kontakttapu). Šo kontaktakšus var pievienot elektrotīkla kontaktligzdai tikai vienā veidā. Tā ir aizsardzības funkcija. Ja kontaktakšus nav iespējams ievietot kontaktligzdā, mēģiniet to apgriezt otrādi. Ja kontaktakšis joprojām neatbilst kontaktligzdai, uzdodiet tās noaiņu elektrīķim. Nenonemiet aizsargus no polarizētās kontaktakšas. Izmantojot pagarinātāju vai citu barošanas vadu, kas neietilpst ierīces komplektā, tiem ir jābūt atbilstošām kontaktakšām un drošības sertifikātam, kas nepieciešams noteiktā valstī.
- 8. Barošanas kabeļa aizsargs** — novietojiet barošanas kabeļu tā, lai nebūtu iespējams staigāt pa tiem, saspiesti vai sagriezt tos ar citiem priekšmetiem. Pievērsiet īpašu uzmanību kontaktakšām, elektrotīkla kontaktligzdām un vietām, kur kabeļi tiek izvadīti no ierīces.
- 9. Pārslodze** — nepārslogojiet sienas kontaktligzdas, pagarinātājus un elektriskos sadalītājus, jo tas var izraisīt ugunsgrēku vai elektrošoku.
- 10. Ventilācija** — ierīcei jābūt atbilstoši vēdinātai. Ierīci nedrīkst uzstādīt uz gultas, dīvāna vai līdzīgām virsmām. Ierīci nedrīkst aizsegēt ar galdautiem, salvetēm, avīzēm utt.
- 11. Siltums** — neuzstādiet ierīci siltuma avotu, piemēram, radiatoru, sildītāju, krāšņu vai citu ierīču (tostarp pastiprinātāju), kas rada siltumu, tuvumā. Neuzstādiet aizdegas sveces un citus atklātas uguns avotus uz ierīces.
- 12. Ūdens un mitrums** — lai samazinātu ugunsgrēka vai elektrošoka risku, nepakļaujiet ierīci tiešai lietus, ūdens un mitruma iedarbībai, piemēram, pirti vai vannas istabā. Nelietojiet šo ierīci ūdens tuvumā, piemēram, vannas, izlietnes, virtuves izlietnes vai veļas tovera tuvumā, mitrā pagrabā vai peldbaseina tuvumā (vai līdzīgās vietās).
- 13. Priekšmeti un šķidrumi ierīcē** — neievietojiet nekādus priekšmetus cauri ierīces atverēm, jo tie var saskarties ar vietām zem bīstamā sprieguma un detālām, kas var izraisīt ugunsgrēku vai elektrošoku. Nekādā gadījumā nedrīkst izliet nekādus šķidrumus uz ierīces virsmas. Uz ierīces augšpusi nedrīkst novietot priekšmetus, kas satur šķidrumus.
- 14. Tīrīšana** — pirms ierīces tīrīšanas vienmēr atvienojiet to no elektrotīkla kontaktligzdas. Putekļus ap skārņi var ņemt ar sausu lupatīņu. Ja tīrīšanai ir jāizmanto aerosols, nevērsiet izsmidzināmo strūklu tieši pret ierīci, bet gan uz lupatīņu. Pievērsiet uzmanību tam, lai nesabojātu piedziņas vienības.



- 15. Papildaprīkojums** — nedrīkst lietot piederumus, ko ražotājs nav apstiprinājis, jo tie var radīt risku.
- 16. Piederumi** — ierīci nedrīkst uzstādīt uz nestabiliem ratiņiem, statīva, balsta vai galdā. Ierīce var apgāzties, sabojāties un radīt nopietnas traumas bērnam vai pieaugušajam. Izmantojiet tikai ratiņus, statīvus, balstus un galdus, ko norādījis ražotājs vai kas tiek pārdoti kopā ar ierīci. Ierīces salikšana ir jāveic atbilstoši ražotāja instrukcijām, izmantojot ražotāja ieteikto montāžas komplektu.
- 17. Ierīces pārvietošana** — pārvietojiet ierīci, kas novietota uz ratiņiem, ļoti piesardzīgi. Pēkšņa apstāšanās, pārmērīgs spēks vai nelīdzens virsmas var izraisīt ratiņu ar ierīces apgāšanos.
- 18. Ierīces nelietošanas laiks** — atvienojiet barošanas kabeli no elektrotīkla kontaktligzdas pērkona negaisa laikā vai ja ierīce netiek lietota ilgāku laiku.
- 19. Tehniskā apkope un remonts** — nemēģiniet patstāvīgi veikt ierīces apskati. Vāka atvēršana var izraisīt saskari ar bīstamu spriegumu un citā veidā apdraudēt lietotāju. Ierīces tehnisko apkopi un remontu var veikt tikai kvalificēti servisa centra darbinieki.
- 20.** Ja ierīce netiek lietota, atvienojiet tās kontaktakšu no elektrotīkla kontaktligzdas. Ja ierīce ir pievienota barošanas avotam, tā ir gaidstāves režīmā un nav pilnīgi izslēgta.
- 21. Rezerves daļas** — nomainot ierīces daļas pret jaunām, pārlicinieties, ka servisa centra darbinieks ir izmantojis ražotāja ieteiktās rezerves daļas vai ka tās ir identiskas oriģinālajām daļām. Daļas nomaļņās veikšana, izmantojot neapstiprinātas daļas, var izraisīt ugunsgrēku, elektrošoku vai citus riskus.
- 22. Galvenie drošinātāji** — lai nodrošinātu nepārtrauktu ierīces aizsardzību pret uguni, izmantojiet drošinātājus ar atbilstošu tipu un parametriem. Drošinātāju parametri noteiktā sprieguma diapazonā ir norādīti uz ierīces.
- 23.** Nepaaugstiniet skaļumu, klausoties dziesmas fragmentu ar zemu skaļumu vai ja nav ieejas audio signāla. Pretējā gadījumā signāla intensitātes strauja paaugstināšanās var izraisīt skaļruņa bojājumus.
- 24.** Vienīgais veids, kā pilnībā atvienot ierīci no barošanas avota, ir atvienot barošanas kabeli no barošanas kontaktligzdas vai ierīces. Elektrotīkla kontaktligzdas vai barošanas kabeļa ieejai ierīcē ir vienmēr jābūt pieejamām ierīces lietošanas laikā.
- 25.** Ierīce ir jānovieto elektrotīkla kontaktligzdas vai pagarinātāja tuvumā tā, lai tie vienmēr būtu pieejami.
- 26.** Maksimālā temperatūra ierīces apkārtne ir 35 °C.
- 27.** Norādījumi par elektrostatiskajām izlādēm — ja ierīces darbību traucē elektrostatiskās izlādes, izslēdziet ierīci un atkārtoti ieslēdziet to vai pārvietojiet ierīci citā vietā.
- 28. Baterija**
- Baterijas nedrīkst pakļaut pārmērīga siltuma, piemēram, saules staru, uguns u. tml. iedarbībai.
  - Uzturējot baterijas, pievērsiet uzmanību apkārtējās vides aizsardzības aspektiem.
  - Bridinājums par bateriju lietošanu: lai novērstu baterijas nopūdi, kas var izraisīt traumas vai ierīces bojājumus:
    - ievietojot bateriju, ņemiet vērā tā polaritāti (+ un -);
    - nedrīkst vienlaicīgi lietot dažāda veida baterijas — vecās un jaunās, standarta un sārma baterijas utt.;
    - izņemiet baterijas no ierīces, kad tā netiek lietota ilgāku laiku.

#### Piezīme par ERP2 (ar enerģiju saistītajām iekārtām)

Šī ekodizaina ierīce atbilst Komisijas Regulas (EK) Nr. 1275/2008, ar ko īsteno Eiropas Parlamenta un Padomes Direktīvu 2005/32/EK iestrādātās ekodizaina prasības attiecībā uz elektrisko, elektronisko mājāsaimniecības un biroja iekārtu elektroenerģijas patēriņu gatavības un izslēgtā režīmā, 2. posma prasībām. Pēc 15 minūtēm bez ieejas audio signāla ierīce automātiski pāriet gaidstāves režīmā. Informāciju par normālas darbības atjaunošanu var atrast lietošanas instrukcijā.

#### Svarīga informācija

Šī ierīce ir aprīkota ar enerģijas taupīšanas režīma funkciju: ja 15 minūšu laikā tai netiek nosūtīts ieejas signāls, ierīce automātiski pāriet gaidstāves režīmā, lai taupītu enerģiju (ERP 2 standarts). Ņemiet vērā, ka zema skaļuma līmeņa iestatīšana audio signāla avotā var tikt atzīta par stāvokli "nav audio signāla": tas var ietekmēt ierīces spēju uztvert signālu no ierīces un izraisīt automātisku pāreju gaidstāves režīmā. Šādā gadījumā ir jāatjauno audio signāla pārraide vai jāpaaugstina skaļuma līmenis audio signāla avotā (MP3 atskaņotāja u. tml.), lai atsāktu atskaņošanu. Ja problēma joprojām pastāv, sazinieties ar vietējo servisa centru.

#### BRĪDINĀJUMS

Ierīci nedrīkst lietot personas (tostarp bērni) ar samazinātām fiziskām, vaiņū un ja garīgām spējām un personas ar nepietiekamām zināšanām un pieredzi, ja vien viņas neatrodas personas, kas atbilst par viņu drošību, uzraudzībā un nav apmācītas, kā droši lietot ierīci. Pieaugušo klātbūtnē ir nepieciešama, ja ierīci lieto bērni, lai nodrošinātu drošu ierīces lietošanu.

- Neatstājiet ierīci darbības laikā bez uzraudzības! Izslēdziet ierīci, ja tā netiek lietota, pat īsu brīdi.
- Ierīci nedrīkst apkalpot, izmantojot ārējo taimeru vai atsevišķu sistēmu ar tālvadību.
- Lai izvairītos no riska, kas rodas barošanas kabeļa bojājuma gadījumā, tās nomaļņā ir jāveic ražotājam, pilnvarotam servisa centram vai citai personai ar atbilstošu kvalifikāciju.
- Pirms ierīces lietošanas sākšanas pārlicinieties, ka tās spriegums atbilst spriegumam vietējā barošanas tīklā.
- Neaizsedziet ierīces ventilācijas atveres, piemēram, ar avizēm, galdautu, aizkariem u. tml. Pārlicinieties, ka virs ierīces ir vismaz 20 cm brīvas vietas un vismaz 5 cm katrā tās pusē.
- Nepieļaujiet šķidruma pilēšanu vai izliešanu uz ierīces un nenovietojiet uz tās priekšmetus, kas piepildīti ar šķidrumiem, piemēram, vāzes.
- Lai izvairītos no ugunsgrēka vai elektrošoka, aizsargājiet ierīci no karstām vietām, lietus, mitruma un putekļu iedarbības.
- Nenovietojiet ierīci nekādā ūdens avotā, piemēram, krānu, vannu, veļas mazgājamo mašīnu vai peldbaseinu tuvumā.
- Uzstādiet ierīci uz līdzenas un stabilas pamatnes.
- Nepakļaujiet ierīci spēcīga magnētiskā lauka iedarbībai.
- Nenovietojiet ierīci tieši uz pastiprinātāja vai resīvera.

11. Nenovietojiet ierīci mitrā vietā, jo mitrums negatīvi ietekmē elektriskās detaļas.
12. Pēc ierīces pārvietošanas no aukstas siltā vietā vai mitrā vietā mitrums var kondensēties uz atskaņotāja lēcas. Šādā gadījumā ierīce nedarbosies pareizi. Atstājiet ierīci ieslēgtu uz aptuveni vienu stundu, lai mitrums iztvaikotu.
13. Ierīci nedrīkst tīrīt ar ķīmiskiem šķīdinātājiem, jo tie var sabojāt korpusa lakas pārklājumu. Noslaukiet ierīci ar tīru, sausu un nedaudz samitrinātu lupatiņu.
14. Izvelkot kontaktdakšu no sienas kontaktligzdas, vienmēr velciet aiz kontaktdakšas, nevis aiz barošanas kabeļa.
15. Ja ieslēgta ierīce tiek lietota ieslēgta televizora tuvumā, tas var radīt attēla traucējumus linijū uz ekrāna veidā. Tas ir atkarīgs no TV pārraides viļņu joslas. Tas nenozīmē, ka ierīce vai televizors darbojas nepareizi. Ja ir redzamas šādas līnijas, attāliniet ierīci no televizora.
16. Elektrotrikla kontaktdakša ir paredzēta atvienošanai no barošanas sprieguma, un tai ir vienmēr jābūt pieejamai.
17. Lai uzturētu kompaktdisku nolasišanas lāzera galviņu tīru, nepieskarieties tai un vienmēr aizveriet disku nodalījumu.
18. Atskaņošanas laikā disks griežas ar lielu ātrumu. Ierīci NEDRĪKST pacelt vai pārvietot, jo tas var kļūt par diska vai pašas ierīces bojājuma iemeslu.
19. Pirms ierīces pārvešanas citā vietā vai uz pārceļšanās laiku izņemiet disku un aizveriet nodalījumu. Pēc tam izslēdziet strāvu un atvienojiet strāvas kabeli. Ierīces pārvešana ar disku nodalījumā var kļūt par tās bojājuma iemeslu.
20. Pēc diska atskaņošanas ievietojiet to iepakojumā. Nepakļaujiet diskus tiešai saules staru un siltuma avotu iedarbībai. Diskus nedrīkst atstāt automašīnas, kas novietota tiešā saules gaismā, salonā.
21. Nepieskarieties tai diska pusei, uz kuras nav etiķetes. Turiet diskus aiz malām, lai neatstātu pirkstu nospiedumus. Putekļi, pirkstu nospiedumi vai skrāpējumi uz diskieiem var izraisīt atskaņotāja nepareizu darbību. Diskam nedrīkst pielīmēt līmlapiņas vai līmlenti.
22. Diska tīrīšanai izmantojiet tīru drāniņu, kas neatstāj plūksnas. Sāciet tīrīšanu ar taisnvirziena kustību no diska vidus līdz tā malai, izmantojot šim mērķi plaši pieejamus tīrīšanas līdzekļus vai antistatiskus līdzekļus vinila diskieim.
23. Lai izvairītos no iespējamās dzirdes zaudēšanas, neklausieties mūziku skaļi pārāk ilgi.



#### BRĪDINĀJUMS! STAROJUMA AVOTS

CLASS 1 LASER PRODUCT  
LIDZĀRĪ LASERLĀITE  
KLASSE 1 LASERSTRALĀT

Šis marķējums nozīmē, ka ierīces iekšpusē atrodas lāzera komponenti. Atverot kompaktdisku nodalījumu vāciņu un apejot drošības bloķētājus, lietotājs tiek pakļauts starojumam. Ierīces darbības laikā nedrīkst skatīties uz lāzera staru.

#### PIRMS DARBA SĀKŠANAS

Piezīmes par kompaktdiskiem.

Tā kā netīri, bojāti vai deformēti diski var izraisīt ierīces bojājumu, pievērsiet uzmanību šādiem elementiem.

- a. Kompaktdiski, ko var lietot. Var lietot tikai turpmāk norādītos diskus.
- b. Kompaktdiski tikai ar digitālo audio skaņu.

COMPACT  
**disc**  
DIGITAL AUDIO

#### PIEZĪME

##### Deklarācija



Ar šo uzņēmums Blaupunkt Competence Center 2N-Everpol Sp. z o.o. apliecina, ka šī ierīce atbilst Direktīvas 2014/53/ES prasībām un citiem attiecīgajiem noteikumiem. Pilnu atbilstības deklarāciju var iegūt produkta cilnē tīmekļa vietnē [www.blaupunkt.com](http://www.blaupunkt.com).

Reģistrācijas apliecības īpašnieks: 2N-Everpol Sp. z o.o., Puławska 403A, 02-801 Warszawa, Polija, tālrunis: +48 22 331 99 59, e-pasts: [info@everpol.pl](mailto:info@everpol.pl)



Produkts ir izgatavots no augstas kvalitātes materiāliem un sastāvdaļām, ko var nodot otrreizējai pārstrādei un izmantot atkārtoti.



Ja uz ierīces ir pārsvītrotas atkritumu tvērtnes zīme, tas nozīmē, ka produktam piemēro Eiropas direktīvas 2012/19/ES prasības. Iepazīstieties ar prasībām par vietējo elektrisko un elektronisko iekārtu atkritumu savākšanas sistēmu. Rīkojieties atbilstoši vietējo tiesību aktu noteikumiem. Šo produktu nedrīkst izmest kopā ar parastiem mājāsaimniecības atkritumiem. Vecā produkta pareiza likvidēšana novērš iespējamās negatīvas sekas apkārtējai videi un cilvēku veselībai.

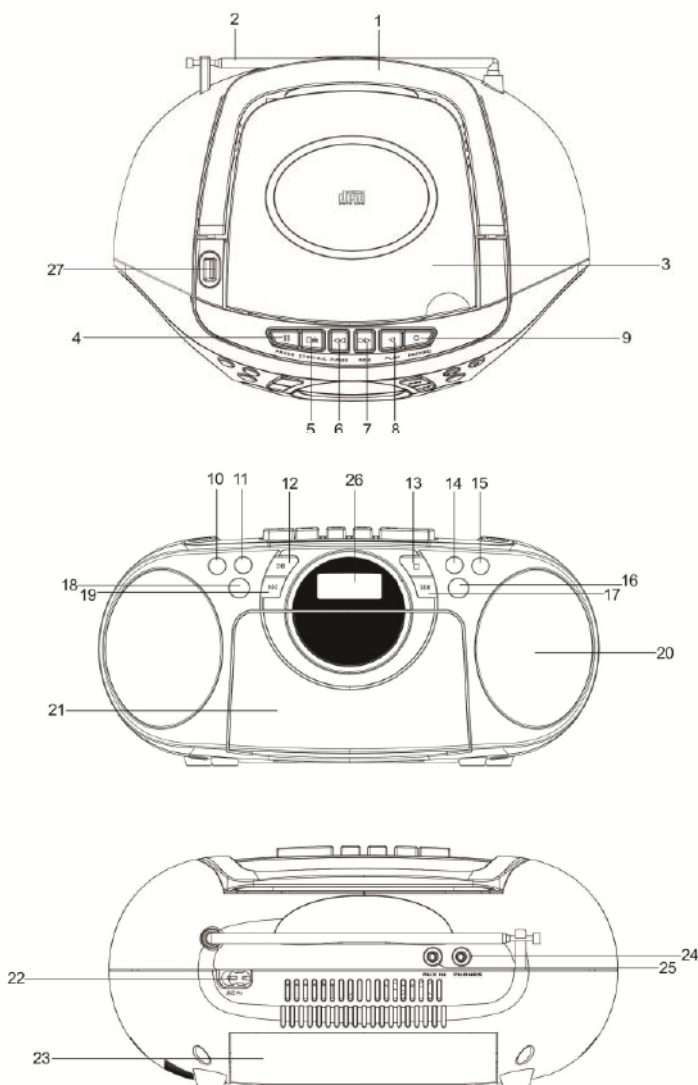


Ierīce ir aprīkota ar baterijām, kurām piemēro Eiropas direktīvu 2006/66/EK. Baterijas nedrīkst izmest kopā ar mājāsaimniecības atkritumiem. Iepazīstieties ar vietējo tiesību aktu noteikumiem par bateriju atsevišķu savākšanu, jo to pareiza utilizācija novērš iespējamās negatīvas sekas apkārtējai videi un cilvēku veselībai.

**Informācija par apkārtējās vides aizsardzību**

Iepakojums ietver tikai nepieciešamus elementus. Ir izdarīts viss iespējams, lai trīs materiāli, no kuriem izgatavots iepakojums, būtu viegli atdalāmi: kartons (kastīte); polistirola putas (iekšējie aizsargelementi) un polietilēns (maisīti, aizsargplēve). Ierīce ir izgatavota no materiāliem, ko var nodot atreizējai pārstrādei un izmantot atkārtoti pēc to demontāžas specializētā uzņēmumā. Ievērojiet vietējo tiesību aktu noteikumus par iepakojuma materiālu, nolietoto bateriju un nevajadzīgu ierīču utilizāciju.

Materiālu ierakstīšanai un atskaņošanai var būt nepieciešama atļaujas iegūšana. Skatīt likumu par autortiesībām un izpildītāju/mākslinieku tiesībām.

**Vadības ierīču izvietojums**


**Vadības elementi**

1. Rokturis
2. FM antena
3. Kompaktdisku nodalījuma vāciņš
4. Poga "Pauze"
5. Poga "Stop/Izņemt"
6. Poga "Patīt uz priekšu"
7. Poga "Patīt atpakaļ"
8. Atskaņošanas poga
9. Ierakstīšanas poga
10. Poga "10/Fold/M. -"
11. Poga "10/Fold/M. +"
12. Atskaņošanas/pauzes poga
13. Poga "Stop"
14. Skaļuma mazināšanas poga
15. Skaļuma palielināšanas poga
16. Gaidstāves režīma/funkciju poga
17. Poga "Nākamā/Tune +"
18. Programmēšanas/atmiņas/atskaņošanas režīma poga
19. Poga "Iepriekšējā/Tune -"
20. Skaļrunis
21. Kasetes nodalījums
22. AC pieslēgvietā
23. Bateriju nodalījums
24. Austiņu ligzda
25. AUX pieslēgvietā
26. LCD displejs
27. USB pieslēgvietā

**STRĀVAS AVOTS**

Ierīci var darbināt no elektrotīkla vai ar baterijām.

**Strāvas padeve no elektrotīkla**

Pievienojiet strāvas kabeļa spraudni ierīces ligzdai, un kontaktligzdu — sienas kontaktligzdai. Baterijas tiek automātiski atvienotas.

**Strāvas padeve no baterijām**

Atveriet bateriju nodalījuma vāku. Ievietojiet 6 UM-1/D baterijas (neietilpst komplektā) nodalījumā. Pievērsiet uzmanību norādītajai polaritātei.

**BRĪDINĀJUMS**

Izņemiet baterijas no ierīces, ja tā netiek lietota ilgāku laiku. Baterijas satur ķīmiskas vielas, tāpēc tās ir pareizi jāutilizē.

**PAMATFUNKCIJAS****Ierīces ieslēgšana**

Pēc strāvas avota pievienošanas nospiediet gaidstāves režīma/funkciju pogu, lai ieslēgtu ierīci. Pēc tam nospiediet gaidstāves režīma/funkciju pogu, lai izvēlētos CD/USB/AUX/TAPE vai RADIO režīmu. Ilgi turot nospiestu gaidstāves režīma/funkciju pogu, ierīce tiek izslēgta.

**PIEZĪME.** CD/USB/AUX/TAPE režīmā, ja atskaņošana netiek veikta 60 minūšu laikā, ierīce automātiski pārslēdzas uz gaidstāves režīmu. Kasešu atskaņošanas režīmā ierīce automātiski pārslēdzas uz gaidstāves režīmu, ja kasete netiek atskaņota 60 minūšu laikā. Lai atkārtoti ieslēgtu ierīci, nospiediet gaidstāves režīma/funkciju pogu vai atkārtoti pievienojiet ierīci.

**Norādījumi par elektrostatiskajām izlādēm** — ja ierīces darbību traucē elektrostatiskās izlādes, izslēdziet ierīci un ieslēdziet to atkārtoti.

**Skaļuma regulēšana**

Nospiediet pogu VOL. +/-, lai palielinātu vai samazinātu skaļumu.

**Austiņu ligzda**

Lai nodrošinātu diskretu klausīšanos, pievienojiet austiņas ar 3,5 mm spraudni (neietilpst komplektā) austiņu ligzdai. Skaļruņa izeja tiek automātiski izslēgta.

Bridinājums! Pārāk ilgstoša austiņu lietošana ar augstu skaļuma līmeni var pasliktināt dzirdi.

**FM radio funkcija**

Pirms sākat klausīties radio, pilnībā izbīdīet FM antenu un mēģiniet pārvietot ierīci tuvāk logam, lai nodrošinātu labāku signāla uztveri. Nospiediet gaidstāves režīma/funkciju pogu, lai pārietu uz FM radio režīmu.

**1. FM radiostaciju meklēšana un atrašana:** Iši nospiediet pogu Tune +/-, lai paaugstinātu vai samazinātu FM frekvenci par 0,05 MHz. Nospiediet pogu Tune +/- un turiet to nospiestu divas sekundes, lai automātiski atrastu un atskaņotu pieejamās radiostacijas augšup vai lejup pa joslu. Nospiediet šo pogu, lai atrastu nākamo radiostaciju.

- 2. Radiostaciju manuāla saglabāšana** Pēc vēlamās radiostācijas izvēlēšanās ar pogu Tune +/- nospiediet programmēšanas/atmiņas/atkaņošanas režīma pogu, lai sāktu programmēšanu. Nospiediet pogu 10/fold/M. – vai 10/fold/M. +, lai izvēlētos numuru, ar kuru jūs vēlaties ieprogramēt radiostaciju (maksimālais ieprogramēto radiostaciju skaits ir 40). Atkārtoti nospiediet programmēšanas/atmiņas/atkaņošanas režīma pogu, lai apstiprinātu izvēli. Radiostacija tiek saglabāta ar izvēlēto numuru.
- 3. Automātiska radiostaciju programmēšana (iespēja automātiski atrast un ieprogramēt līdz 40 radiostacijām):** Iši nospiediet pogu atkaņošanas/pauzes pogu, lai iedarbinātu pieejamu radiostaciju automātiskās atrašanas un saglabāšanas režīmu. Īsi nospiediet pogu 10/fold/M. – vai 10/fold/M. +, lai izvēlētos ieprogramēto radiostaciju.

## MAGNETOFONA LIETOŠANA

### Mūzikas atkaņošana no kasetes

Pirms ievietojat kaseti ierīcē, pievelciet kasetes lenti. Ievietojiet zīmuli vai pildspalvu kasetes atverē un pagrieziet to, lai pievilktu lenti. Nospiediet apturēšanas/atvēršanas pogu, lai atvērtu kasetes nodalījumu. Ievietojiet kaseti nodalījumā (ar daļu ar redzamu lenti vērstu uz augšu un pilnu spoles daļu kreisajā pusē), iespiediet to līdz galam un aizveriet nodalījumu. Lentei nedrīkst pieskarties. Uzstādiet lentes pārslēgu pozīcijā "TAPE" un nospiediet kasetes atkaņošanas pogu. Lai apturētu atkaņošanu, nospiediet nodalījuma apturēšanas/atvēršanas pogu. Lai izņemt kaseti, atkārtoti nospiediet nodalījuma apturēšanas/atvēršanas pogu.

### AUTO STOP

Pēc lentes atkaņošanas vai ierakstīšanas beigām iebūvētā automātiskās apturēšanas sistēma atlaiž atkaņošanas vai ierakstīšanas pogu. Ierakstīšanas no iebūvētā radio vai kompaktdiska atkaņotāja laikā automātiskās apturēšanas sistēma aptur ierakstīšanas režīmu, kad lente beidzas, un radio vai kompaktdisku atkaņotājs turpina darbosies.

### Ierakstīšana no radio

1. Ievietojiet tukšu lenti kasetes nodalījumā un aizveriet vāciņu.
2. Nospiediet pogu gaidstāves režīma/funkciju pogu, lai izvēlētos FM režīmu.
3. Izvēlieties vēlamo staciju, nospiežot pogu Nākamā /TUN. + vai Iepriekšējā/TUN. –.
4. Nospiediet ierakstīšanas pogu, lai sāktu ierakstīšanu. Ierakstīšanas un atkaņošanas pogas tiek nospiestas vienlaicīgi.
5. Nospiediet pogu Stop/izņemt, lai pabeigtu ierakstīšanu.
6. Lai klausītos ierakstu, rīkojieties atbilstoši instrukcijai par kasetes atkaņošanu.

**Piezīme.** Lai īslaicīgi apturētu ierakstīšanu, izmantojiet pauzes pogu pie kasešu atkaņotāja pogas Stop/izņemt, lai īslaicīgi apturētu ierakstīšanu. Nospiediet atkārtoti pauzes pogu, lai atsāktu ierakstīšanu.

### Ierakstīšana no CD/USB/AUX

1. Ievietojiet tukšu lenti kasetes nodalījumā un aizveriet vāciņu.
2. Nospiediet gaidstāves režīma/funkciju pogu, lai izvēlētos CD, USB vai AUX režīmu.
3. Ievietojiet kompaktdisku vai USB ierīci vai pievienojiet ārējo audio ierīci AUX līgzdai, pēc tam izvēlieties dziesmu, ko jūs vēlaties ierakstīt.
4. Nospiediet pogu Atkaņot/pauze, lai sāktu atkaņošanu. Nospiediet ierakstīšanas pogu, lai sāktu ierakstīšanu. Ierakstīšanas un atkaņošanas pogas tiek nospiestas vienlaicīgi.
5. Nospiediet pauzes pogu, lai pārtrauktu vai rediģētu ierakstīšanu. Nospiediet to atkārtoti, lai atsāktu ierakstīšanu.
6. Nospiediet pogu Stop/izņemt, lai pabeigtu ierakstīšanu.
7. Lai klausītos ierakstu, rīkojieties atbilstoši instrukcijai par kasetes atkaņošanu.

Kasešu veidi

Lietojiet tikai augstas kvalitātes kasetes (1. TIPA IEC). Šajā ierīcē nav ieteicams lietot C120 kasetes.

### Magnetofona mehānisma kopšana

Tīriet galviņu un piespiedējriteni/spoli ik pēc 10 darba stundām.



Atkaņošanas galviņa un piespiedējriteņa virsma ir trausla, tai nedrīkst pieskarties ar metāla priekšmetiem, piemēram, skrūvriezni. Magnetofona elementus var vieglāk notīrīt, nospiežot atkaņošanas pogu, lai izbidītu galviņu un piespiedējriteni. Pēc mehānisma tīrīšanas beigām nospiediet apturēšanas pogu. Atstājot nospiestu atkaņošanas pogu pēc strāvas atvēršanas, piespiedējritenis var tikt bojāts. Nekādā gadījumā nedrīkst ieeļļot ierīces elementus.

### CD/MP3 ATBALSTS

#### Atkaņojami diski

Ierīce ļauj atkaņot visus audio kompaktdiskus, pabeigtus digitālos MP3 diskus, WMA CD-R diskus, pabeigtus digitālos audio CD-R diskus un CD/CD-R/CD-RW diskus CD-DA formātā.

#### Diska ievietošana

1. Nospiediet gaidstāves režīma/funkciju pogu, lai izvēlētos CD režīmu.
2. Atveriet kompaktdiska nodalījuma vāciņu. Uz displeja parādās ziņojums "OPEN".



3. Ievietojiet disku nodaļījumā (ar etiķeti uz augšu).
4. Aizveriet disku nodaļījuma vāciņu. Kopējais dziesmu skaits tiek parādīts uz ekrāna pēc nolaišanās beigām.
5. Lai izņemtu kompaktdisku, nospiediet pogu "Stop" un atveriet vāciņu, paņemiet disku aiz malām un izņemiet to.

**Piezīme.**

1. Lai nodrošinātu ierīces pareizu darbību, pagaidiet, līdz atskaņotājs pabeidz nolaišot disku.
2. Ja atskaņotājā nav diska vai disks ir ievietots otrādi (ar etiķeti uz leju), tiek parādīts ziņojums "NO CD".

**Kompaktdiska atskaņošana**

Pēc diska ievietošanas atskaņošana sākas automātiski ar 1. dziesmu. Lai apturētu atskaņošanu, nospiediet atskaņošanas/pauzes pogu. Atskaņošanas indikators mirgo, un atskaņotās dziesmas numurs parādās uz displeja. Lai atsāktu atskaņošanu, atkārtoti nospiediet atskaņošanas/pauzes pogu. Lai apturētu atskaņošanu, nospiediet pogu Stop, uz displeja parādās kopējais dziesmu skaits.

**Vēlamās dziesmas/vietas izvēle****Lai izvēlētos vēlamo dziesmu**

Secīgi nospiediet pogu Nākamā/TUN. + vai iepriekšējā/TUN. – līdz vēlamās dziesmas parādīšanās brīdim.

**Lai atrastu noteiktu vietu dziesmā atskaņošanas vietā (dziesmas pārmeklēšana ar lielu ātrumu)**

Nospiediet pogu Nākamā/TUN. + vai iepriekšējā/TUN. –, lai ritinātu pašreizējo dziesmu ar lielu ātrumu līdz noteiktai vietai, pēc tam atlaidiet pogu. Atskaņošana sākas ar šo vietu.

**Lai izvēlētos dziesmu, kuras numurs ir augstāks par 10 (tikai MP3 diski)**

Lai izvēlētos dziesmu vai celiņu, kuru numurs ir augstāks par 10, nospiediet pogu 10/fold/M. – vai 10/fold/M. +, lai katru reizi pārietu uz priekšu/atpakaj par 10 dziesmām, pēc tam nospiediet pogu Nākamā/TUN. + vai iepriekšējā/TUN. –, lai izvēlētos vēlamo dziesmu. Piemēram, lai izvēlētos 17. dziesmu, nospiediet pogu 10/fold/M. +, pēc tam sešas reizes nospiediet pogu Nākamā/TUN. +.

**Lai izvēlētos vēlamo mapi (tikai tad, ja MP3 diski ietver vairāk par vienu mapi)**

Lai izlaistu vēlamo mapi atskaņošanas laikā, nospiediet pogu 10/fold/M. – vai 10/fold/M. + un turiet to nospiestu aptuveni divas sekundes, lai pārietu uz nākamo/iepriekšējo mapi.

**Celiņu programmēšana**

Celiņu programmēšana ir iespējama tikai apturēšanas režīmā. Atskaņotāja atmiņā var ieprogramēt jebkuru secībā līdz 20 kompaktdisku dziesmu/99 MP3 celiņiem.

1. Nospiediet programmēšanas/atmiņas/atkaņošanas režīma pogu apturēšanas režīmā. Simbols "PROG" sāk mirgot un iedegas indikators "P01".
2. Nospiediet pogu Nākamais/TUN. + vai iepriekšējais/TUN. –, lai izvēlētos pirmo dziesmu programmēšanai.
3. Nospiediet programmēšanas/atmiņas/atkaņošanas režīms pogu, lai to apstiprinātu. Displeja rādījums mainās uz "P02".
4. Atkārtojiet 2. un 3. punktā aprakstītās darbības, lai saglabātu citas dziesmas līdz visu dziesmu ieprogramēšanai.
5. Nospiediet atskaņošanas/pauzes pogu, lai iedarbinātu atskaņošanu, sākot ar pirmo ieprogramēto dziesmu.
6. Nospiediet pogu stop, lai apturētu ieprogramēto atskaņošanu.

**Lai dzēstu atmiņu (atskaņošanas programma)**

Programmu var dzēst divos veidos:

1. Nospiediet pogu stop pie apturētas atskaņošanas vai
2. Atveriet diska nodaļījuma vāciņu — programma tiek dzēsta.

**Atkārtošanas funkcija (REPEAT)**

Lai atkārtotu vienas dziesmas atskaņošanu:

1. Nospiediet vienu reizi programmēšanas/atmiņas/atkaņošanas režīma pogu atskaņošanas režīmā; uz displeja parādās simbols "R", kas sāk mirgot. Pašreizējā dziesma tiek atskaņota vairākkārtīgi līdz pogas stop nospiešanas brīdim.
2. Lai atceltu atkārtošanas funkciju, nospiediet programmēšanas/atmiņas/atkaņošanas režīma pogu līdz brīdim, kad simbols "R" pazūd no LCD displeja.

**Lai atkārtotu visu dziesmu atskaņošanu**

1. Nospiediet programmēšanas/atmiņas/atkaņošanas režīma pogu atskaņošanas režīmā līdz brīdim, kad uz displeja iedegas simbols "R". Visas dziesmas uz diska tiks atskaņotas līdz pogas Stop nospiešanas brīdim.
2. Lai atceltu atkārtošanas funkciju, nospiediet programmēšanas/atmiņas/atkaņošanas režīma pogu līdz brīdim, kad simbols "R" pazūd no LCD displeja.

### Lai atkārtotu pašreizējo mapi (tikai MP3)

1. Nospiediet programmēšanas/atmiņas/atkaņošanas režīma pogu atkaņošanas režīmā, līdz uz displeja iedegas simbols "FOLDER". Pašreizējā mape tiks atkārtota līdz pogas Stop nospiešanas brīdim.
2. Lai atceltu atkārtošanas funkciju, nospiediet programmēšanas/atmiņas/atkaņošanas režīma pogu, līdz brīdim, kas simbols "FOLDER" pazūd no LCD displeja.

### Nejausā atkaņošana

Nospiediet programmēšanas/atmiņas/atkaņošanas režīma pogu atkaņošanas režīmā līdz brīdim, kas uz displeja iedegas simbols "RDM". Nejausā atkaņošana sākas automātiski no nākamās dziesmas līdz visu dziesmu atkaņošanas brīdim, pēc tam atkaņošana tiek apturēta.

Nospiediet vienu reizi programmēšanas/atmiņas/atkaņošanas režīma pogu, lai atceltu atkaņošanu.

### Iepriekšējā atkaņošana (Intro)

Nospiediet programmēšanas/atmiņas/atkaņošanas režīmu atkaņošanas režīmā līdz brīdim, kad uz displeja parādās līdz ekrānā tiek parādīts "INTRO". Dziesmu 10 sekunžu fragmentu atkaņošana un atrašana sākas automātiski. Lai atceltu iepriekšējo atkaņošanu, nospiediet programmēšanas/atmiņas/atkaņošanas režīma pogu līdz brīdim, kad no displeja pazūd simbols "INTRO".

### USB atbalsts

1. Nospiediet gaidstāves režīma/funkciju pogu, lai izvēlētos USB režīmu.
2. Pievienojiet USB zibatmiņu USB pieslēgvietai. Uz LCD displeja parādās USB zibatmiņā saglabāto dziesmu un mapju kopējo skaitu. Pēc USB zibatmiņas nolaišanās ierīce automātiski sāk atkaņošanu.
3. Nospiediet pogu Stop, lai apturētu atkaņošanu. Uz displeja parādās dziesmu USB zibatmiņā kopējais skaits.
4. Atkaņošanas ar atkārtošanu funkcijas (vienas dziesmas atkārtošana, mapes un visu dziesmu atkārtošana) ir aprakstītas nodalā "CD/MP3 ATBALSTS".

### Piezīme.

- Neizmantojiet USB pagarinātāju, lai pievienotu USB zibatmiņu USB pieslēgvietai, jo tas var radīt traucējumus.
- USB pieslēgvietā ir pieejama tikai mūzikas atkaņošana. Tā neatbalsta nekādas ārējās ierīces lādēšanas funkciju.
- Maksimālais atbalstāmās USB zibatmiņas apjoms ir 32 GB. USB pieslēgvietā ir paredzēts tikai mūzikas atkaņošanai. Lielākā daļa no MP3 datņu tiek atbalstīta, un nav iespējams atskaņot citus mūzikas formātus.
- Atkaņošana no viedtālruna, izmantojot USB kabeli, un šifrētas USB ierīces var netikt atbalstītas šajā ierīcē.

### Savienojuma AUX atbalsts

Ierīcē ir aprīkota ar 3,5 mm AUX ligzdu MP3 atskaņotāja un citu avotu pievienošanai, lai pastiprinātu skaņas signālu.

1. Nospiediet gaidstāves režīma/funkciju pogu, lai izvēlētos AUX režīmu.
2. Pievienojiet audio kabeli (neietilpst komplektā) AUX IN ligzdai un otru galu pievienojiet ārējā skaņas avota AUDIO OUT ligzdai. Ierīce automātiski pārslēdzas uz AUX režīmu.
3. Iestatiet vēlamo skaņuma līmeni šajā ierīcē.
4. Nospiediet atkaņošanas pogu uz audio signāla avota (piemēram, MP3 atskaņotāja), lai sāktu atkaņošanu.

### Specifikācija

Jauda: 100–240 V AC, ~60/50 Hz

DC 9 V UM-1 × 6 gab. (baterijas neietilpst komplektā)

Svars aptuveni 1,46 kg

Izmēri aptuveni 285 mm (A) × 213 mm (G) × 140 mm (D)

Darba temperatūra +5 °C – +45 °C

FM josla 87,5–108 MHz

Maksimālā atbalstītu USB atmiņu ietilpība ir 32 GB.

Lāzers 3 stari

Joslas platums 100 Hz–16 KHz

2 kanālu ierakstīšanas sistēma (stereo)

Bias DC System Bias

Joslas platums 125–6,3 KHz

Wow and flutter 0,35 % WRMS (JIS)

Izejas jauda 1,5 W × 2

Jaudas patēriņš 13 W

Jaudas patēriņš gatavības režīmā < 0,5 W

(Šī specifikācija var tikt izmainīta bez iepriekšēja paziņojuma.)

#### Competence Center

2N-Everpol Sp. z o.o.  
ul. Puławska 403A  
02-801 Warsaw, Poland  
phone: +48 22 331 99 59  
e-mail: [info@everpol.pl](mailto:info@everpol.pl)  
[www.blaupunkt.com](http://www.blaupunkt.com)

W przypadku pytań lub problemów  
prosimy o kontakt z naszym serwisem.  
In case of questions or problems  
please contact our service.  
Tel. 00 48 22 331 99 53  
E-mail: [info@blaupunkt-audio.pl](mailto:info@blaupunkt-audio.pl)

Wszelkie prawa zastrzeżone. Wszystkie nazwy marek są zarejestrowanymi  
znakami towarowymi należącymi do odpowiednich podmiotów.  
Dane i parametry techniczne mogą ulec zmianie bez wcześniejszego uprzedzenia.

All rights reserved. All brand names are registered trademarks of their  
respective owners. Specifications are subject to change without prior notice.

A dark blue rectangular box containing the slogan "Enjoy it." in a white, italicized, sans-serif font.

*Enjoy it.*