



DEFENSOR SERIES

GAMING CHAIR

ASSEMBLY DRAWING

部件图示, 部件圖示



Discover the Defensor gaming chair, offering ample support with its spacious design. Choose from PVC leather, woven fabric, or imitation linen upholstery. Enjoy our PushBack lumbar support system and a magnetic neck pillow cushion. The 4D folding armrests maximize space, while the back pocket keeps essentials close at hand. Experience comfort and convenience in one chair.

Defensor 电竞椅以其宽敞的座位空间和更全面的支撑性为特点。共三种材质选择 - PVC 皮革、编织布料或亚麻布。全新 PushBack 腰部支撑系统和磁吸式颈枕提供优异支撑。而 4D 可折叠扶手则增加了坐姿伸展空间。此外，椅背口袋方便收纳必需品，让您享受完整的舒适和便利体验！

Defensor 電競椅以其寬敞的座位空間和更全面的支撐性為特點。共三種材質選擇 - PVC 皮革、編織布料或亞麻布。全新 PushBack 腰部支撐系統和磁吸式頸枕提供優異支撐。而 4D 可折疊扶手則增加了坐姿伸展空間。此外，椅背口袋方便收納必需品，讓您享受完整的舒適和便利體驗！

FEATURES 产品特点, 產品特點

ENGLISH

- Spacious design provides wider support area.
- Three upholstery options: PVC leather, woven fabric, imitation linen.
- PushBack Lumbar Support System.
- Magnetic neck pillow cushion.
- 4D folding armrest allows more space.
- Convenient back pocket keeps essentials handy.

DEUTSCH

- Geräumiges Design bietet einen größeren Stützbereich
- Drei Polsteroptionen: PVC-Leder, gewebter Stoff, Leinenimitat
- PushBack-Lendenwirbelstützsystem
- Magnetisches Nackenkissen
- Die 4D-Klapparmlehne ermöglicht mehr Platz
- In der praktischen Gesäßtasche sind wichtige Dinge immer griffbereit

РУССКИЙ

- Просторный дизайн обеспечивает более широкую зону поддержки.
- Три варианта обивки: кожа ПВХ, ткань, имитация льна.
- Система поясничной поддержки PushBack.
- Магнитная подушка для шеи.
- Складной подлокотник 4D обеспечивает больше места.
- Удобный задний карман позволяет держать все необходимое под рукой.

FRANÇAIS

- La conception spacieuse offre une zone de support plus large
- Trois options de revêtement : cuir PVC, tissu tissé, imitation lin
- Système de soutien lombaire PushBack
- Coussin d'oreiller magnétique pour le cou
- L'accoudoir rabattable 4D permet plus d'espace
- La poche arrière pratique permet de garder les essentiels à portée de main

PORTUGUÊS

- O design espaçoso oferece uma área de suporte mais ampla
- Três opções de estofamento: couro PVC, tecido, imitação de linho
- Sistema de suporte lombar PushBack
- Almofada magnética para pescoço
- Apoio de braço dobrável 4D permite mais espaço
- O prático bolso traseiro mantém os itens essenciais à mão

KOREAN

- 넓은 디자인으로 더 넓은 지원 영역 제공.
- 세 가지 실내 장식 옵션: PVC 가죽, 우븐 패브릭, 모조 리넨.
- 푸시백 요추 지지 시스템.
- 자석 목 베개 쿠션.
- 4D 접이식 팔걸이로 더 많은 공간 확보.
- 편리한 뒷주머니로 필수품을 편리하게 보관할 수 있습니다.

日本語

- 広々としたデザインで広いサポートエリアを提供
- 3つの張地オプション: PVCレザー、織布、模造リネン
- プッシュバックランバーサポートシステム
- マグネットネックピロークッション
- 4D折りたたみ式アームレストにより、より多くのスペースを確保
- 必需品をすぐに収納できる便利な背面ポケット

簡中

- 大尺寸设计提供宽阔支撑区域
- 三种面料选择: PVC 皮革、编织布料、亚麻布
- PushBack 腰部支撑系统
- 磁吸式颈枕
- 4D 可折叠扶手提供宽敞空间
- 椅背口袋收纳使必需品方便取得

繁中

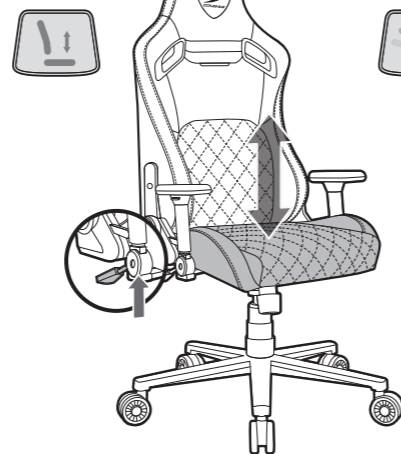
- 大尺寸設計提供寬闊支撐區域
- 三種面料選擇: PVC 皮革、編織布料、亞麻布
- PushBack 腰部支撐系統
- 磁吸式頸枕
- 4D 可折疊扶手提供寬敞空間
- 椅背口袋收納使必需品方便取得

ESPAÑOL

- El diseño espacioso proporciona un área de soporte más amplia
- Tres opciones de tapizado: piel PVC, tejido, imitación lino.
- Sistema de soporte lumbar PushBack
- Cojín magnético para el cuello.
- El reposabrazos plegable 4D permite más espacio
- El práctico bolsillo trasero mantiene lo esencial a mano

Seat Height Lift

椅座高度調整
椅座高度調整



Angle Adjustor

椅背傾仰調整
椅背傾仰調整



Tilting

搖椅功能



4D Folding Armrest

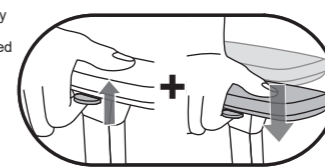
4D 可調式折迭扶手 / 4D 可調式摺疊扶手

Step 1

Hold the switch upwards and simultaneously press the armrest down all the way. At this point, the armrest unlocks and can be rotated backward.

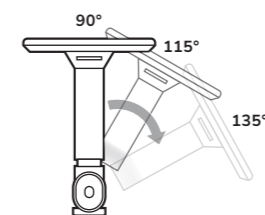
向上按住開關，並同時按壓扶手面下壓到底。此時扶手解開鎖定可向後轉動。

向上按住開關，並同時按壓扶手面下壓到底。此時扶手解開鎖定可向後轉動。



Step 2

3 position lock.
3段角度位置鎖定
3段角度位置鎖定



Step 3

Position to the designated point, then gently lift the handle and click to lock in place.

位置到定點後輕提扶手面喀嗒，即為鎖定。

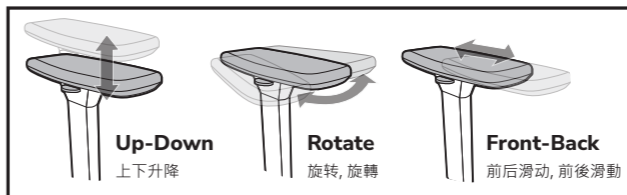
位置到定點後輕提扶手面喀嗒，即為鎖定。



Please make sure that the armrest is locked in place to prevent it from tilting backward when your arm is resting on it.

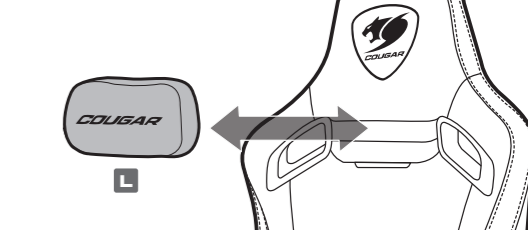
請務必確保扶手為鎖定狀態，以避免手臂支撐扶手時，扶手向後傾倒。

請務必確保扶手為鎖定狀態，以避免手臂支撐扶手時，扶手向後傾倒。



Magnetic Neck Pillow Cushion

磁吸式記憶頸枕
磁吸式記憶頸枕



PushBack Lumbar Support System

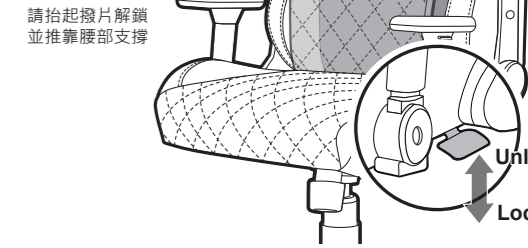
PushBack 腰部支撐系統
PushBack 腰部支撐系統

How to retract the lumbar support

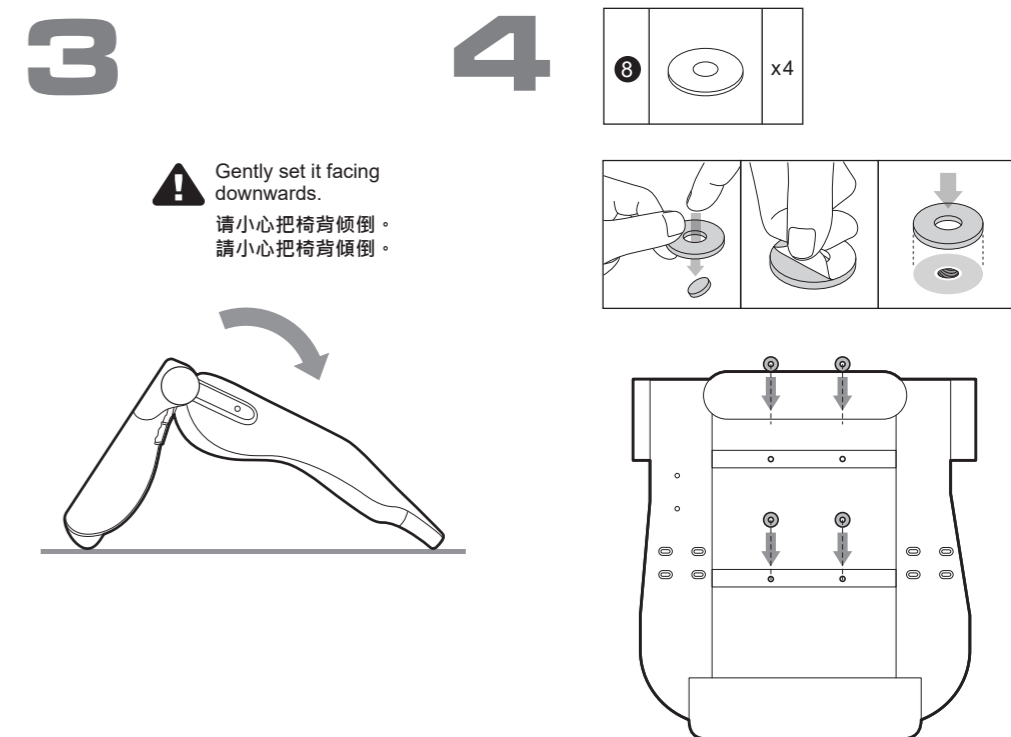
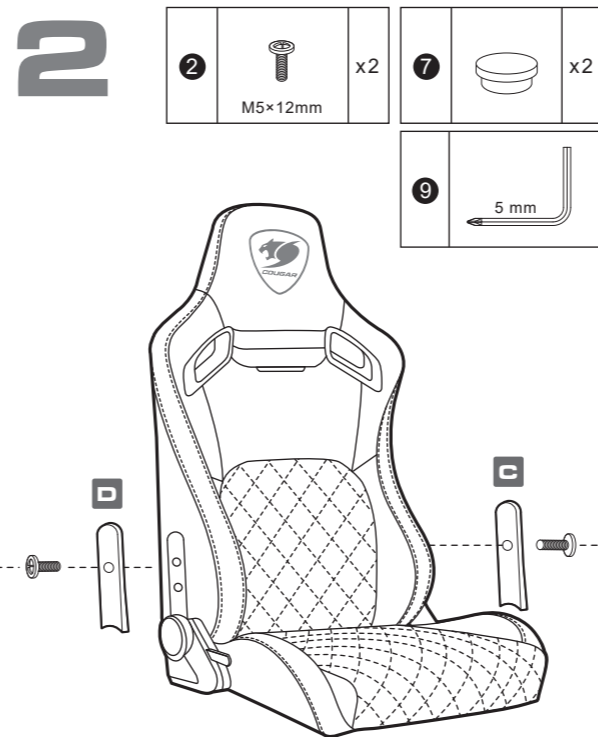
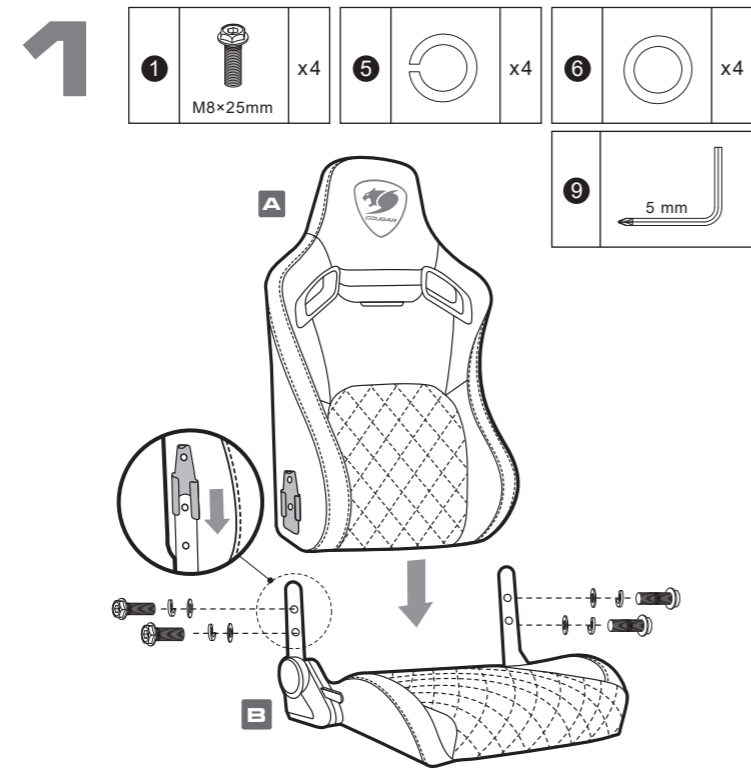
如何收回腰部支撐
如何收回腰部支撐

Please lift the paddle to unlock and push against the lumbar support.

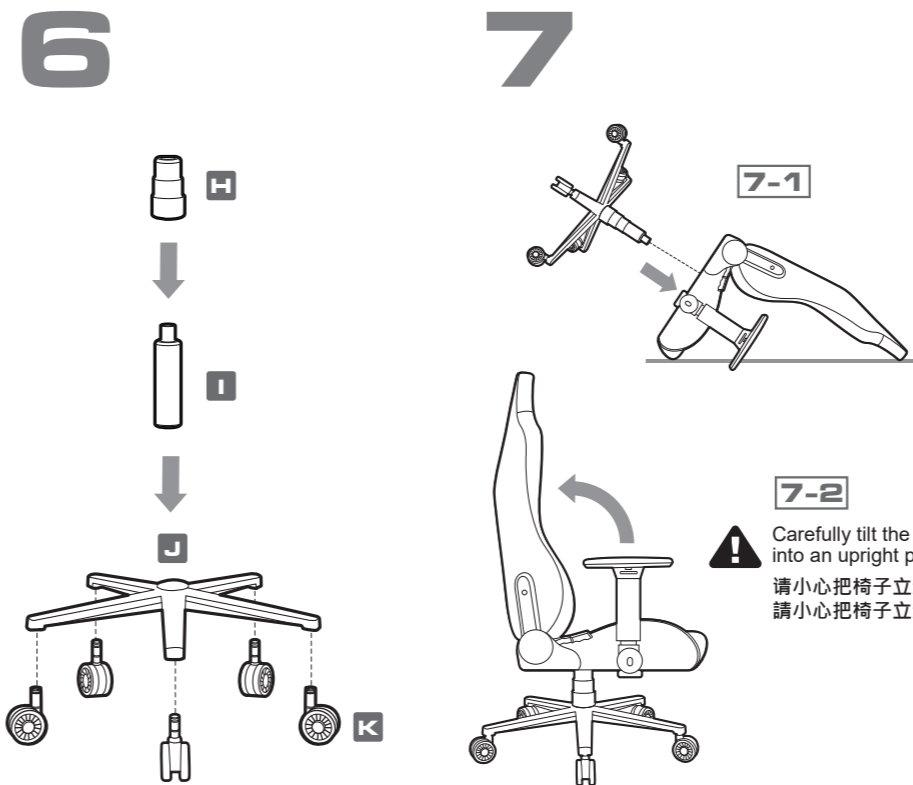
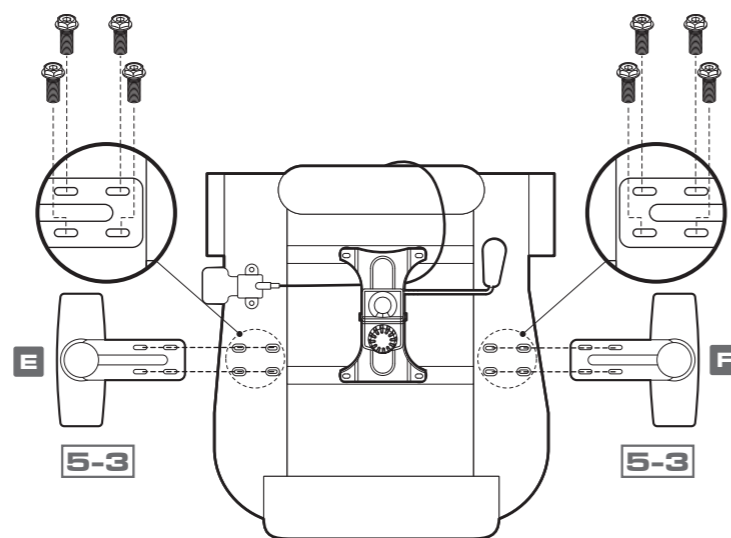
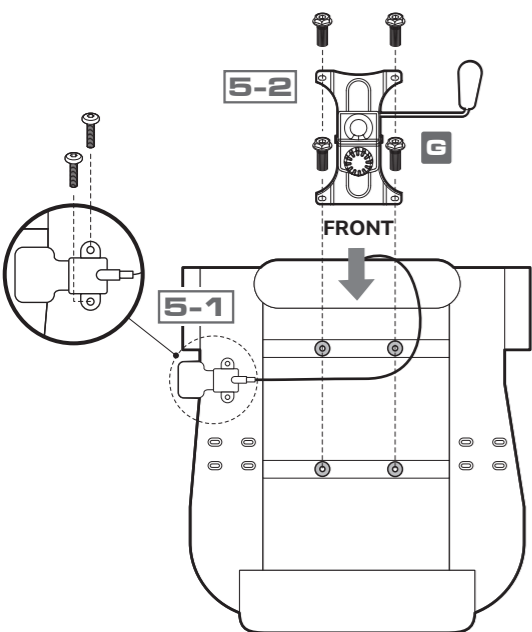
請抬起撥片解鎖並推靠腰部支撐



1 M8×25mm x4	2 M5×12mm x2	3 M8×20mm x12
4 M6×16mm x2	5 x4	6 x4
7 x2	8 x4	9 5 mm x1



5	3 M8×20mm x12	4 M6×16mm x2	9 5 mm
----------	----------------------------	---------------------------	------------------



MANUFACTURER CONTACT

制造商联系方式, 製造商聯繫方式

COUGAR COUGAR USA Technical Service
Tel: (833) 256-3778
www.cougargaming.com Mail:rma@compucaseusa.com



Compucase Enterprise Co.,Ltd.
All rights reserved. Made in China

Official website

Maximum stationary weight capacity 150kg. Please do not place any body or object above 150kg on this chair. From spaces in which it could get caught or be injured.

本产品最大承受重量150公斤。请勿将150公斤以上的物体放在椅子上。 本产品最大承受重量150公斤。請勿將150公斤以上的物體放在椅子上。

DISTRIBUTOR



ДАТА ИЗГОТОВЛЕНИЯ ПРОДУКЦИИ
год и месяц изготовления продукции указаны в серийном номере продукта. (существует 2 способа определения даты изготовления, оба способа описаны ниже)

A После S/N: первые две цифры означают год, вторые две – месяц изготовления. Например, S/N: H1702000001 означает, что товар был произведен в феврале 2017 года.

B После S/N: если указаны буквы, то две буквы представляют цифры из таблицы ниже, и означают год, следующие две цифры – месяц изготовления. Например, S/N: DAG02REV1000001 означает, что товар был произведен в феврале 2017 года.

A	B	C	D	E	F	G	H	I	J
1	2	3	4	5	6	7	8	9	0

• Например, AG = 17 = 2017 год

GLOBAL WARRANTY POLICY

全球保固条款, 全球保固條款

WARRANTY PERIODS OF COUGAR GAMING DEVICES

Product : COUGAR DEFENSOR Gaming Chair
Warranty : Please refer to our official website.
(https://cougargaming.com/us/support/warranty/)
保固政策 : 中国地区购买, 请参考中国地区官方网站。
(http://cougargaming.com.cn/support/warranty/)



詳細保固條件
請掃描QR Code

This warranty gives you specific legal rights. You may also have other rights granted under local law. These rights may vary.

WARRANTY AGREEMENT

If the product has defects in material or manufacture, COUGAR will provide product repair and replacement service within the warranty period.
Our warranty service is based on the date of the invoice or warranty card.

CONDITIONS WHERE FREE MAINTENANCE IS NOT PROVIDED

- Any fault or damage caused by natural disasters (including storm, fire, flood, thunder, earthquake, etc).
- Any fault or damage caused by accidental factors and man-made reasons (including hit, scrape, crash, moving, compression, stain, corrosion, riot, misuse, malicious damage, etc).
- Use in an improper operating environment (including high temperature, high humidity, water inflow, etc).
- Inability to provide the product warranty card, purchase receipt or invoice to prove the product is still within the warranty period and the shipping date of the product is out of warranty.
- The warranty card has been altered or its number is hard to identify.
- The warranty period has expired.

- Any fault or damage caused by non-compliance with regulations stated on the user manual or improper, rough and careless treatment.
- COUGAR is not liable for any damage of life and limb or damage or loss of property caused by or during COUGAR products' use as or with medical equipment, military equipment, traffic equipment and disaster prevention systems.
- COUGAR's warranty liability is limited to repair or replacement. The decision on whether to repair or replace belongs exclusively to COUGAR.
- COUGAR is, to the extent not prohibited by law, not liable for any damages; expenses; lost data, revenues, savings or profits; or any incidental or consequential damages happened while the use of a defective product from COUGAR or due to its use.

DISCLAIMERS

COUGAR products should not be used as critical components in life support devices.
COUGAR is not liable for any damage of life and limb or damage or loss of property caused by or during COUGAR products' use as or with medical equipment, military equipment, traffic equipment and disaster prevention systems.
COUGAR's warranty liability is limited to repair or replacement. The decision on whether to repair or replace belongs exclusively to COUGAR.
COUGAR is, to the extent not prohibited by law, not liable for any damages; expenses; lost data, revenues, savings or profits; or any incidental or consequential damages happened while the use of a defective product from COUGAR or due to its use.

LEGAL NOTICES

This manual was created by Compucase Enterprise and may not be completely or partially copied, passed on, distributed or stored without written consent by Compucase Enterprise.
COUGAR® is a registered brand of Compucase Enterprise. Other product and company names mentioned in this documentation may be brands or trademarks of their respective owners.
Compucase Enterprise reserves the right to make changes concerning the contents of the manual and the technical data of the product without previous announcement.

WARNING

- To adjust the chair height, gently pull the lever up. Do not use excessive force to pull the lever.
- Please wear protective gloves when assembling the chair. It is your own responsibility to use appropriate protection to prevent any physical damage.
- When rocking the chair, using it in any other way or adjusting the height, inclination, position or balance of the chair or any of its components, please pay attention to your hand's position and keep it away from spaces in which it could get caught or be injured.
- Do not make fast or violent movements when the chair is in movement.
- Do not touch any of the chair's adjustment controls to prevent affecting its stability and causing a potentially dangerous fall.
- When reclining the chair to its full extent, set the related control level in lock position and keep both feet on the ground, as well as abstain from any violent, rough or strong movement which could cause the chair to tip over.
- Keep in mind that this chair is designed only for sitting and reclining, and that it should be used only for those uses.
- Do not sit on the edge of the chair or the arm rests.
- Do not place the chair in a location in which it is likely to be subjected to prolonged sunlight exposure.
- The product's colors might fade when exposed to sunlight.
- Do not use abrasive products or scrub energetically when cleaning. Please stick to gentle products suitable for delicate materials.
- All parts should be checked monthly to confirm their integrity and to make sure that the screws are not loose.
- If any part of the product is or appears to be damaged, missing or loose, please contact the local distributor and do not use the product.

